

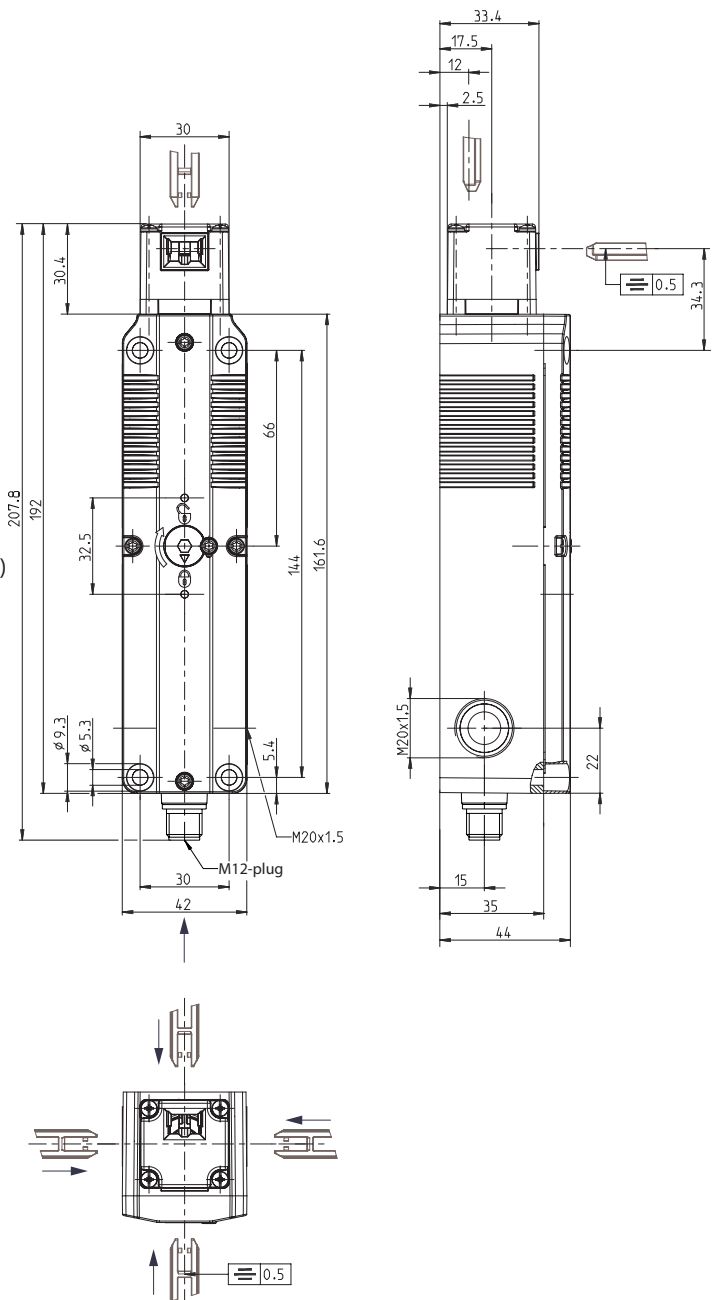
Safety switch Series SLC

Description **SLC-F-024-10/20-R4-01**

Article number **6018200018**

Position monitoring	
<p>Actuator inserted Protective device interlocked and guard locked</p> <p>without current</p>	<p>Actuator inserted Protective device interlocked and not guard locked</p> <p>with current</p>
<p>Pin 8- E1 E2 -Pin 7 Pin 2- 11 12 -Pin 5 -- 21 22 -- Pin 6- 31 32 -Pin 3 Pin 1- 41 42 -Pin 4</p>	<p>Pin 8- E1 E2 -Pin 7 Pin 2- 11 12 -Pin 5 -- 21 22 -- Pin 6- 31 32 -Pin 3 Pin 1- 41 42 -Pin 4</p>
<p>Actuator withdraw Protective device not interlocked and not guard locked</p> <p>with or without current</p>	<p>Plug (In the direction of the arrow)</p>
<p>Pin 8- E1 E2 -Pin 7 Pin 2- 11 12 -Pin 5 -- 21 22 -- Pin 6- 31 32 -Pin 3 Pin 1- 41 42 -Pin 4</p>	

The actuator is not included in the scope of delivery. It can only be purchased in conjunction with the safety switch.



Electrical data	
Protection class	II, totally insulated
Contact elements	
Rated insulation voltage	U_i 30 V
Rated impulse withstand voltage	U_{imp} 800 V
Rated operational voltage	U_e 24 V AC / DC
Conv. thermal current	I_{the} 2 A
Utilization category acc. to IEC	DC-13, U_e / I_e 24 V / 1,5 A
Utilization category acc. to UL / CSA	B300 R300 general use M12 connector 24 V / 1,5 A
Direct opening action	⊖ according to IEC/EN 60947-5-1, Annex K
Short-circuit protective device	2 A gG
Rated conditional short-circuit current	400 A
Electro magnet	
Duty cycle	100 % ED (at E1; E2)
Temperature class	F (155 °C)
Permanent power consumption	6,7 VA (W)
Switch operations permanent	600 / h
Operating voltage	24 V AC / DC (+10 % / -15 %)

Mechanical data	
Enclosure	Thermoplastic, glass fibre reinforced (UL 94-V0)
Cover	Thermoplastic, glass fibre reinforced (UL 94-V0)
Actuating head	Thermoplastic, glass fibre reinforced / Zn-GD
Actuator	Separate actuator
Minimum actuating radius	R_{min} see separate actuators data sheet
Velocity for actuating	V_{max} 0,5 m/s
Extraction force	≥ 27 N
Interlocking principle	Spring force
Unlocking	a) magnetic force b) auxiliary release from front and back side
Hold on force	F_{Zh} 1500 N (EN ISO 14119)
Ambient air temperature	-25 °C ... +55 °C
Contact type	Interlock: 1 NC Guard lock: 2 NC
Switching principle	4 slow make and break contact elements
Mechanical life	1 x 10 ⁶ switching cycles
Assembly	4 x M5
Connection	Plug connector, M12-plug, 8-pin, A-coded, DIN EN 61076-2-101
Conductor cross-sections	0,34 ... 1,5 mm ² flexible
Cable entrance	2 x M20 x 1,5
Weight	≈ 0,50 kg
Installation position	operator definable
Protection type	IP67 acc. to IEC/EN 60529 ; (UL 50 E / CSA C22.2) Type 6 indoor use

ID for safety engineering	
B10d	2 x 10 ⁶ cycles

Standards	
	DIN EN 60947-5-1
	UL 508 18th Edition, CSA-C22.2 No.14-18
	GS-ET-19 (DGUV)
	DIN EN ISO 14119
	DIN EN ISO 13849-1

EU Conformity	
	acc. to directive 2006/42/EC (Safety-of-Machinery-Directive)

Approvals		
	DGUV	(in preparation)
	cCSA _{US}	(in preparation)
	CCC	

Notes
<p>The degree of protection specified (IP code) applies only to a properly closed cover and the use of an equivalent connector and when required the use of an equivalent cable gland with adequate cable.</p> <p>The connector and the cable (fix or flexible mounted) must at least be suitable for the described ambient air temperatures.</p> <p>The connector must not be connected or disconnected when voltage is applied.</p> <p>The mechanical life of the connector is 100 connection cycles.</p> <p>Suitable connector and cable must be used to meet approval requirements.</p> <p>The switch may not be used as a mechanical stop.</p> <p>When power is removed from the electromagnet (solenoid) the safety guard will be in locked position.</p>