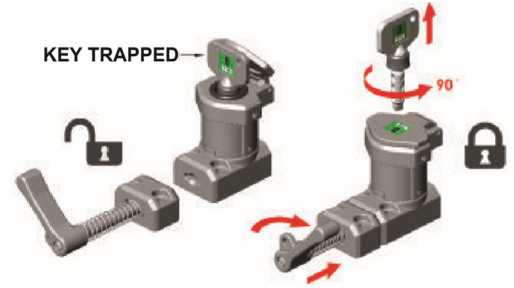


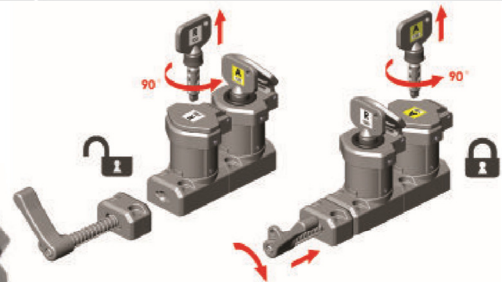
Sales Number	HANDLE INTERLOCK SINGLE KEY DIE CAST METAL (Mirror Finish)
M-HS	Key trapped - actuator unlocked (spring action handle)
M-HS-C	Key trapped - actuator unlocked (chain fixed to handle)
Sales Number	HANDLE INTERLOCK SINGLE KEY STAINLESS STEEL 316
SS-HS	Key trapped - actuator unlocked (spring action handle)
SS-HS-C	Key trapped - actuator unlocked (chain fixed to handle)



Sales Number	HANDLE INTERLOCK DUAL KEY STAINLESS STEEL 316
SS-HD-11	2 sequential keys - one key trapped one key free - actuator unlocked (spring action handle)
SS-HD-C-11	2 sequential keys - one key trapped one key free - actuator unlocked (chain fixed to handle)



Sales Number	HANDLE INTERLOCK DUAL KEY DIE CAST METAL (Mirror Finish)
M-HD-11	2 sequential keys - one key trapped one key free - actuator unlocked (spring action handle)
M-HD-C-11	2 sequential keys - one key trapped one key free - actuator unlocked (chain fixed to handle)





# Trapped Key Handle Interlocks – Types HS HD

## Operating Instructions

READ AND UNDERSTAND THESE INSTRUCTIONS BEFORE INSTALLING, OPERATING, OR MAINTAINING THIS EQUIPMENT.

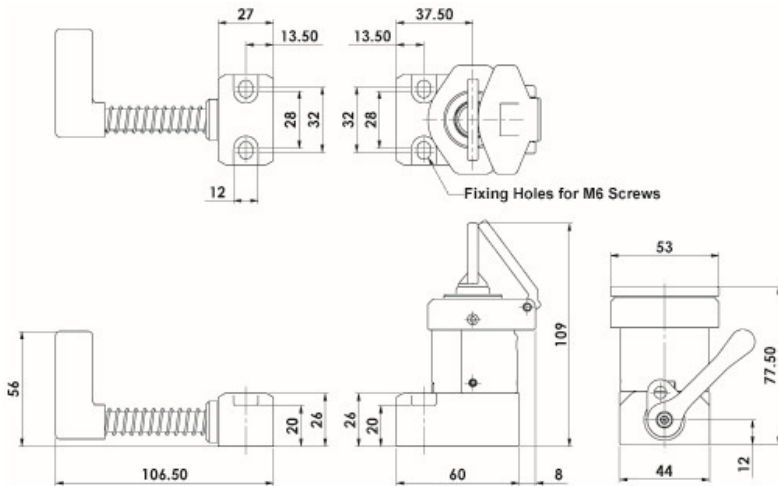
The product is designed to be a component of a customized safety oriented control system. It is the responsibility of the user to ensure the correct overall functionality of its systems and machines. IDEM, its subsidiaries and affiliates, are not in a position to guarantee all of the characteristics of a given system or product not designed by IDEM.

**INSTALLATION:** Installation must only be carried out by competent personnel and in accordance with these instructions. Always use correct size metal mounting bolts (M6). Tightening torque 2Nm. Ensure that the holding force is sufficient to withstand the static forces applied during normal use and dynamic effects caused by bouncing of the guard shall not create an impact reaction force which exceeds the holding force. If the expected impact reaction forces are higher than the specified holding force for the switch, then design measures must be applied to avoid the force.

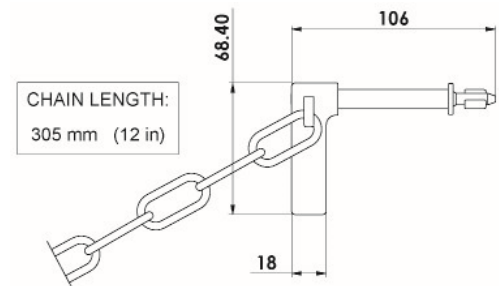
**WARNING:** FOR CHAIN VERSIONS, THE DESIGN OF THE GUARD MUST ENSURE THAT WHEN THE HANDLE IS WITHDRAWN IT CAN ONLY RETURNED TO THE LOCK POSITION WHEN THE GUARD IS IN THE PROTECTED POSITION. IT MUST NOT BE POSSIBLE TO ACCESS THE HAZARD WHILST THE GUARD IS CLOSED AND THE HANDLE IS IN PLACE.

**MAINTENANCE:** Every month: If the key, housing or handle display signs of mechanical damage then remove and replace. IDEM will not accept responsibility for failure of the interlock functions if the installation and maintenance requirements are not implemented. THESE INSTRUCTIONS FORM PART OF THE PRODUCT WARRANTY.

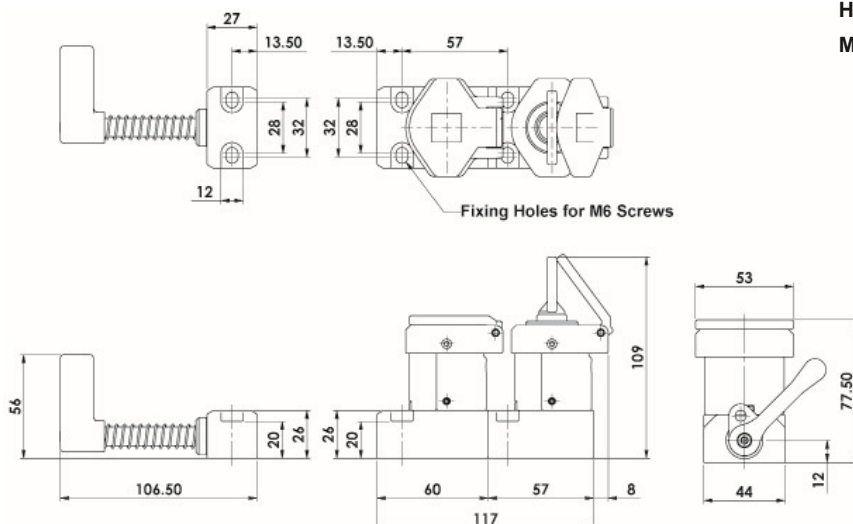
### Handle Interlock Model HS



### Handle with Chain



### Handle Interlock Dual Key Model HS-11



### TECHNICAL SPECIFICATIONS

- Body Material: Stainless steel or die cast
- Operating Temperature: -25C. to +50C.
- Holding Force: 4000N. (F1max.) 3076N. (Fzh)
- Mechanical Life (B10d) : 200,000 cycles