

ABE9C1281M

IP67 passive splitter box - with 8 channels M12 connector - Led



Main

Range of product	Advantys ABE9
Product or component type	IP67 passive splitter box
Number of channels	8
Electrical connection	1 male plug-in connector 8 female connectors M12 5 pins
Status LED	1 LED per channel yellow channel status 2 LEDs green power ON

Complementary

Number of ways	16 ways
[Ue] rated operational voltage	24 V DC
Current per channel	<= 4 A
Insulation group	Category 3 VDE 0110
Operating position	Any position
Fixing mode	M4 screw fixing
Contact resistance	5000 µOhm
Current of common	16 A 1 mm ² 12 A 0.75 mm ²
Separation of commons	Without or with
Product weight	0.1 kg

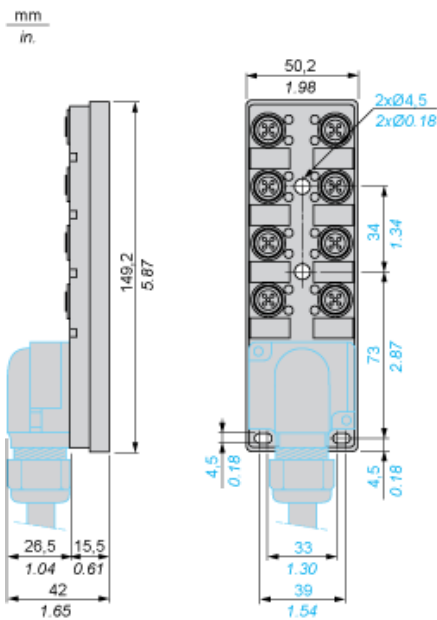
Environment

IP degree of protection	IP67 IEC 529
product certifications	CULus
ambient air temperature for operation	-20...80 °C
ambient air temperature for storage	-40...85 °C
vibration resistance	0.2 gn 57...150 Hz IEC 68-2-6, FC tests
shock resistance	30 gn 11 ms EN 68-2-2 30 gn 11 ms IEC 68-2-2

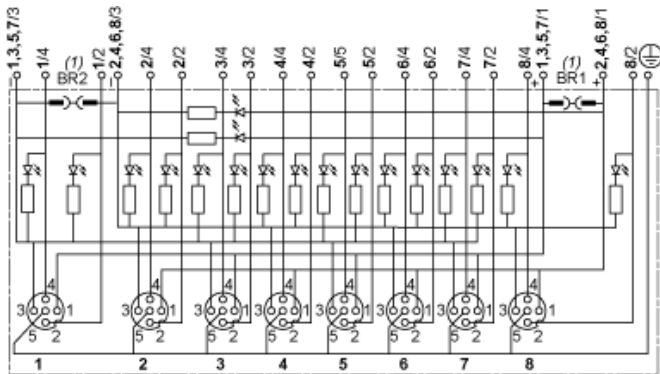
Contractual warranty

Warranty period	18 months
-----------------	-----------

Dimensions with ABE9XCA18•• Connector



Wiring Diagram



(1) BR1 and BR2: removable link

Item	Terminal	Wire
1/4	1	White
1/2	9	Grey/pink
2/4	2	Green
2/2	10	Red/blue
3/4	3	Yellow
3/2	11	White/green
4/4	4	Grey
4/2	12	Brown/green
5/4	5	Pink
5/2	13	White/yellow
6/4	6	Red
6/2	14	Yellow/brown
7/4	7	Black
7/2	15	White/grey
8/4	8	Violet
8/2	16	Grey/brown

1, 3, 5 & 7/1	+1	Brown 1
2, 4, 6 & 8/1	+2	Brown 2
1, 3, 5 & 7/3	-1	Blue 1
2, 4, 6 & 8/3	-2	Blue 2
1...8/5	PE	Green/yellow

Connection Terminals

