



RS stock numbers : 289-1319, 338-9700, 338-9716, 339-730, 725-9830, 725-9831, 726-9833, 725-9836, 725-9849, 756-4255, 845-976, 869-7560, 869-7654, 869-7573, 869-7576, 1242561, 1242562, 1242566, 1242567, 1242563, 1242565, 1242568, 1242569



RSF40 Series Compact Internal Fitting Float Switch



- **Compact design**
- **Flying Lead or M12 plug connection**
- **Available in Nylon, Polypropylene, PPS or PVDF**
- **25VA & 100VA versions**
- **Many variants are UL recognised**
- **components File No. E171218**
- **WRAS and NSF Approved versions available**

Technical Specification	RSF43	RSF44	RSF48	RSF46	RSF47
Material	Nylon	Polypropylene WRAS approved	Polypropylene UL approved	Polyphenylene Sulphide (PPS)	Polyvinylidene Fluoride (PVDF)
Colour	Black	Opaque	White	Grey	Green
Temp. Range °C	-20 / +75	-20 / +100	-20 / +100	-10 / +120 *	-10 / +105
°F	-4 / +167	-4 / +212	-4 / +212	+14 / +248 *	+14 / +221
Min. Fluid SG	0.85	0.85	0.80	0.85	0.85
Must close level (SG=1)	7mm	8mm	8mm	9mm	9mm
Must open level (SG=1)	20mm	20mm	20mm	24mm	24mm

* Maximum temperature requires ETFE cable to be specified.

Electrical Specification	25W (Y code)	100W (H code)
Contact Form	N/O (N/C)	N/O (N/C)
Switching Power Max	VA	25
Switching Voltage AC Max	V	240
Switching Voltage DC Max	V	120
Switching Current Max	A	0.6

All ratings are for resistive load only.

RS Stock No.	Standard Parts	Material	Max Power	Leadouts	Gasket	Approvals
725-9833	RSF43H100RF	Nylon	100VA	100cm PVC 16/0.2	Nitrile	WRAS
339-730	RSF43Y050QF	Nylon	25VA	50cm PVC 24/0.2	Silicone	WRAS
338-9700	RSF43Y100RF	Nylon	25VA	100cm PVC 16/0.2	Nitrile	WRAS
725-9836	RSF44H100RF	PP	100VA	100cm PVC 16/0.2	Nitrile	WRAS & NSF
845-976	RSF44Y050QF	PP	25VA	50cm PVC 24/0.2	Silicone	WRAS & NSF
	RSF44Y100RF	PP	25VA	100cm PVC 16/0.2	Nitrile	WRAS & NSF
725-9830	RSF46H050TG	PPS	100VA	50cm ETFE 19/0.2	Viton	UL & NSF
725-9849	RSF46H100RF	PPS	25VA	100cm PVC 16/0.2	Nitrile	WRAS, UL & NSF
289-1319	RSF46Y050TG	PPS	25VA	50cm ETFE 19/0.2	Viton	UL & NSF
338-9716	RSF46Y100RG	PPS	25VA	100cm PVC 16/0.2	Viton + Silicone	WRAS, UL & NSF
	RSF46Y100TG	PPS	25VA	100 cm ETFE 19/0.2	Viton	UL & NSF
	RSF46Y100RF	PPS	25VA	100cm PVC 16/0.2	Nitrile	WRAS, UL & NSF
1242561	RSF47Y100GF	PVDF	25VA	100cm PTFE 7/0.2	Nitrile	UL & NSF
1242562	RSF47H100GF	PVDF	100VA	100cm PTFE 7/0.2	Nitrile	UL & NSF
1242566	RSF47Y100GG	PVDF	25VA	100cm PTFE 7/0.2	Viton	UL & NSF
1242567	RSF47H100GG	PVDF	100VA	100cm PTFE 7/0.2	Viton	UL & NSF
756-4255	RSF48H100RF	PP (UL)	100VA	100cm PVC 16/0.2	Nitrile	UL
725-9931	RSF48Y100RF	PP (UL)	25VA	100cm PVC 16/0.2	Nitrile	UL
	RSF43HFP	Nylon	100VA	M12 connector	Nitrile	WRAS
869-7560	RSF43YFP	Nylon	25VA	M12 connector	Nitrile	WRAS
	RSF44HFP	PP	100VA	M12 connector	Nitrile	WRAS & NSF
869-7654	RSF44YFP	PP	25VA	M12 connector	Nitrile	WRAS & NSF
	RSF46HFP	PPS	100VA	M12 connector	Nitrile	WRAS, UL & NSF
869-7573	RSF46YFP	PPS	25VA	M12 connector	Nitrile	WRAS, UL & NSF
1242563	RSF47YFP	PVDF	25VA	M12 connector	Nitrile	UL & NSF
1242565	RSF47HFP	PVDF	100VA	M12 connector	Nitrile	UL & NSF
1242568	RSF47YGP	PVDF	25VA	M12 connector	Viton	UL & NSF
1242569	RSF47HGP	PVDF	100VA	M12 connector	Viton	UL & NSF
	RSF48HFP	PP (UL)	100VA	M12 connector	Nitrile	UL
869-7576	RSF48YFP	PP (UL)	25VA	M12 connector	Nitrile	UL

The RSF40 series is designed as a compact internal fitting device, with a wide range of options, making this ideal for size sensitive applications. Mounting of this series requires access to the inside of the tank.

Typical applications include vending machines, commercial washing machines and evaporator units.

They are manufactured in a variety of materials with a choice of gasket materials, to suit most commonly used liquids.

The switch action may be reversed by rotating the device through 180°.

Available with flying leads or M12 socket for electrical connection. Cable sets with M12 plugs are also available.

Custom versions can be made for particular applications.

Cynergy3 Components Ltd.
7 Cobham Road
Ferndown Industrial Estate
Wimborne, Dorset BH21 7PE
Telephone +44 (0) 1202 897969
Email:sales@cynergy3.com

ISO9001 CERTIFIED

RSF40 RS 2017



Made in the UK

www.cynergy3.com

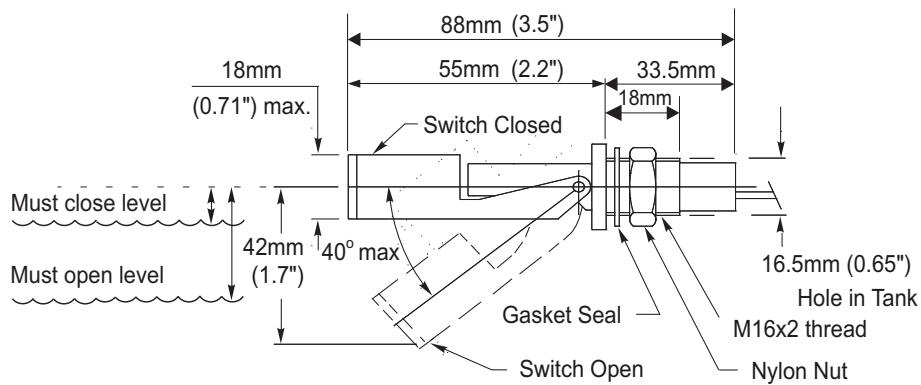
© 2017 Cynergy3 Components, All Rights Reserved. Specifications are subject to change without prior notice. Cynergy3 Components and the Cynergy3 Components logo are trademarks of Cynergy3 Components Limited.

RSF40 Series

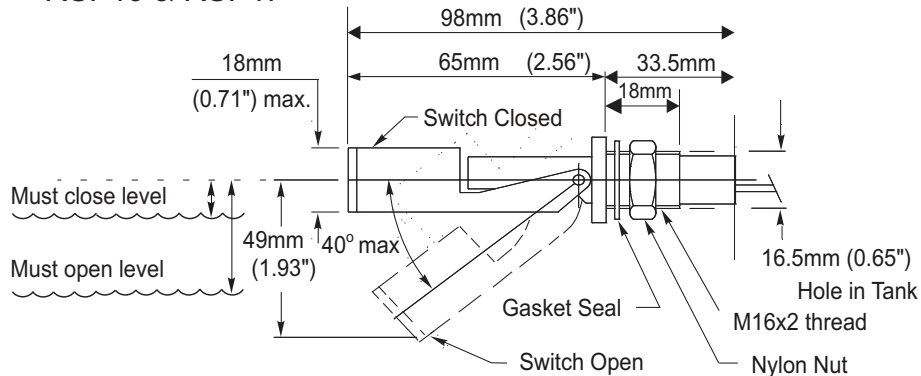
Compact Internal Fitting

Mechanical Dimensions

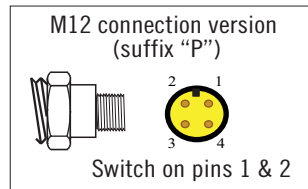
RSF43, RSF44 & RSF48



RSF46 & RSF47



Electrical Connections



Cynergy3 Components Ltd.
7 Cobham Road
Ferndown Industrial Estate
Wimborne, Dorset BH21 7PE
Telephone +44 (0) 1202 897969
Email: sales@cynergy3.com

ISO9001 CERTIFIED



www.cynergy3.com