



Main

| | |
|---------------------------|--|
| Range of product | OsiSense XM |
| Product or component type | Electronic pressure sensors |
| Pressure sensor type | Pressure transmitter |
| Pressure sensor name | XMLP |
| Electrical circuit type | Control circuit |
| Pressure sensor size | -1...0 bar |
| Local display | Without |
| Controlled fluid | Fresh water 0...125 °C Air -15...125 °C Gas -15...125 °C Hydraulic oil -15...125 °C |
| Fluid connection type | G 1/4A (male) conforming to DIN 3852-E |
| Electrical connection | Cable 2 m |
| [Us] rated supply voltage | 12...24 V DC SELV, voltage limits: 7...33 V |
| Current consumption | < 23 mA |
| Type of output signal | Analogue |
| Analogue output function | 4...20 mA, 2-wire |
| Quantity per set | Set of 1 |
| Type of packing | Individual |

Complementary

| | |
|---|--|
| Pressure setting range | -1...0 bar |
| Maximum permissible accidental pressure | 3 bar |
| Destruction pressure | 5 bar |
| Materials in contact with fluid | Fluorocarbon FPM Stainless steel AISI 316L Ceramic |
| Operating position | Any position |
| Protection type | Load short-circuit Reverse polarity |
| Electromagnetic compatibility | 1.2/50 µs shock waves immunity test conforming to EN/IEC 61000-4-5 - test level 1 kV (f = 42 Ohm) Immunity to magnetic fields conforming to EN/IEC 61000-4-8 - test level 100 A/m (f = 50 Hz) Electrical fast transient/burst immunity test conforming to EN/IEC 61000-4-4 - test level 4 kV Susceptibility to electromagnetic fields conforming to EN/IEC 61000-4-3 - test level 10 V/m (f = 80...1000 MHz) Radiated RF fields conforming to EN/IEC 61000-4-6 - test level 10 V (f = 0.15...80 MHz) Electrostatic discharge immunity test conforming to EN/IEC 61000-4-2 - test level 8 kV air, 4 kV contact |
| [Uimp] rated impulse withstand voltage | 0.5 kV |
| Response time on output | <= 2 ms for 10...90 % of full scale |
| Measurement accuracy | +/- 0.5 % of the measuring range |
| Resolution | 0.1 % of the measuring range |
| Drift of the sensitivity | +/- 0.02 % of measuring range/°K |
| Drift of the zero point | +/- 0.02 % of measuring range/°K |
| Long term stability | +/- 0.25 % of the measuring range |

| | |
|-----------------------|--------------------|
| Mechanical durability | >= 10000000 cycles |
| Product weight | 0.171 kg |
| Diameter | 26 mm |
| Length | 57 mm |

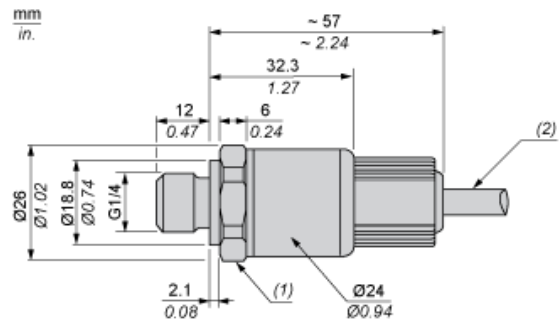
Environment

| | |
|---------------------------------------|---|
| Standards | NSF ANSI 61 EN/IEC 61326-2-3 |
| Product certifications | EAC RCM CE CULus |
| Ambient air temperature for operation | -30...85 °C |
| Ambient air temperature for storage | -50...100 °C |
| Vibration resistance | 20 gn (f = 10...2000 Hz) conforming to EN/IEC 60068-2-6 |
| Shock resistance | 100 gn for 11 ms conforming to EN/IEC 60068-2-27 |
| IP degree of protection | IP65 conforming to EN/IEC 60529 |

Offer Sustainability

| | |
|----------------------------------|--|
| Sustainable offer status | Green Premium product |
| RoHS (date code: YYWW) | Compliant - since 1541 - Schneider Electric declaration of conformity Schneider Electric declaration of conformity |
| REACH | Reference not containing SVHC above the threshold |
| Product environmental profile | Available Product Environmental |
| Product end of life instructions | Need no specific recycling operations |

Dimensions

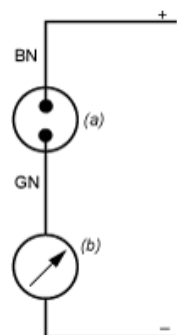


- (1) SW24 tightening torque ≤ 25 N.m / 221 lb-in
- (2) Cable

Connection and Schema

Wiring Diagram

2-Wire Technique (4-20 mA)



- (a) PVC cable
- (b) I out

Performance Curves

Curves

