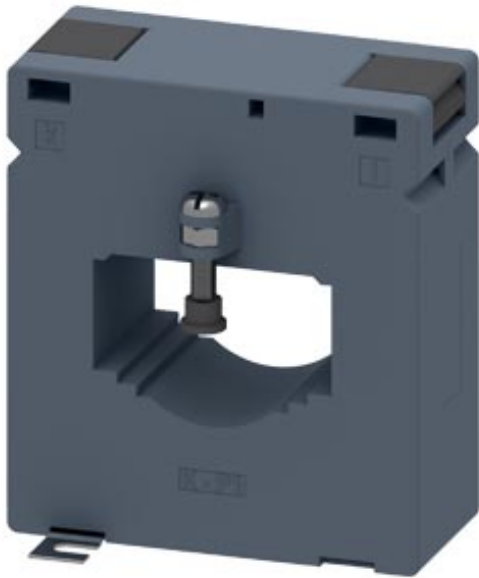


current transformer 2000/1 A 12.5 VA CL 1.0



| Model  |                                   |
|--|-----------------------------------|
| Product brand name   | SETRON                            |
| Product designation  | Current transformer               |
| Design of the product  | Bushing-type current transformers |
| Operating apparent output / rated value  | 12.5 V·A                          |
| Protection class   |                                   |
| Protection class IP  | IP20                              |
| <ul style="list-style-type: none"> <li>• Ratio of input current/output current</li> <li>• Current / at output / rated value</li> <li>• Current / at input / rated value</li> </ul> | 2000/1<br>1 A<br>2 000 A          |
| Accuracy class / of the current transformer  | class 1                           |
| Product feature / Touch protection   | Yes                               |
| Connections  |                                   |
| Type of electrical connection / at output  | screw-type terminals              |
| Mechanical Design  |                                   |
| Height   | 127.5 mm                          |
| Height of the opening  | 36 mm                             |
| Width  | 112 mm                            |

|   |              |
|---|--------------|
| Width   |              |
| <ul style="list-style-type: none"> <li>• of the push-through bus bar / at 1 bus bar / maximum</li> </ul>          | 64 mm        |
| <ul style="list-style-type: none"> <li>• of the push-through bus bar / in case of 2 bus bars / maximum</li> </ul> | 51 mm        |
| <ul style="list-style-type: none"> <li>• of the push-through bus bar / in case of 3 bus bars / maximum</li> </ul> | 64 mm        |
| Depth   | 77 mm        |
| Mounting type   | screw fixing |
| Outer diameter / of the push-through conductor / maximum  | 41 mm        |
| Net weight  | 1 105 g      |

#### Environmental conditions

|  |        |
|--|--------|
| Ambient temperature  |        |
| <ul style="list-style-type: none"> <li>• during operation / minimum</li> </ul> | -30 °C |
| <ul style="list-style-type: none"> <li>• during operation / maximum</li> </ul> | 55 °C  |

#### Certificates

|   |   |
|---|---|
| Reference code / acc. to DIN EN 61346-2 | T |
|---|---|

#### Declaration of Conformity



EG-Konf.

#### Further information

##### Information- and Downloadcenter (Catalogs, Brochures,...)

<http://www.siemens.com/lowvoltage/catalogs>

##### Industry Mall (Online ordering system)

<https://mall.industry.siemens.com/mall/en/en/Catalog/product?mlfb=4NC5438-0CJ21>

##### Service&Support (Manuals, Certificates, Characteristics, FAQs,...)

<https://support.industry.siemens.com/cs/ww/en/ps/4NC5438-0CJ21>

##### Image database (product images, 2D dimension drawings, 3D models, device circuit diagrams, ...)

[http://www.automation.siemens.com/bilddb/cax\\_en.aspx?mlfb=4NC5438-0CJ21](http://www.automation.siemens.com/bilddb/cax_en.aspx?mlfb=4NC5438-0CJ21)

##### CAX-Online-Generator

<http://www.siemens.com/cax>

##### Tender specifications

<http://www.siemens.com/specifications>

