

Residual-current transformer for residual current monitoring Bushing opening 140 mm Residual current 30 mA...40 A



Figure similar

General technical data:	
Product designation	Residual current transformer for fault current monitoring
Product feature Touch protection	Yes
Type of electrical connection at output	screw-type terminals
Operating voltage rated value maximum	690 V
Continuous current per phase maximum	500 A
Fault current at input rated value	40 A
Surge voltage resistance rated value	6 kV
Reference identifier acc. to DIN EN 81346-2	B
Reference identifier acc. to DIN 40719 extended according to IEC 204-2 acc. to IEC 750	T
Reference identifier acc. to DIN EN 61346-2	B

Connections/ Terminals:	
Type of connectable conductor cross-sections	
<ul style="list-style-type: none"> <li>• solid</li> </ul>	1x (0.5 ... 2.5 mm <sup>2</sup> )
<ul style="list-style-type: none"> <li>• finely stranded</li> <li style="padding-left: 20px;">— with core end processing</li> </ul>	1x (0.5 ... 1.5 mm <sup>2</sup> )

- at AWG conductors
  - solid

1x (20 ... 13)

#### Ambient conditions:

<b>Ambient temperature</b>	
• during transport	-25 ... +60 °C
• during operation	-25 ... +60 °C
• during storage	-40 ... +85 °C
<b>Relative humidity during operation</b>	95 %
<b>Installation altitude at height above sea level</b>	2 000 m

#### Installation/ mounting/ dimensions:

<b>Diameter of feed through opening</b>	140 mm
<b>Width</b>	201 mm
<b>Height</b>	64 mm
<b>Depth</b>	207.5 mm
<b>Mounting position</b>	standing, on horizontal mounting surface
<b>Mounting type</b>	screw fixing
<b>Tightening torque with screw-type terminals</b>	0.5 ... 0.6 N·m
<b>Tightening torque [lbf·in] with screw-type terminals</b>	4.4 ... 5.3 lbf·in

#### Certificates/ approvals:

General Product Approval	Declaration of Conformity	Test Certificates	other
 CCC	 UL	 EAC	 EG-Konf.
		<a href="#">Special Test Certificate</a>	<a href="#">Confirmation</a>

#### Further information

**Information- and Downloadcenter (Catalogs, Brochures,...)**

<http://www.siemens.com/industrial-controls/catalogs>

**Industry Mall (Online ordering system)**

<http://www.siemens.com/industrymall>

**Cax online generator**

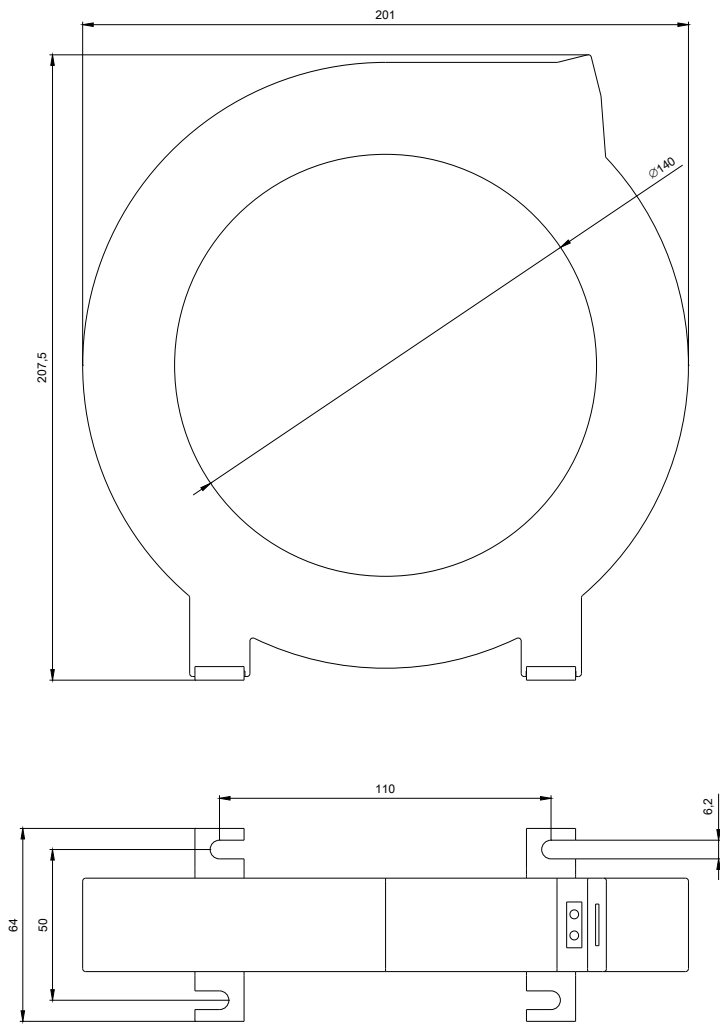
<http://support.automation.siemens.com/WW/CAXorder/default.aspx?lang=en&mlfb=3UL2306-1A>

**Service&Support (Manuals, Certificates, Characteristics, FAQs,...)**

<https://support.industry.siemens.com/cs/ww/en/ps/3UL2306-1A>

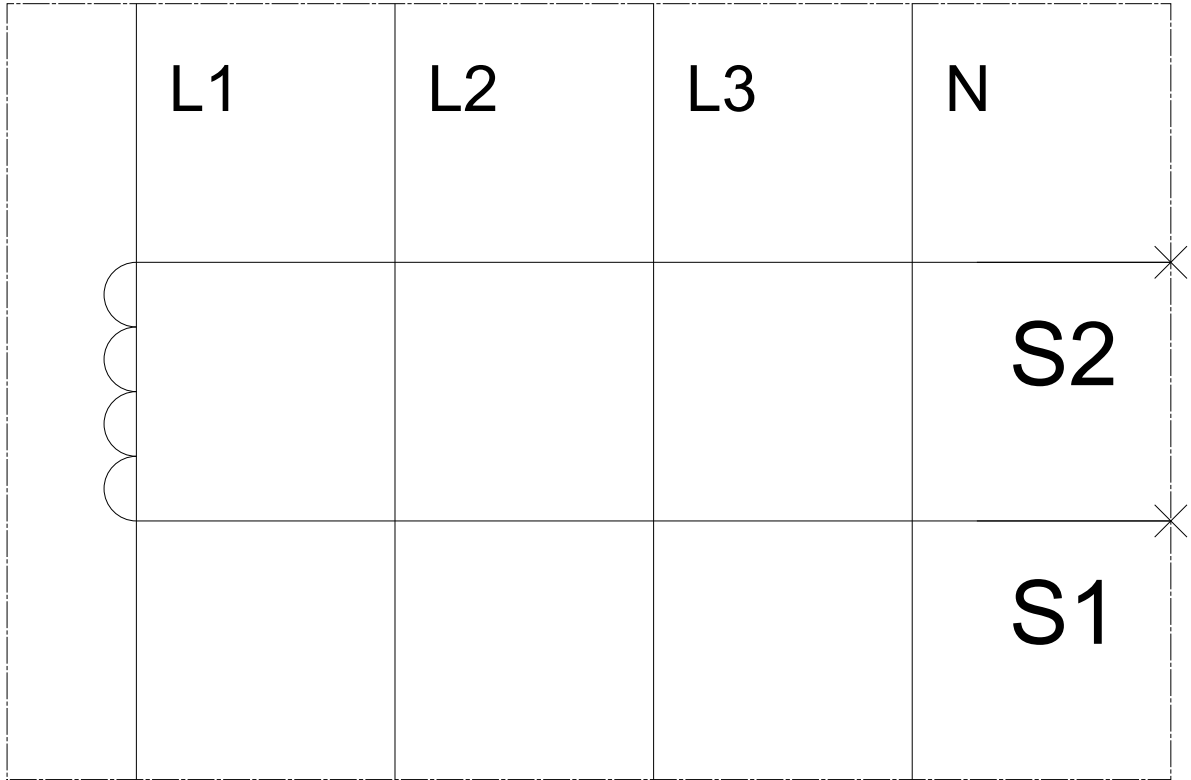
**Image database (product images, 2D dimension drawings, 3D models, device circuit diagrams, EPLAN macros, ...)**

[http://www.automation.siemens.com/bilddb/cax\\_de.aspx?mlfb=3UL2306-1A&lang=en](http://www.automation.siemens.com/bilddb/cax_de.aspx?mlfb=3UL2306-1A&lang=en)



W88888: 3UL2306-1A, AL

**-B**



last modified:

04/29/2018