



### Main

|                             |             |
|-----------------------------|-------------|
| Range of product            | Harmony XB5 |
| Bezel material              | Plastic     |
| Product or component type   | Annunciator |
| Mounting diameter           | 22 mm       |
| Cap/Operator or lens colour | Red         |

### Complementary

|                                    |                                     |
|------------------------------------|-------------------------------------|
| [Us] rated supply voltage          | 110...120 V (+/- 10 %)              |
| Supply circuit type                | AC/DC                               |
| Supply frequency                   | 50/60 Hz                            |
| Current consumption                | <= 20 mA                            |
| Signalling type                    | Continuous or intermittent tone     |
| Resistance to high pressure washer | 9000000 Pa at 82 °C,distance: 0.1 m |
| Height                             | 29 mm                               |
| Width                              | 29 mm                               |
| Depth                              | 55 mm                               |
| Product weight                     | 0.024 kg                            |

### Environment

|                                       |  |
|---------------------------------------|--|
| Noise level                           | 90 dB 4 kHz<br>90 dB 6.8 kHz                 |
| Protective treatment                  | TH   |
| Ambient air temperature for storage   | -40...70 °C                                  |
| Ambient air temperature for operation | -40...70 °C                                  |
| Overvoltage category                  | Class II conforming to IEC 60536             |
| IP degree of protection               | IP69<br>IP67<br>IP66 conforming to IEC 60529 |

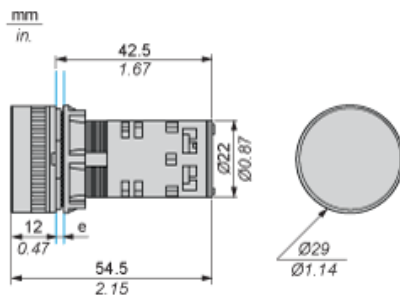
IP69K

|                           |  |
|---------------------------|--|
| NEMA degree of protection | NEMA 13<br>NEMA 4X   |
| IK degree of protection   | IK03 conforming to EN 50102<br>IK03 conforming to IEC 50102  |
| Standards                 | EN 60947-5-1<br>EN 60947-1<br>UL 508<br>IEC 60947-5-1<br>JIS C 4520<br>IEC 60947-1<br>IEC 60947-5-4<br>EN 60947-5-4<br>CSA C22.2 No 14 |
| Product certifications    | DNV<br>UL listed<br>RINA<br>CSA<br>GL<br>BV<br>LROS (Lloyds register of shipping)  |

**Offer Sustainability**

|                                  |   |
|----------------------------------|---|
| Sustainable offer status         | Green Premium product   |
| RoHS (date code: YYWW)           | Compliant - since 1746 - Schneider Electric declaration of conformity<br><a href="#">Schneider Electric declaration of conformity</a> |
| REACH                            | Reference not containing SVHC above the threshold<br><a href="#">Reference not containing SVHC above the threshold</a>                |
| Product environmental profile    | Available<br><a href="#">Product environmental</a>  |
| Product end of life instructions | Need no specific recycling operations   |

Dimensions



e: Clamping thickness: 1 to 6 mm / 0.04 to 0.24 in.

---

Panel Cut-out for Buzzer

---

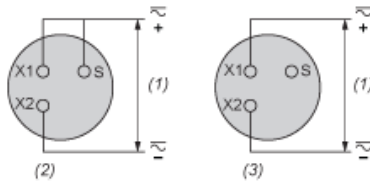
Connection by Screw Clamp Terminals

(1) Diameter on finished panel or support

(2) Ø22.5 mm recommended ( $\text{Ø}22.3 \text{ }_0^{+0.4}$ ) / Ø0.89 in. recommended ( $\text{Ø}0.88 \text{ in. }_0^{+0.016}$ )

| Connections                                   | a in mm | a in in. | b in mm | b in in. |
|---|---------|----------|---------|----------|
| By screw clamp terminals or plug-in connector | 40      | 1.57     | 30      | 1.18     |

## Cabling of Annunciators



- (1) Supply
- (2) Intermittent
- (3) Continuous