



Main

Range of product	Harmony XB5
Bezel material	Plastic
Product or component type	Annunciator
Mounting diameter	22 mm
Head type	Standard

Complementary

[Us] rated supply voltage	120 V (+/- 10 %)
Supply circuit type	AC
Supply frequency	50/60 Hz
Current consumption	<= 20 mA
Signalling type	Continuous or intermittent tone
Resistance to high pressure washer	7000000 Pa at 55 °C, distance: 0.1 m
Height	30 mm
Width	30 mm
Depth	60 mm
Product weight	0.035 kg

Environment

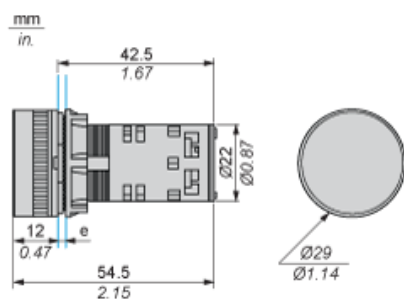
Noise level	85 dB 4 kHz 85 dB 6.8 kHz
Protective treatment	TH
Ambient air temperature for storage	-40...70 °C
Ambient air temperature for operation	-25...70 °C
Overvoltage category	Class II conforming to IEC 60536
Electrical shock protection class	Class II conforming to IEC 60536
IP degree of protection	IP40 conforming to IEC 60529
NEMA degree of protection	NEMA 1

IK degree of protection	IK03 conforming to EN 50102 IK03 conforming to IEC 50102
Standards	EN 60947-5-1 JIS C 4520 EN 60947-5-4 IEC 60947-5-4 IEC 60947-5-1 UL 508 IEC 60947-1 EN 60947-1 CSA C22.2 No 14
Product certifications	UL listed DNV RINA LROS (Lloyds register of shipping) CSA GL BV

Contractual warranty

Warranty period	18 months
-----------------	-----------

Dimensions



e: Clamping thickness: 1 to 6 mm / 0.04 to 0.24 in.

Panel Cut-out for Buzzer

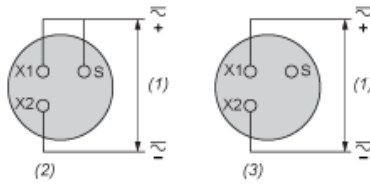
Connection by Screw Clamp Terminals

(1) Diameter on finished panel or support

(2) Ø22.5 mm recommended ($\text{Ø}22.3 \text{ }_0^{+0.4}$) / Ø0.89 in. recommended ($\text{Ø}0.88 \text{ in. }_0^{+0.016}$)

Connections	a in mm	a in in.	b in mm	b in in.
By screw clamp terminals or plug-in connector	40	1.57	30	1.18

Cabling of Annunciators



- (1) Supply
- (2) Intermittent
- (3) Continuous