



RS stock numbers : 288-9322, 317-932, 338-9722, 338-9744, 338-9750, 725-9842, 725-9943, 725-9846, 725-9855, 725-9858, 756-4286, 869-7570, 869-7589, 869-7582, 869-7586, 124-2576, 124-2577, 124-2578, 124-2579, 124-2580, 124-2581, 124-2582, 124-2583



## RSF70 Series

### Compact External Fitting via Compression Seal



- **Compression seal fitting**
- **Flying Lead or M12 plug connection**
- **Available in Nylon, Polypropylene, PPS & PVDF**
- **25VA & 100VA versions available**
- **Many variants are UL recognised components**  
**File No. E171218**
- **WRAS and NSF Approved versions available**

The RSF70 series is designed for fitting through a tank wall from the outside, where access to the inside for fitting is not possible.

Typical applications include vending machines, commercial dishwashers and auxiliary tanks on vehicles.

These are manufactured in a variety of plastics, with a choice of gasket materials, to suit most commonly used liquids.

The switch action may be reversed by mounting the device with the float able to move upwards away from the body, instead of the more normal downwards direction.

Available with either flying leads or M12 socket for electrical connection. Cable sets with M12 plugs are also available.

Cynergy3 Components Ltd.  
7 Cobham Road  
Ferndown Industrial Estate  
Wimborne, Dorset BH21 7PE  
Telephone +44 (0) 1202 897969  
Email:sales@cynergy3.com  
www.cynergy3.com

Technical Specification	RSF73	RSF74	RSF78	RSF76	RSF77
Material	Nylon	Polypropylene WRAS approved	Polypropylene UL approved	Polyphenylene Sulphide (PPS)	Polyvinylidene Fluoride (PVDF)
Colour	Black	Opaque	White	Grey	Green
Temp. Range °C	-20 / +75	-20 / +100	-20 / +100	-10 / +120 *	-10 / +105
°F	-4 / +167	-4 / +212	-4 / +212	+14 / +248 *	-14 / +221
Min. Fluid SG	0.85	0.85	0.80	0.85	0.85
Must close level (SG=1)	7mm	8mm	8mm	9mm	9mm
Must open level (SG=1)	20mm	20mm	20mm	24mm	24mm

\* Maximum temperature requires ETFE cable to be specified.

Electrical Specification	25W (Y code)	100W (H code)
Contact Form	N/O (N/C)	N/O (N/C)
Switching Power Max	VA	100
Switching Voltage AC Max	V	300
Switching Voltage DC Max	V	300
Switching Current Max	A	1

All ratings are for resistive load only.

Rs Stock No.	Standard Parts	Material	Max Power	Leadouts	Gasket	Approvals
725-9842	RSF73H100RN	Nylon	100VA	100cm PVC 16/0.2	Nitrile	WRAS
317-932	RSF73Y050QM	Nylon	25VA	50cm PVC 24/0.2	Silicone	WRAS
338-9722	RSF73Y100RN	Nylon	25VA	100cm PVC 16/0.2	Nitrile	WRAS
	RSF73Y100RM	Nylon	25VA	100cm PVC 16/0.2	Silicone	WRAS
725-9846	RSF74H100RN	Polypropylene	100VA	100cm PVC 16/0.2	Nitrile	WRAS & NSF
338-9744	RSF74Y100RN	Polypropylene	25VA	100cm PVC 16/0.2	Nitrile	WRAS & NSF
	RSF74Y100RM	Polypropylene	25VA	100cm PVC 16/0.2	Silicone	WRAS & NSF
725-9855	RSF76H050TV	PPS	100VA	50cm ETFE 19/0.2	Viton	WRAS, UL & NSF
725-9858	RSF76H100RN	PPS	100VA	100cm PVC 16/0.2	Nitrile	WRAS, UL & NSF
288-9322	RSF76Y050TV	PPS	25VA	50cm ETFE 19/0.2	Viton	WRAS, UL & NSF
338-9750	RSF76Y100RV	PPS	25VA	100cm ETFE 19/0.2	Viton	WRAS, UL & NSF
	RSF76Y100RN	PPS	25VA	100cm PVC 16/0.2	Nitrile	WRAS, UL & NSF
1242576	RSF77Y100GN	PVDF	25VA	100cm PTFE 7/0.2	Nitrile	UL & NSF
1242577	RSF77H100GN	PVDF	100VA	100cm PTFE 7/0.2	Nitrile	UL & NSF
1242580	RSF77Y100GV	PVDF	25VA	100cm PTFE 7/0.2	Viton	UL & NSF
1242581	RSF77H100GV	PVDF	100VA	100cm PTFE 7/0.2	Viton	UL & NSF
756-4286	RSF78H100RN	PP (UL)	100VA	100cm PVC 16/0.2	Nitrile	UL
725-9943	RSF78Y100RN	PP (UL)	25VA	100cm PVC 16/0.2	Nitrile	UL
	RSF73HNP	Nylon	100VA	M12 connection	Nitrile	WRAS
869-7570	RSF73YNP	Nylon	25VA	M12 connection	Nitrile	WRAS
	RSF74HNP	Polypropylene	100VA	M12 connection	Nitrile	WRAS & NSF
869-7589	RSF74YNP	Polypropylene	25VA	M12 connection	Nitrile	WRAS & NSF
	RSF76HNP	PPS	100VA	M12 connection	Nitrile	WRAS, UL & NSF
869-7582	RSF76YNP	PPS	25VA	M12 connection	Nitrile	WRAS, UL & NSF
1242579	RSF77HNP	PVDF	100VA	M12 connection	Nitrile	UL & NSF
1242578	RSF77YNP	PVDF	25VA	M12 connection	Nitrile	UL & NSF
1242583	RSF77HVP	PVDF	100VA	M12 connection	Viton	UL & NSF
1242582	RSF77YVP	PVDF	25VA	M12 connection	Viton	UL & NSF
	RSF78HNP	PP (UL)	100VA	M12 connection	Nitrile	UL
869-7586	RSF78YNP	PP (UL)	25VA	M12 connection	Nitrile	UL

Custom versions can be made for particular applications. Please contact Cynergy3 with your requirements. \* UL approval pending

ISO9001 CERTIFIED

RSF70 RS 2017



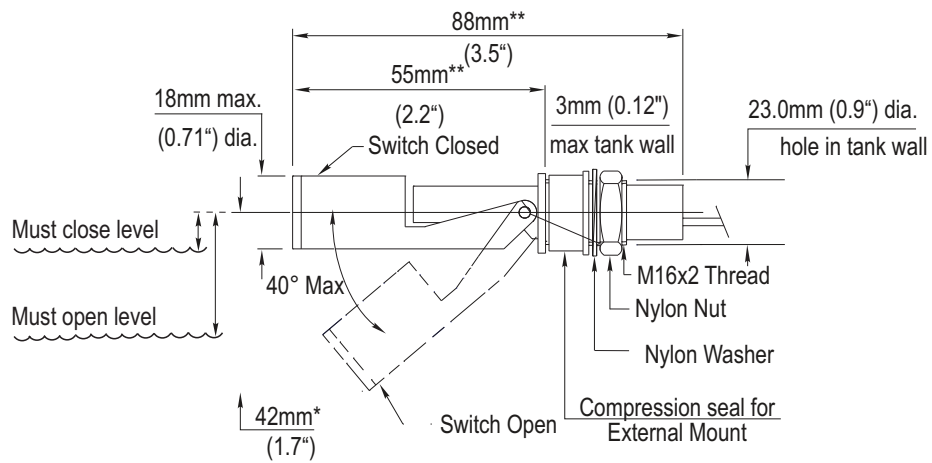
Made in the UK

www.cynergy3.com

# RSF70 Series

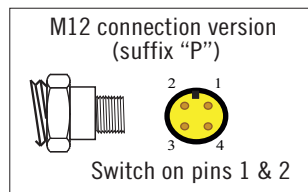
## Compact External Fitting via Compression Seal

### Mechanical Dimensions



\* 49mm RSF76 & RSF77  
 \*\* Add 10mm to dims. RSF76 & RSF77

### Electrical Connections



Cynergy3 Components Ltd.  
 7 Cobham Road  
 Ferndown Industrial Estate  
 Wimborne, Dorset BH21 7PE  
 Telephone +44 (0) 1202 897969  
 Email: sales@cynergy3.com  
 www.cynergy3.com

ISO9001 CERTIFIED



www.cynergy3.com