

Technical Data

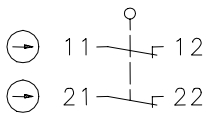
Plastic bodied limit switch

Series I88

Description **I88-A2Z W**

Article number **6086803013**

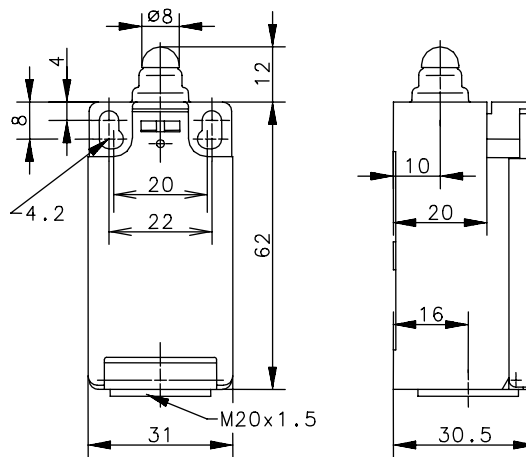
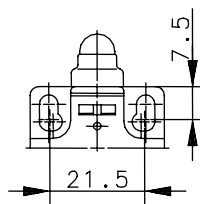
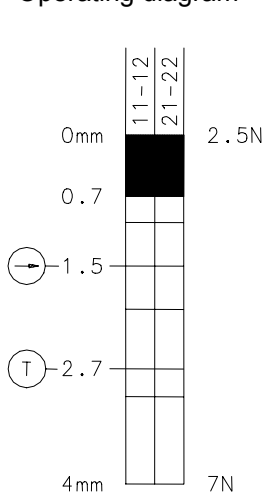
Operating symbol





Fixed positioning for safety applications

Mounting screw according to DIN 912 M5

Operating diagram



  Tolerance:
 On Off Operating point $\pm 0,25\text{mm}$;
 Operating force $\pm 10\%$

Electrical data

Rated insulation voltage	U_i	250V AC
Conv. thermal current	I_{the}	5A AC / 2,5A DC
Rated operational voltage	U_e	240V
Utilization category		AC-15, U_e/I_e 240V/1,5A DC-13, U_e/I_e 125V/0,55A 250V/0,27A
Direct opening action	\ominus	acc. to IEC/EN 60947-5-1, Annex K
Gap between NC-contacts	\oplus	DIN EN 81
Short-circuit protective device		Fuse 6A gL/gG
Protection class		II, totally insulated

This document will not become the contractual basis; the details included herein do not constitute any descriptions of expected conditions, so that warranties/claims for defects on account of possible variations of the actual qualities from the qualities described herein are explicitly excluded. All rights reserved. Specifications subject to change without notice!

Date of issue: 16.02.2006 / Page 1 of 2
 Document : 6086803013_en / Last update : 3 / 2181-06

Technical Data

Plastic bodied limit switch

Mechanical data

Enclosure	Thermoplastic, glass fibre reinforced (UL 94-V0)
Cover	Thermoplastic, glass fibre reinforced (UL 94-V0)
Actuator	Plunger (thermoplastic)
Ambient air temperature	-30°C ... +80°C
Contact type	2 NC (Zb)
Mechanical life	1 x 10 ⁶ switching cycles
Switching frequency	≤ 100/min
Assembly	2 x M4
Connection	4 screw connections (M3)
Conductor cross-sections	Solid: 0.5 ... 1.5mm ² Litz wire with ferrules: 0.5 ... 1.5mm ²
Cable entrance	1 x M20x1,5
Weight	≈ 0,06kg
Installation position	Operator definable
Protection type	IP65 acc. to EN 60529; DIN VDE 0470 T1

Actuation

The push bolt actuator is mainly intended to be actuated along it's axis.
Side actuation will considerably reduce switch life.

Standards	VDE 0660 T100, DIN EN 60947-1, IEC 60947-1 VDE 0660 T200, DIN EN 60947-5-1, IEC 60947-5-1
------------------	--

EU Conformity	CE
----------------------	-----------

Approvals

cCSA_{US} B300 (same polarity), Q300

Notes

The degree of protection specified (IP code) applies only to a properly closed cover and the use of an equivalent cable gland with adequate cable.