


# Ethernet HART multiplexer - GW PL ETH/BASIC-BUS - 2702321

Please be informed that the data shown in this PDF Document is generated from our Online Catalog. Please find the complete data in the user's documentation. Our General Terms of Use for Downloads are valid (<http://phoenixcontact.com/download>)



Modular gateway Ethernet head station with Modbus TCP, HART IP, FDT/DTM. Supports five expansion modules.

## Key Commercial Data

Packing unit	1 STK
GTIN	 4 055626 134390
GTIN	4055626134390
Weight per Piece (excluding packing)	217.000 g
Custom tariff number	85176200
Country of origin	Germany

## Technical data

### General

Degree of protection	IP20
Mounting position	any
Assembly instructions	on standard DIN rail NS 35 in accordance with EN 60715
Mounting type	DIN rail: 35 mm
Color	gray

### Serial interface

Interface 1	Bus
Interface 2	Modbus/TCP, HART IP
Connection method	RJ45 socket, auto negotiation and auto crossing

### Ambient conditions

Ambient temperature (operation)	-40 °C ... 70 °C
Ambient temperature (storage/transport)	-40 °C ... 85 °C

### Dimensions

Width	22.5 mm
Height	114.5 mm
Depth	99 mm

# Ethernet HART multiplexer - GW PL ETH/BASIC-BUS - 2702321

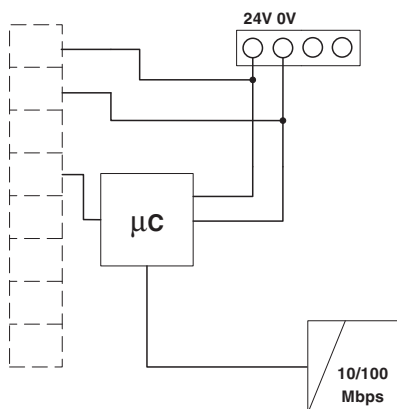
## Technical data

### Standards and Regulations

Electromagnetic compatibility	Conformance with EMC Directive 2004/108/EC
UL, USA/Canada	Class I, Div. 2, Groups A, B, C, D

## Drawings

Block diagram



## Classifications

### eCl@ss

eCl@ss 5.1	27242208
eCl@ss 8.0	27242208
eCl@ss 9.0	27242208

### ETIM

ETIM 5.0	EC001423
----------	----------

## Approvals

### Approvals

#### Approvals

UL Listed / cUL Listed / cULus Listed


#### Ex Approvals

UL Listed / cUL Listed / cULus Listed

### Approval details

## Ethernet HART multiplexer - GW PL ETH/BASIC-BUS - 2702321

### Approvals

UL Listed  <http://database.ul.com/cgi-bin/XYV/template/LISEXT/1FRAME/index.htm> FILE E 238705

cUL Listed  <http://database.ul.com/cgi-bin/XYV/template/LISEXT/1FRAME/index.htm> FILE E 238705

cULus Listed 