



## Technical Data Sheet

# *Omega Split Core Current Transformer Series*

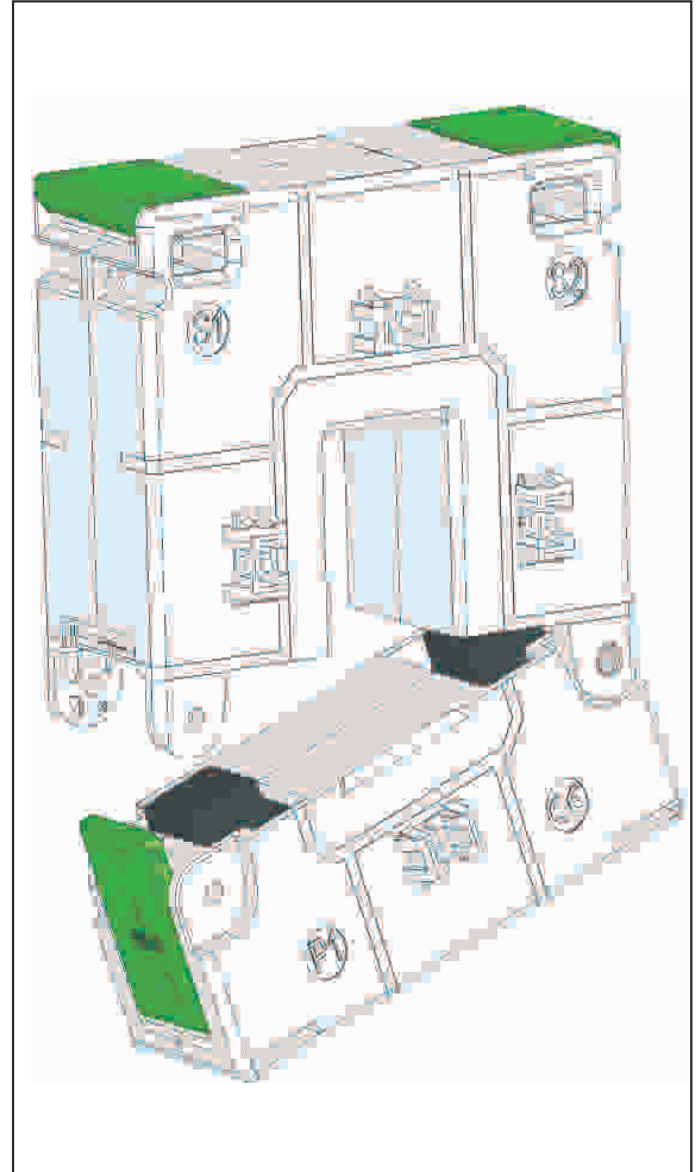
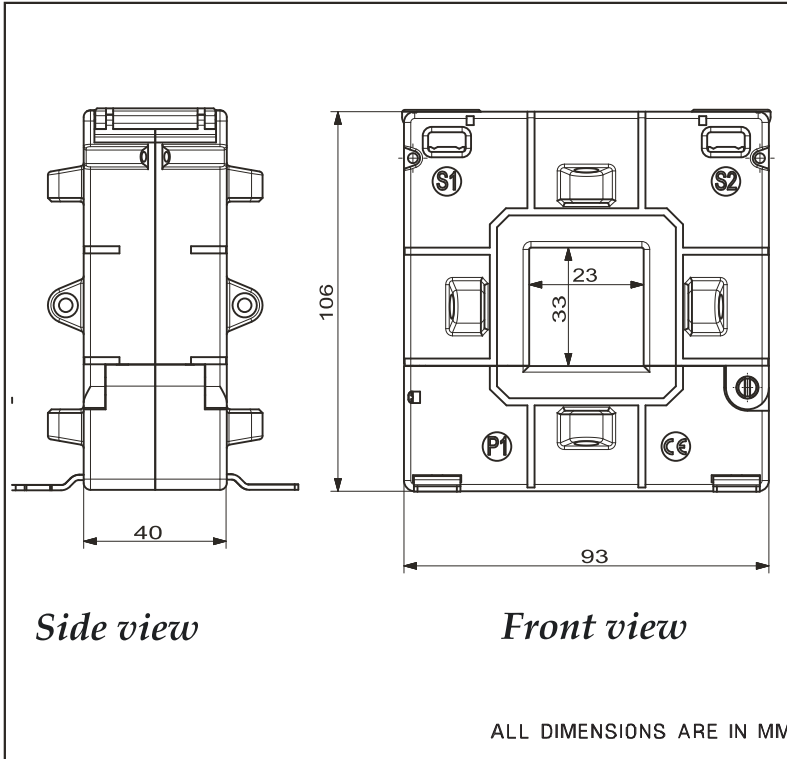


*Omega 10 Series* is a range of split core current transformers that offers a cost effective and efficient method by which the current can be measured without the need to break the conductor, thereby reducing installation and commissioning time.

# Omega Split Core Current Transformer Series

## Omega 10A 93/30 SC (40)

Omega 10A

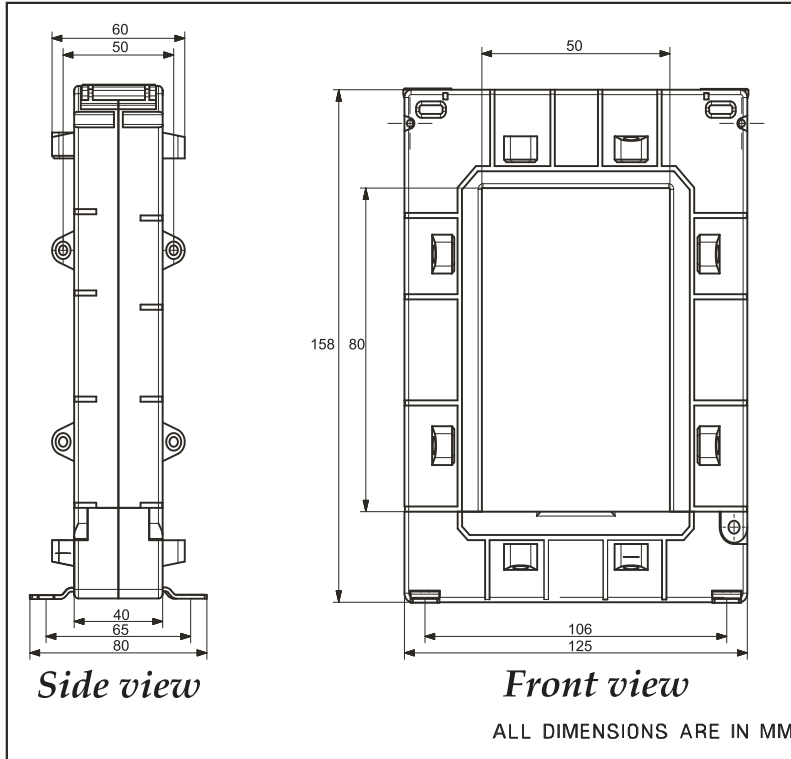


Primary Current	VA			OD/ID (Axial)
	Class 0.5	Class 1	Class 3	
100	-	1.5VA	3.5VA	93 / 30 (40)
150	-	1.75VA	3.75VA	93 / 30 (40)
200	-	2.5VA	5VA	93 / 30 (40)
250	-	3.75VA	6.25VA	93 / 30 (40)
300	2.5VA	5VA	6.25VA	93 / 30 (40)
400	3.75VA	6.25VA	10VA	93 / 30 (40)

# Omega Split Core Current Transformer Series

## Omega 10B 125/50 SC (40)

Omega 10B

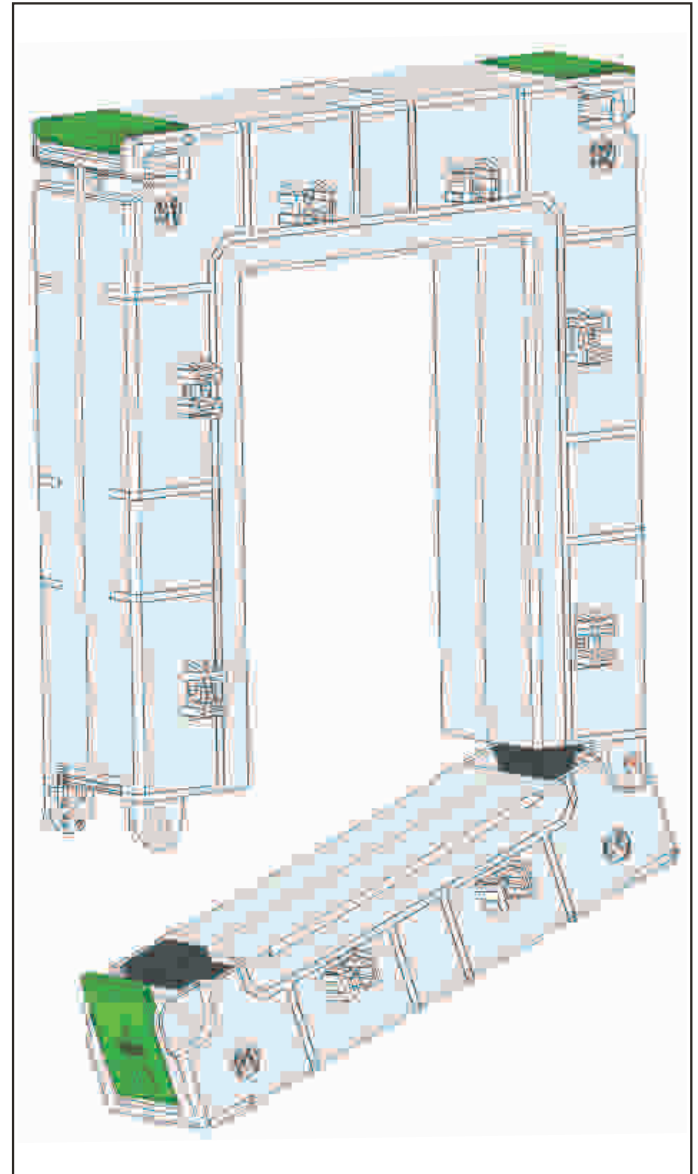
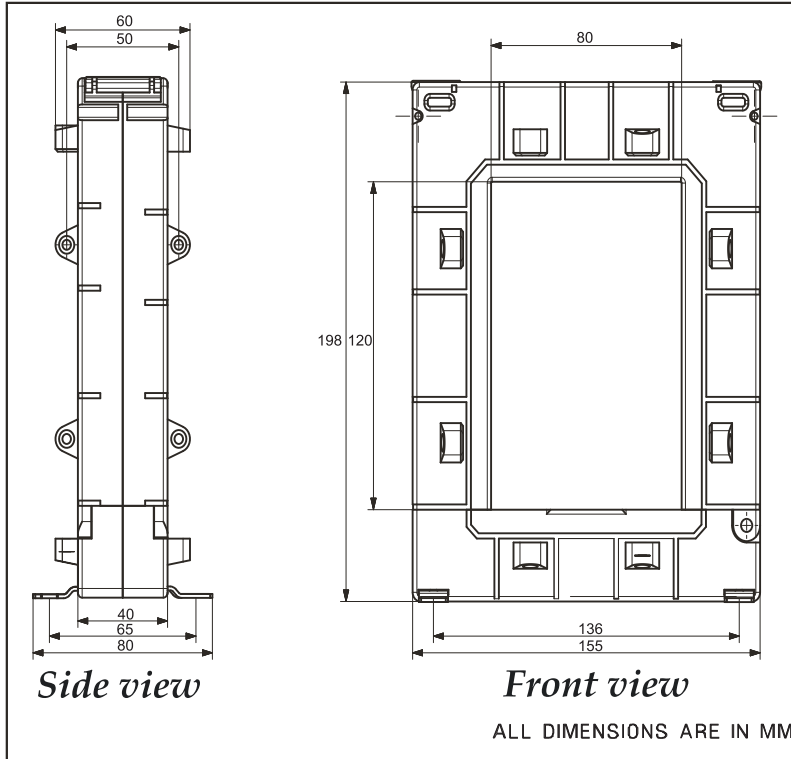


Primary Current	VA		OD/ID (Axial)
	Class 0.5	Class 1	
250	1VA	2.5VA	125 / 50 (40)
300	2.5VA	3.75VA	125 / 50 (40)
400	2.5VA	3.75VA	125 / 50 (40)
500	3.75VA	5VA	125 / 50 (40)
600	5VA	7.5VA	125 / 50 (40)
750	7.5VA	10VA	125 / 50 (40)
800	7.5VA	10VA	125 / 50 (40)
1000	10VA	15VA	125 / 50 (40)
1200	10VA	15VA	125 / 50 (40)
1250	10VA	15VA	125 / 50 (40)
1500	10VA	15VA	125 / 50 (40)
1600	10VA	15VA	125 / 50 (40)

# Omega Split Core Current Transformer Series

## Omega 10C 155/80 SC (40)

Omega 10C

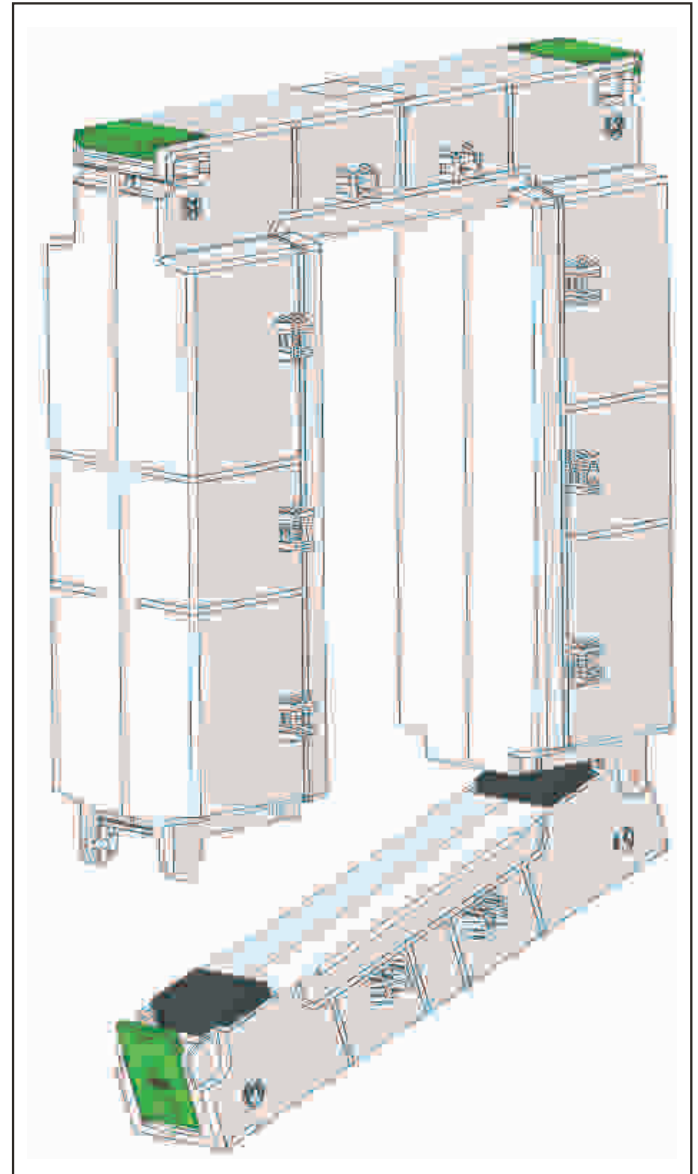
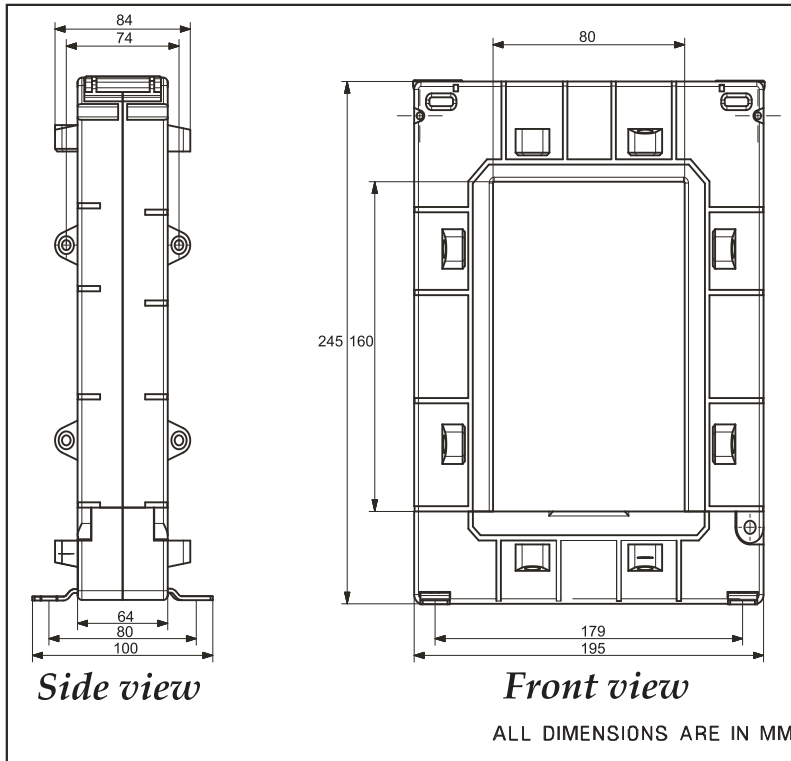


Primary Current	VA		OD/ID (Axial)
	Class 0.5	Class 1	
250	1VA	2.5VA	155 / 80 (40)
300	2.5VA	3.75VA	155 / 80 (40)
400	2.5VA	3.75VA	155 / 80 (40)
500	3.75VA	5VA	155 / 80 (40)
600	5VA	7.5VA	155 / 80 (40)
750	7.5VA	10VA	155 / 80 (40)
800	7.5VA	10VA	155 / 80 (40)
1000	10VA	15VA	155 / 80 (40)
1200	15VA	30VA	155 / 80 (40)
1250	15VA	30VA	155 / 80 (40)
1500	20VA	45VA	155 / 80 (40)
1600	20VA	45VA	155 / 80 (40)
2000	20VA	45VA	155 / 80 (40)
2500	25VA	45VA	155 / 80 (40)
3000	30VA	45VA	155 / 80 (40)

# Omega Split Core Current Transformer Series

## Omega 10D 195/80 SC (40)

Omega 10D

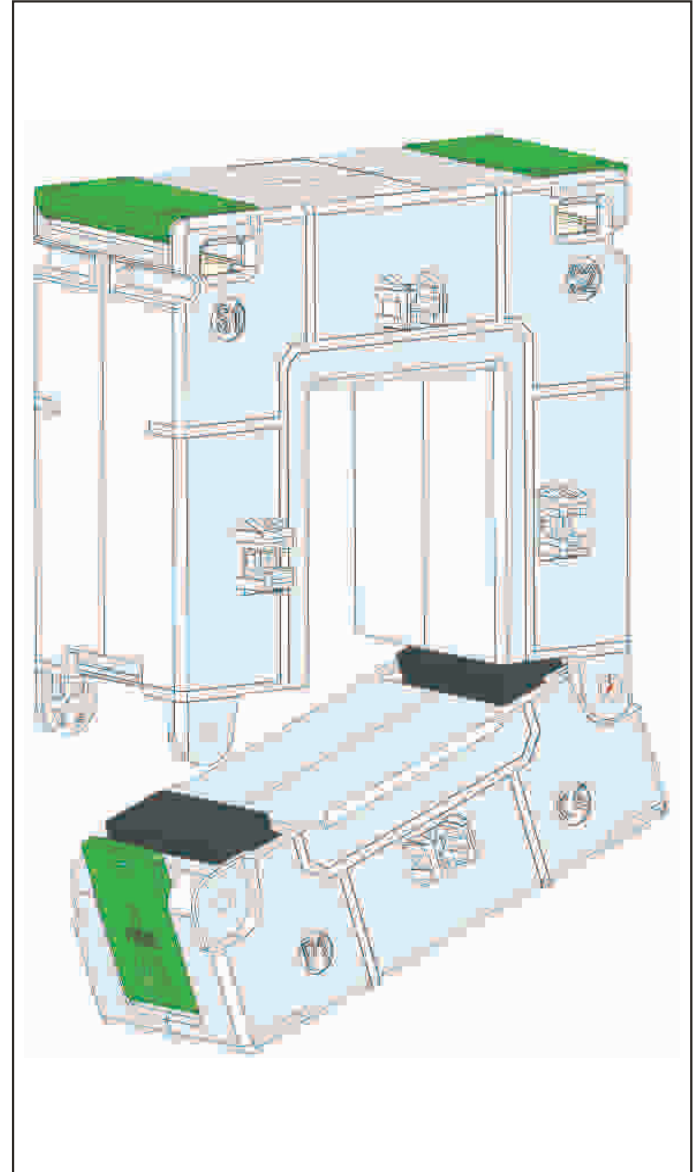
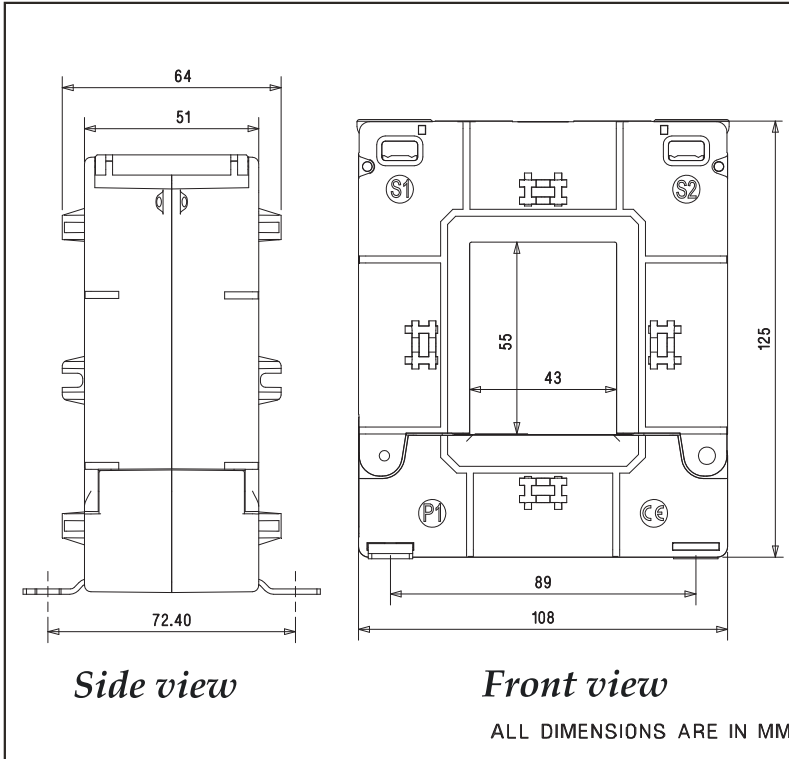


Primary Current	VA		OD/ID (Axial)
	Class 0.5	Class 1	
500	1.25VA	5VA	195 / 80 (64)
600	1.25VA	5VA	195 / 80 (64)
750	5VA	10VA	195 / 80 (64)
800	7.5VA	10VA	195 / 80 (64)
1000	10VA	20VA	195 / 80 (64)
1200	15VA	20VA	195 / 80 (64)
1250	15VA	20VA	195 / 80 (64)
1500	20VA	30VA	195 / 80 (64)
1600	20VA	30VA	195 / 80 (64)
2000	25VA	30VA	195 / 80 (64)
2500	25VA	30VA	195 / 80 (64)
3000	30VA	45VA	195 / 80 (64)
4000	30VA	45VA	195 / 80 (64)
5000	30VA	45VA	195 / 80 (64)

# Omega Split Core Current Transformer Series

## Omega 10E 105/50 SC (50)

Omega 10E



Primary Current	VA		OD/ID (Axial)
	Class 0.5	Class 1	
100	-	1.5VA	105 / 50 (50)
125	-	1.5VA	105 / 50 (50)
150	-	1.75VA	105 / 50 (50)
200	1.5VA	3.75VA	105 / 50 (50)
250	2.5VA	5VA	105 / 50 (50)
300	2.5VA	5VA	105 / 50 (50)
400	5VA	7.5VA	105 / 50 (50)
500	5VA	7.5VA	105 / 50 (50)
600	6.25VA	10VA	105 / 50 (50)
750	7.5VA	12.5VA	105 / 50 (50)
800	7.5VA	12.5VA	105 / 50 (50)

# Omega Split Core Current Transformer Series

## Specifications

- System voltage 720V (0.72kV) maximum
- Test voltage 3kV for 1 minute
- System frequency 50 or 60 Hz
- Insulation class E
- Overload withstand 1.2 times rated current continuously
- Short circuit thermal 100 x rated primary for 1 second
- Operating temperature 20°C to 70°C
- Relative humidity 0-90% (non condensing)
- Compliant with IEC 60044-1. Bs7626
- Accuracy Class 3, 1 & 0.5
- Rated dynamic current = 2.55 x I<sub>ht</sub>
- Enclosure flame retardant grade classified UL 94V-O

## Applications

- Switchgear
- Distribution system
- Generator sets
- Control panels
- Overload protection
- Control devices



**sifam tinsley**  
PRECISION INSTRUMENTATION

**Sifam Tinsley Instrumentation Inc.**  
3105, Creekside Village Drive,  
Suite No 801, Kennesaw,  
Georgia 30144  
**Contact Number:** +1.404.736.4903  
**Web:** www.sifamtinsley.com

**Sifam Tinsley Instrumentation Ltd.**  
Central Buildings, Woodland Close,  
Old Woods Trading Estate,  
Torquay, Devon, England, TQ27BB  
**Contact Number:** +44 (0) 1803 615139  
**Web:** www.sifamtinsley.com/uk