



Changeover switch, +housing, 1p, Ie=12A, FS 1-2, 90°, maintained, 48x48 mm



Powering Business Worldwide™

Part no. **T0-1-8220-11**
Article no. **207078**

Catalog No. **CT01-8220-11KBQ**



Delivery programme

Product range
Basic function
Part group reference

Main circuits
Poles



Protection type

Design

Contact sequence

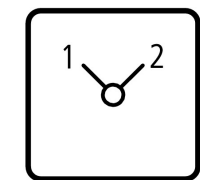
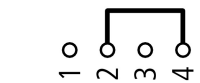
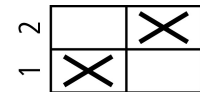
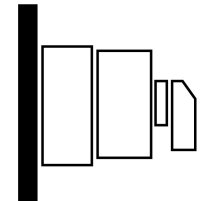
Front plate no.

Switch-disconnectors T, P
Changeover switches
T0
Without 0 (Off) position
with black thumb grip and front plate
1

IP65

totally insulated

surface mounting



FS 943

Bemessungsbetriebsleistung AC-23A,

50 - 60 Hz

400 V

Rated uninterrupted current

P

I_u

kW

A

6.5

20

General

Standards

Climatic proofing

Ambient temperature

Enclosed

Overvoltage category/pollution degree

Rated impulse withstand voltage

Mechanical shock resistance

Mounting position

Protection against direct contact when actuated from front (EN 50274)

		IEC/EN 60947, VDE 0660, IEC/EN 60204, CSA, UL Switch-disconnector according to IEC/EN 60947-3
		Damp heat, constant, to IEC 60068-2-78 Damp heat, cyclic, to IEC 60068-2-30
	°C	
	°C	-25 - +40
		III/3
U _{imp}	V AC	6000
	g	15
		As required
		Finger and back-of-hand proof

Contacts

Mechanical variables

Main circuits

Poles

		1

Electrical characteristics

Rated operational voltage

Rated uninterrupted current

Note on rated uninterrupted current I_u

Load rating with intermittent operation, class 12

AB 25 % DF

AB 40 % DF

AB 60 % DF

Short-circuit rating

Fuse

Rated short-time withstand current (1 s current)

Note on rated short-time withstand current I_{cw}

U_e	V AC	690
I_u	A	20
		Rated uninterrupted current I_u is specified for max. cross-section.
	x I_e	2
	x I_e	1.6
	x I_e	1.3
	A gG/ gL	20
I_{cw}	A_{rms}	320
		Current for a time of 1 second

Switching capacity

Bemessungsausschaltvermögen $\cos \phi$ nach IEC 60947-3

230 V

400/415 V

500 V

690 V

Safe isolation to EN 61140

between the contacts

Current heat loss per contact at I_e

	A	
	A	100
	A	110
	A	80
	A	60
	V AC	440
	W	0.6

Lifespan, mechanical

Operations	x 10^6	> 0.4
Operations/h		1200

Maximum operating frequency

AC

AC-3

Rating, motor load switch

220 V 230 V

230 V Star-delta

380 V 400 V

400 V 415 V

400 V Star-delta

500 V

500 V Star-delta

690 V

690 V Star-delta

P	kW	
P	kW	3
P	kW	4
P	kW	1.3
P	kW	4
P	kW	5.5
P	kW	5.5
P	kW	7.5
P	kW	4
P	kW	5.5

Bemessungsbetriebsstrom Motorschalter

230 V

230 V star-delta

400V 415 V

400 V star-delta

500 V

500 V star-delta

690 V

690 V star-delta

I_e	A	11.5
I_e	A	14.8
I_e	A	11.5
I_e	A	11.3
I_e	A	9
I_e	A	12.1
I_e	A	4.9
I_e	A	6.5

AC-15

Rated operational current control switch

230 V

400 V 415 V

500 V

I_e	A	6
I_e	A	4
I_e	A	2

AC-21A

Bemessungsbetriebsstrom Lastschalter
440 V
AC-23A
Bemessungsbetriebsleistung AC-23A, 50 - 60 Hz
230 V
400 V 415 V
500 V
690 V
Bemessungsbetriebsstrom Motorschalter
230 V

DC

DC-1, Load-break switches L/R = 1 ms

Rated operational current

Voltage per contact pair in series

DC-21A

Rated operational current

Contacts

DC-23A, motor load switch L/R = 15 ms

24 V

Rated operational current

Contacts

48 V

Rated operational current

Contacts

60 V

Rated operational current

Contacts

120 V

Rated operational current

Contacts

240 V

Rated operational current

Contacts

DC-13, Control switches L/R = 50 ms

Rated operational current

Voltage per contact pair in series

Control circuit reliability at 24 V DC, 10 mA

I_e	A	20
P	kW	
P	kW	3.5
P	kW	6.5
P	kW	7.5
P	kW	6.5
I_e	A	13.3
I_e	A	10
	V	60
I_e	A	
I_e	A	1
	Quantity	1
I_e	A	10
	Quantity	1
I_e	A	10
	Quantity	2
I_e	A	10
	Quantity	3
I_e	A	5
	Quantity	3
I_e	A	5
	Quantity	5
I_e	A	10
	V	32
Fault probability	H_F	$< 10^{-5}$, < 1 fault in 100000 operations

Terminal capacities

Flexible with ferrules to DIN 46228

Flexible with ferrule

Terminal screw

Max. tightening torque

	mm ²	
	mm ²	1 x (0.75 - 1.5) 2 x (0.75 - 1.5)
		M3.5
	Nm	1

Technical data ETIM 5.0

Low-voltage industrial components (EG000017) / Off-load switch (EC001105)

Electric engineering, automation, process control engineering / Low-voltage switch technology / Off-load switch, circuit breaker, control switch / Changeover switch
(ec1@ss8-27-37-14-05 [AKF062009])

Model

Number of poles

With 0 (off) position

Rated permanent current I_u

Rated operation power at AC-3, 400 V

Degree of protection (IP), front side

Number of auxiliary contacts as normally closed contact

Number of auxiliary contacts as normally open contact

Number of auxiliary contacts as change-over contact

Suitable for ground mounting

Reverser

1

No

20

4

IP65

0

0

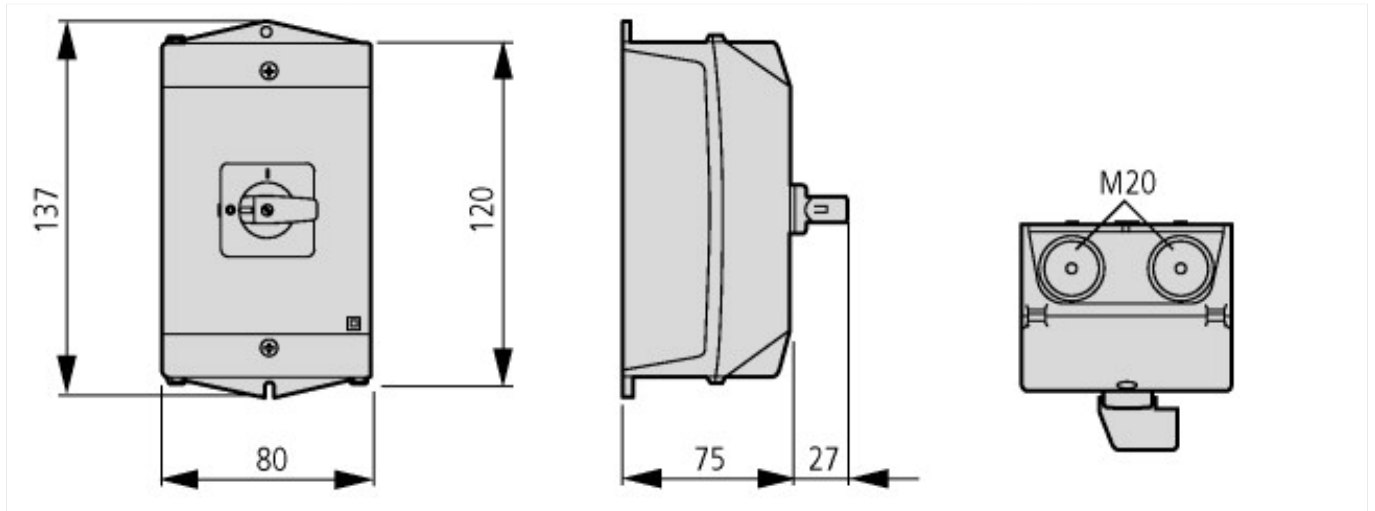
0

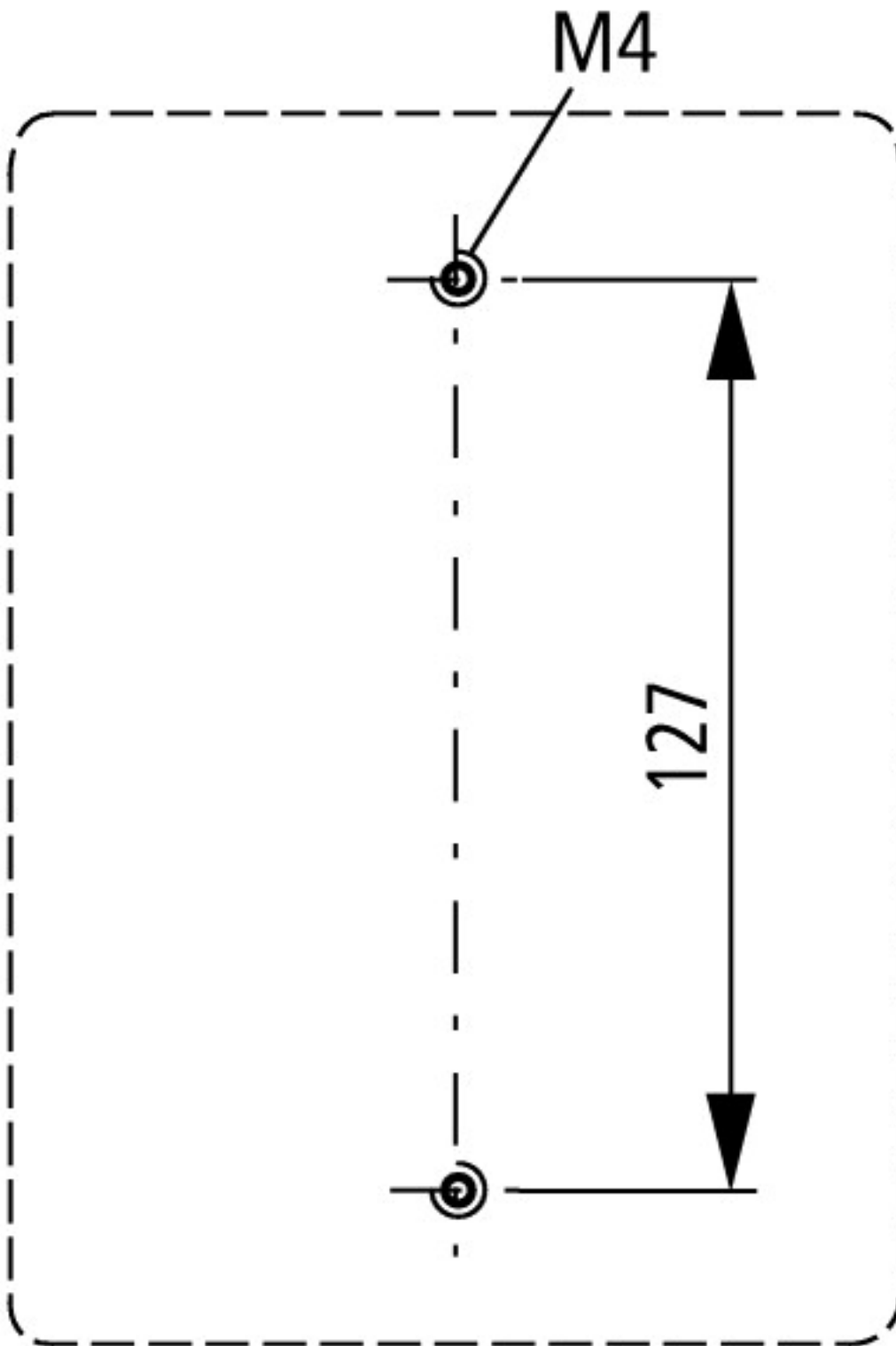
Yes

Suitable for front mounting 4-hole
Suitable for distribution board
installation
Suitable for intermediate mounting
Complete device in housing
Type of control element
Connection type main current circuit

No
No
No
Yes
Toggle
Screw connection

Dimensions





Drilling dimensions base

Additional product information (links)

IL03801007Z (AWA1150-1687) Cam switch: Surface mounting enclosure

IL03801007Z (AWA1150-1687) Cam switch: Surface mounting enclosure

ftp://ftp.moeller.net/DOCUMENTATION/AWA_INSTRUCTIONS/IL03801007Z2013_02.pdf

<http://ecat.moeller.net/flip-cat/?edition=HPLEN&startpage=4.87>

<http://ecat.moeller.net/flip-cat/?edition=K115A&startpage=43>

<http://de.ecat.moeller.net/flip-cat/?edition=HPLTEv1&startpage=4.2>

<http://de.ecat.moeller.net/flip-cat/?edition=HPLTEv1&startpage=4.4>

<http://de.ecat.moeller.net/flip-cat/?edition=HPLTEv1&startpage=4.6>

<http://de.ecat.moeller.net/flip-cat/?edition=HPLTEv1&startpage=4.8>

<http://de.ecat.moeller.net/flip-cat/?edition=HPLTEv1&startpage=4.8>