

# SIEMENS

## Product data sheet

## 3SE5112-1QV10



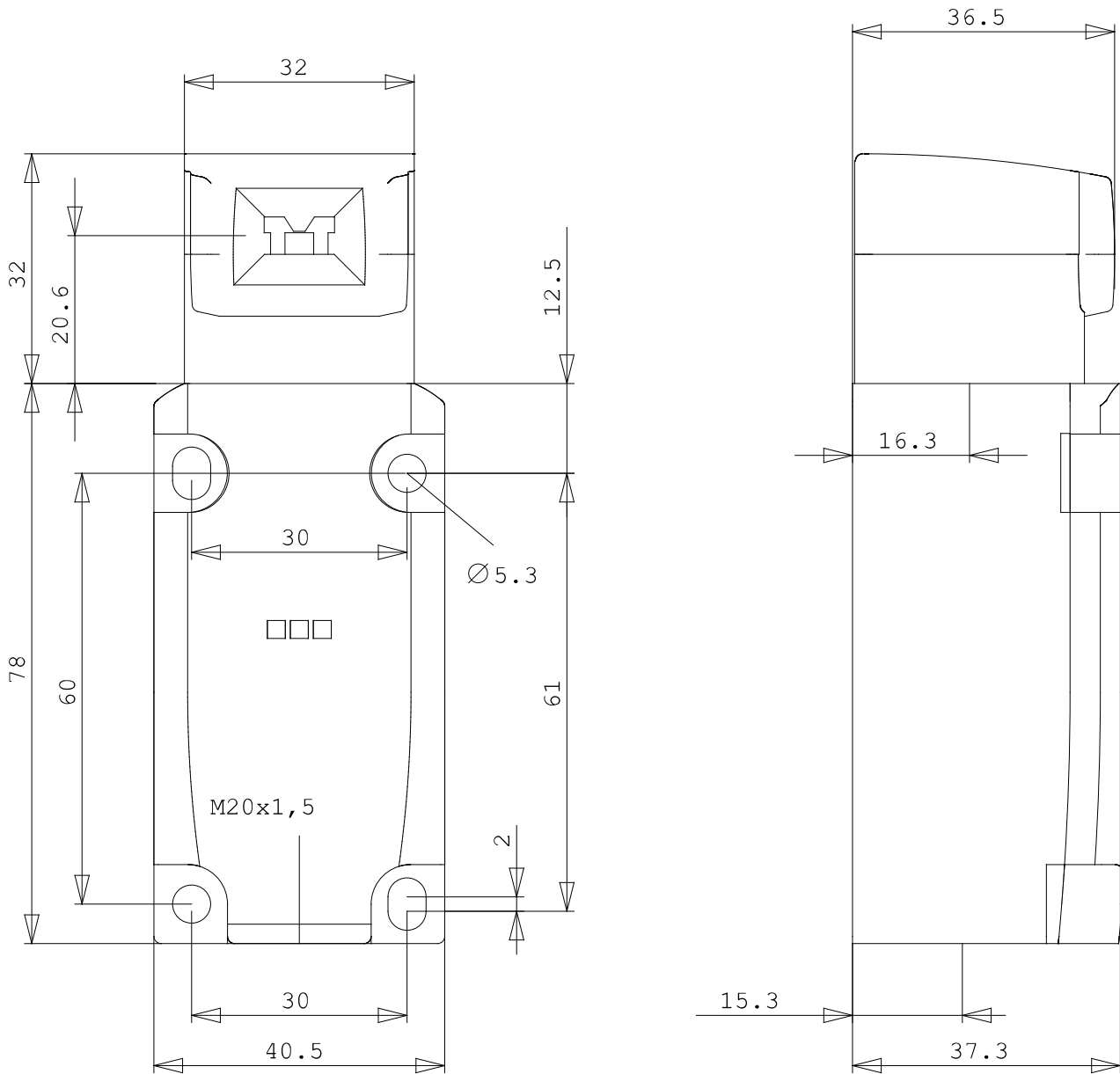
SAFETY POS. SWITCH W. SEPARATE ACTUATOR,  
METAL HOUSING, 40MM,  
1X(M20X1.5) SLOW-ACTION CONTACTS 2NC/1NO;  
W. 2 LEDS, 24V DC YELLOW/GREEN,  
5 DIRECTIONS OF APPROACH

### General technical details:

Product designation	position switch with separate actuator
Type of voltage / of the supply voltage • of the optional LED display	DC
Insulation voltage • rated value	400 V
Degree of pollution	class 3
Thermal current	6 A
Operating current • at AC-15 • at 24 V / rated value • at 125 V / rated value • at 230 V / rated value • at DC-13 • at 24 V / rated value • at 125 V / rated value	6 A 6 A 1.5 A 3 A 0.55 A

• at 230 V / rated value	0.27 A
Continuous current	
• of the slow DIAZED fuse link	6 A
• of the quick DIAZED fuse link	10 A
• of the C characteristic circuit breaker	1 A
Mechanical operating cycles as operating time	
• typical	1000000
Electrical operating cycles as operating time / with contactor 3RH11, 3RT1016, 3RT1017, 3RT1024, 3RT1025, 3RT1026	
• typical	1000000
Electrical operating cycles as operating time / at AC-15 / at 230 V	
• typical	100000
Electrical operating cycles in one hour	
• with contactor 3RH11, 3RT1016, 3RT1017, 3RT1024, 3RT1025, 3RT1026	6000
Repeat accuracy	0.1 mm
Design of the contact element	slow-action contacts
Number of NC contacts	
• for auxiliary contact	1
Design of the switching function	positive opening
Number of NO contacts	
• for auxiliary contact	2
Resistance against vibration	0,35 mm / 5g
Resistance against shock	30g / 11 ms
Ambient temperature	
• during the operating phase	
• minimum	-25 °C
• maximum	70 °C
• during storage	
• minimum	-40 °C
• maximum	90 °C
Product specification	
• for dimensions	EN 50041

Width of the sensor	40 mm
Material	
• of the housing	metal
Material / of the housing / of the switch head	metal
Design of the operating mechanism	5 directions of approach
Actuating speed	
• minimum	0.4 m/s
• maximum	0.5 m/s
Protection class IP	IP66/IP67
Built in orientation	any
Design of the cable entry (gland)	1 x (M20 x 1.5)
Design of the electrical connection	screw-type terminals
Manufacturer article number	
• of the optional actuators	3SE5000-0AV01 ... 3SE5000-0AV05: standard with vertical fixing, with transverse fixing, radius actuator, universal actuator



last change:

12/01/2007

<b>Technical Assistance:</b>	Telephone:	+49 (0) 911-895-5900 (8 <sup>00</sup> - 17 <sup>00</sup> CET)
	Fax:	+49 (0) 911-895-5907
	E-Mail:	technical-assistance@siemens.com
	Internet:	www.siemens.de/lowvoltage/technical-assistance