



Main

Range of product	Magelis GTO
Product or component type	Advanced touchscreen panel
Display colour	65536 colours
Display size	3.5 inch
Supply	External source
Control button type	Push-button, key type , marking: F1...F6, number of function keys = 6 (operation defined using Vijeo Designer)
Battery type	Lithium battery for internal RAM, autonomy: 100 days, charging time = 5 d, battery life = 10 yr

Complementary

Terminal type	Touchscreen display
Display type	Backlit colour TFT LCD
Display resolution	320 x 240 pixels QVGA
Touch sensitive zone	1024 x 1024
Touch panel	Resistive film, 1000000 cycles
Backlight lifespan	50000 hours (white) at 25 °C
Brightness	16 levels - control by software 16 levels - control by touch panel
Character font	ASCII (European characters) Chinese (simplified Chinese) Japanese (ANK, Kanji) Korean Taiwanese (traditional Chinese)
[Us] rated supply voltage	24 V DC
Supply voltage limits	19.2...28.8 V
Inrush current	<= 30 A
Power consumption in W	<= 9.6 W <= 4.3 W (when backlight is dimmed) <= 4.2 W (when backlight is OFF) <= 5.2 W (when power is not supplied to external devices)
Local signalling	Status LED (clear) faded power supply (OFF) Status LED (red) steady power supply (ON) Status LED (orange) flashing software starting up Status LED (green) steady operating Status LED (green) steady offline
Software designation	Vijeo Designer configuration software >= V6.1
Memory description	64 MB flash (EPROM)
Data backed up	128 kB internal RAM (SRAM)
Downloadable protocols	Third party protocols Siemens Simatic Third party protocols Rockwell Automation Allen-Bradley Third party protocols Omron Sysmac Third party protocols Mitsubishi Melsec FIPWAY Schneider Electric Modicon Modbus Plus Schneider Electric Modicon Uni-TE Schneider Electric Modicon Modbus Schneider Electric Modicon

The information provided in this documentation contains general descriptions and/or technical characteristics of the performance of the products contained herein. This documentation is not intended as a substitute for and is not to be used for determining suitability or reliability of these products for specific user applications. It is the duty of any such user or integrator to perform the appropriate and complete risk analysis, evaluation and testing of the products with respect to the relevant specific application or use thereof. Neither Schneider Electric Industries SAS nor any of its affiliates or subsidiaries shall be responsible or liable for misuse of the information contained herein.

Integrated connection type	USB 2.0 port mini B USB USB 2.0 port USB type A COM2 serial link RJ45, interface: RS485, transmission rate: 187.5 kbps compatible with Siemens MPI COM2 serial link RJ45, interface: RS485, transmission rate: 2400...115200 bps COM1 serial link SUB-D 9, interface: RS232C, transmission rate: 2400...115200 bps
Product mounting	Flush mounting
Fixing mode	By 4 screw clamps
Front material	PPT
Enclosure material	PPT
Type of cooling	Natural convection
Width	132 mm
Height	106 mm
Depth	42 mm
Product weight	0.4 kg

Environment

Standards	EN 61131-2 IEC 61000-6-2 UL 508
Product certifications	CE C-Tick CULus KCC
Ambient air temperature for operation	0...50 °C
Ambient air temperature for storage	-20...60 °C
Relative humidity	10...90 % without condensation
Operating altitude	< 2000 m
IP degree of protection	IP65 front panel conforming to IEC 60529 IP20 rear panel conforming to IEC 60529
NEMA degree of protection	NEMA 4X front panel (indoor use)
Shock resistance	147 m/s ² 3 chocks in each direction X, Y and Z conforming to EN/IEC 61131-2
Vibration resistance	3.5 mm (f = 5...9 Hz) conforming to EN/IEC 61131-2 X, Y, Z directions for 10 cycles (approx. 100 min) 9.8 m/s ² (f = 9...150 Hz) conforming to EN/IEC 61131-2 X, Y, Z directions for 10 cycles (approx. 100 min)
Resistance to electrostatic discharge	6 kV contact discharge conforming to IEC 61000-4-2 level 3

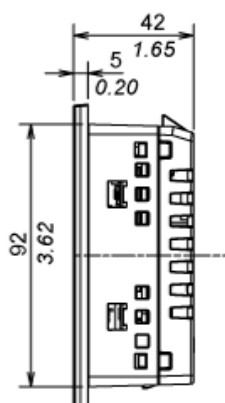
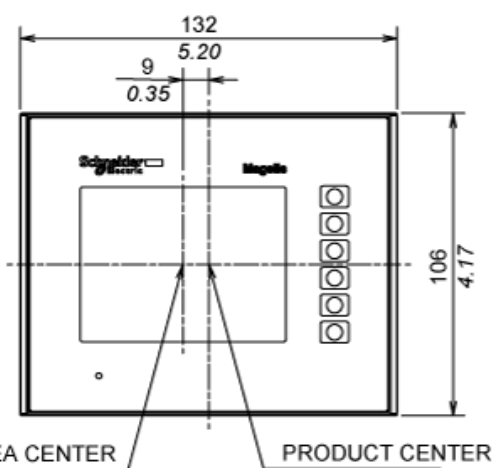
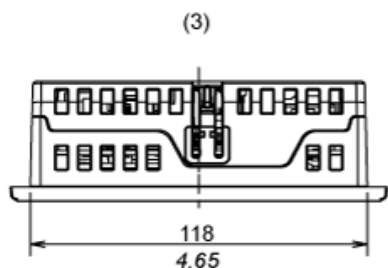
Offer Sustainability

Sustainable offer status	Green Premium product
RoHS (date code: YYWW)	Compliant - since 1348 - Schneider Electric declaration of conformity
REACH	Reference not containing SVHC above the threshold
Product environmental profile	Available Download Product Environmental
Product end of life instructions	Available Download End Of Life Manual

Dimensions

External Dimensions

$\frac{\text{mm}}{\text{in.}}$



DISPLAY AREA CENTER PRODUCT CENTER

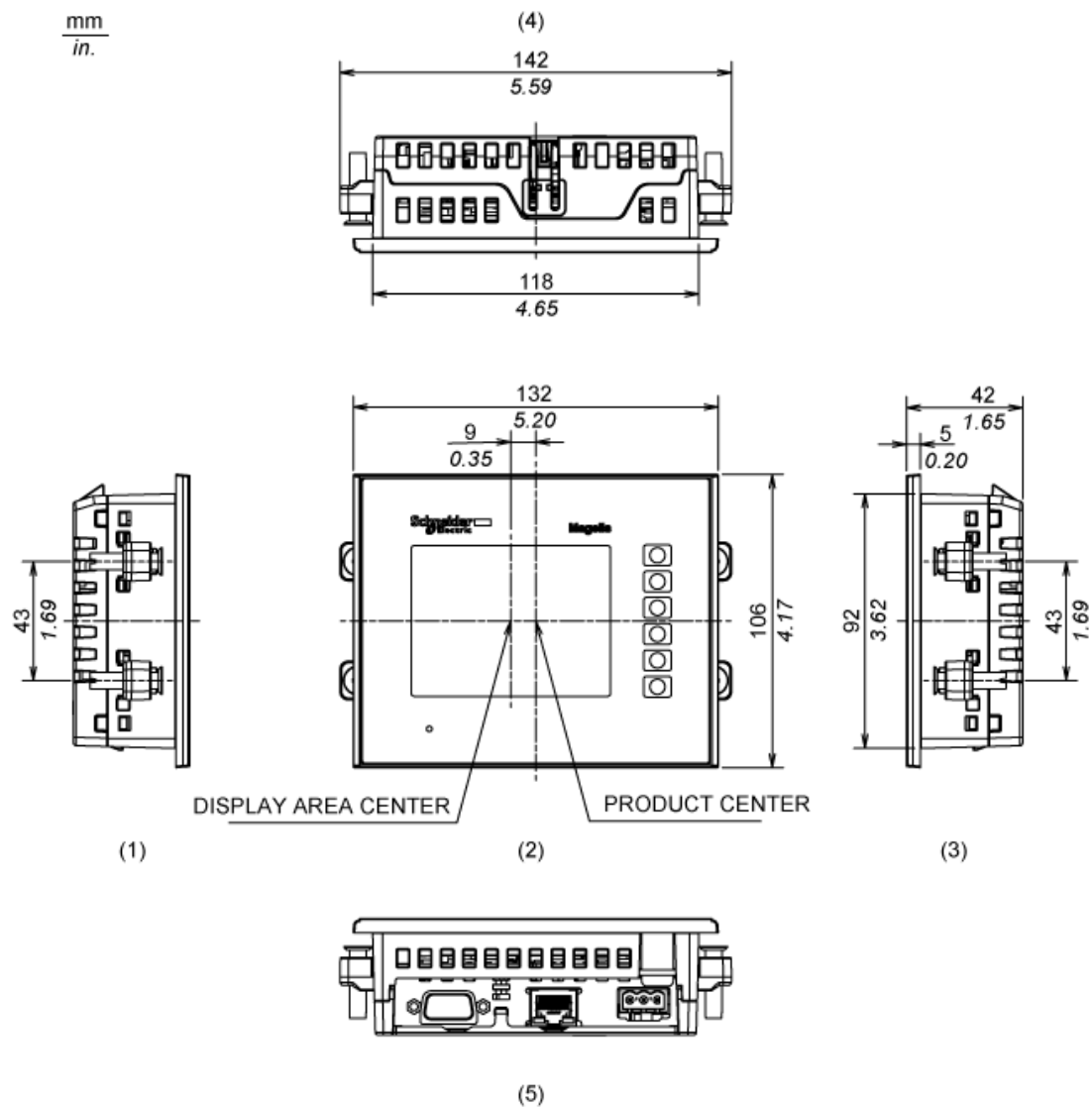
(1)

(2)

- 1 Front
- 2 Right Side
- 3 Top

Installation with Installation Fasteners

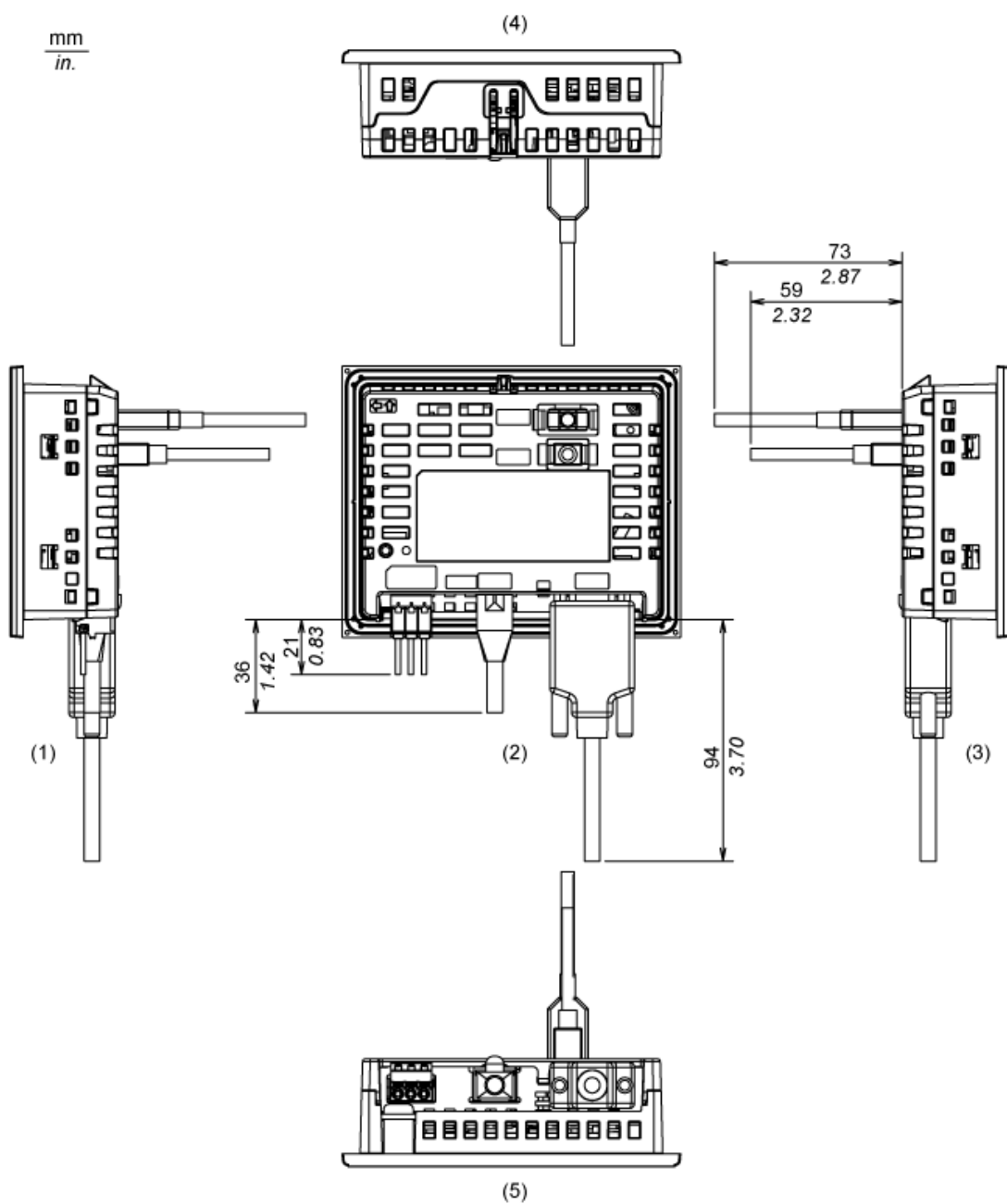
mm
in.



- 1 Left Side
- 2 Front
- 3 Right Side
- 4 Top
- 5 Bottom

Dimensions with Cables

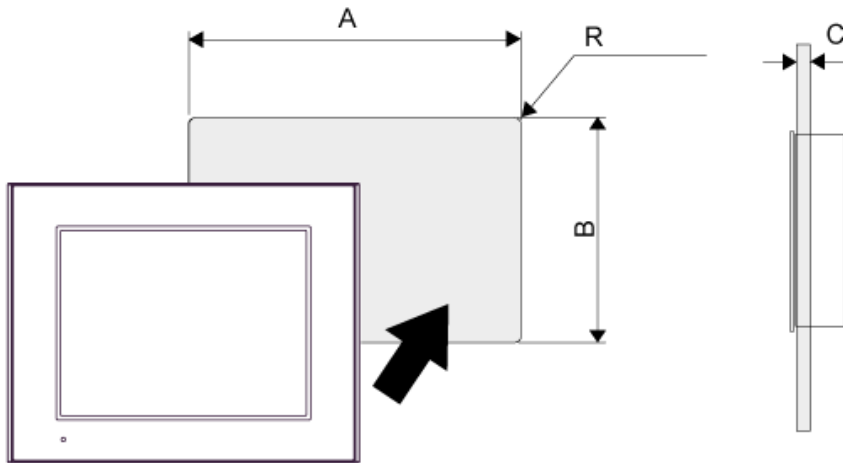
mm
in.



- 1 Left Side
- 2 Rear
- 3 Right Side
- 4 Top
- 5 Bottom

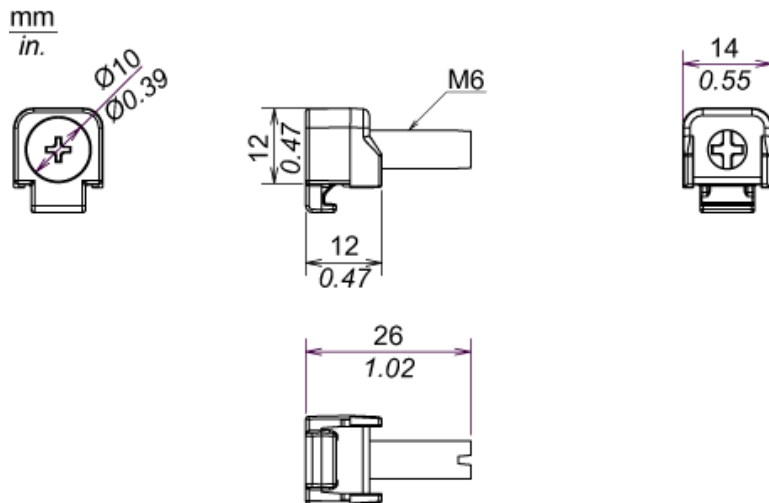
Mounting

Panel Cut Dimensions



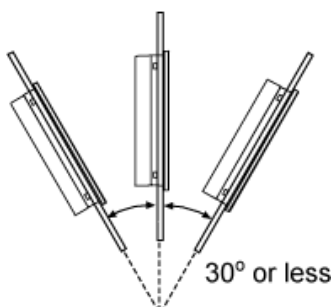
A		B		C		R	
mm	in.	mm	in.	mm	in.	mm	in.
118.5 (+1, -0)	4.67 (+0.04, -0)	92.5 (+1, -0)	3.64 (+0.04, -0)	1.6...5	0.06...0.2	3 max.	0.12 max.

Installation Fastener Dimensions



Installation Requirements

Mounting Angle



When installing the panel in a slanted position with an incline more than 30°, the ambient temperature must not exceed 40 °C (104 °F). You may need to use forced air cooling (fan,A/C) to ensure the ambient operating temperature is 40°C or less (104 °F or less).

Clearance

