



RS stock numbers : 397-0564, 397-0570, 725-9852, 725-9861, 725-9864, 725-9868, 725-9870, 725-9877, 725-9947, 756-4289, 869-7595, 869-7598, 869-7592, 869-7602, 124-2585, 124-2584, 124-2587, 124-2588



cynergy³™

RSF80 Series Compact Float Switch, External Fitting By 1/2"NPT

- 1/2"NPT external mount
- Available in Nylon, Polypropylene, PPS & PVDF
- WRAS and NSF approved versions
- Many variants are UL recognised components
- File No. E171218
- Flying lead or M12 connection



The RSF80 series are designed for mounting through the wall of a tank, via 1/2"NPT thread without requiring access to the inside of the tank.

Typical applications include diesel generators, hydraulic oil and gearbox oil levels.

They are manufactured in a range of plastics to suit most commonly used liquids.

The switch can be fitted to achieve either make on rise (N/O) or make on fall (N/C) action by simply rotating through 180°.

Available with either flying leads or M12 circular connector socket.

Cables are available for use with M12 connector versions.

Technical Specification	RSF83	RSF84	RSF88	RSF86	RSF87
Material	Nylon	Polypropylene WRAS approved	Polypropylene UL approved	Polyphenylene Sulphide (PPS)	Polyvinylidene Fluoride (PVDF)
Colour	Black	Opaque	White	Grey	Green
Temp. Range °C	-20 / +75	-20 / +100	-20 / +100	-10 / +120 *	-10 / +105
Temp. Range °F	-4 / +167	-4 / +212	-4 / +212	+14 / +248 *	+14 / +221
Min. Fluid SG	0.85	0.85	0.80	0.85	0.85
Must close level (SG=1)	7mm	8mm	8mm	9mm	9mm
Must open level (SG=1)	20mm	20mm	20mm	24mm	24mm

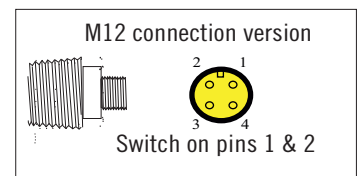
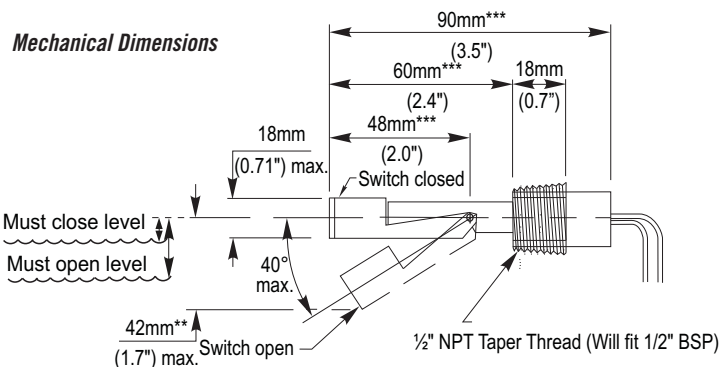
* Maximum temperature requires ETFE cable to be specified.

Electrical Specification	25W (Y code)	100W (H code)
Contact Form	N/O (N/C)	N/O (N/C)
Switching Power Max	VA	100
Switching Voltage AC Max	V	300
Switching Voltage DC Max	V	300
Switching Current Max	A	1

All ratings are for resistive load only.

RS Stock No.	Standard Parts	Material	Max Power	Leadouts	Approvals
725-9861	RSF83H100R	Nylon	100VA	100cm PVC 16/0.2	WRAS
725-9852	RSF83Y100R	Nylon	25VA	100cm PVC 16/0.2	WRAS
725-9864	RSF84H100R	Polypropylene	100VA	100cm PVC 16/0.2	WRAS & NSF
397-0564	RSF84Y100R	Polypropylene	25VA	100cm PVC 16/0.2	WRAS & NSF
725-9877	RSF86H050T	PPS	100VA	50cm ETFE 19/0.2	WRAS, UL & NSF
725-9870	RSF86H100R	PPS	100VA	100cm PVC 16/0.2	WRAS, UL & NSF
725-9868	RSF86Y050T	PPS	25VA	50cm ETFE 19/0.2	WRAS, UL & NSF
397-0570	RSF86Y100R	PPS	25VA	100cm PVC 16/0.2	WRAS, UL & NSF
1242585	RSF87H100G	PVDF	100VA	100cm PTFE 7/0.2	UL & NSF
1242584	RSF87Y100G	PVDF	25VA	100cm PTFE 7/0.2	UL & NSF
756-4289	RSF88H100R	Polypropylene UL	100VA	100cm PVC 16/0.2	UL
725-9947	RSF88Y100R	Polypropylene UL	25VA	100cm PVC 16/0.2	UL
	RSF83HP	Nylon	100VA	M12 connection	WRAS
869-7595	RSF83YP	Nylon	25VA	M12 connection	WRAS
	RSF84HP	Polypropylene	100VA	M12 connection	WRAS & NSF
869-7598	RSF84YP	Polypropylene	25VA	M12 connection	WRAS & NSF
	RSF86HP	PPS	100VA	M12 connection	WRAS, UL & NSF
869-7592	RSF86YP	PPS	25VA	M12 connection	WRAS, UL & NSF
1242588	RSF87HP	PVDF	100VA	M12 connection	UL & NSF
1242587	RSF87YP	PVDF	25VA	M12 connection	UL & NSF
	RSF88HP	Polypropylene UL	100VA	M12 connection	UL
869-7602	RSF88YP	Polypropylene UL	25VA	M12 connection	UL

Custom versions can be made for particular applications. Please contact Cynergy3 with your requirements.



Cynergy3 Components Ltd.
7 Cobham Road
Ferndown Industrial Estate
Wimborne, Dorset BH21 7PE
Telephone +44 (0) 1202 897969
Email:sales@cynergy3.com

ISO9001 CERTIFIED

RSF80 RS 2017

** 49mm RSF86 & RSF87

*** Add 10mm to dims, RSF86 & RSF87



Made in the UK

www.cynergy3.com