



### Main

|                              |   |
|------------------------------|---|
| Range of product             | Modicon M340 automation platform  |
| Product or component type    | Power supply module   |
| Backplane compatibility      | Not compatible with BMEXBP..02  |
| Primary voltage              | 100...240 V   |
| Supply circuit type          | AC  |
| Total useful secondary power | <= 36 W   |
| Secondary power              | 21.6 W 24 V DC sensor power supply<br>31.2 W 24 V DC I/O module power supply and processor<br>15 W 3.3 V DC I/O module logic power supply |

### Complementary

|                                |   |
|--------------------------------|---|
| Primary voltage limit          | 85...264 V  |
| Network frequency              | 50/60 Hz  |
| Network frequency limits       | 47...63 Hz  |
| Apparent power                 | 0.07 kVA  |
| Power supply input current     | 1.04 A 115 V<br>0.52 A 240 V  |
| Inrush current                 | <= 60 A 240 V<br><= 30 A 120 V  |
| I <sup>2</sup> t on activation | <= 3 A <sup>2</sup> .s 240 V<br><= 1 A <sup>2</sup> .s 120 V  |
| It on activation               | <= 0.07 A.s 240 V<br><= 0.05 A.s 120 V  |
| Protection type                | Short-circuit protection secondary circuit<br>Overvoltage protection secondary circuit<br>Overload protection secondary circuit<br>Internal fuse not accessible primary circuit |
| Current at secondary voltage   | 4.5 A 3.3 V DC I/O module logic power supply<br>1.3 A 24 V DC I/O module power supply and processor<br>0.9 A 24 V DC sensor power supply  |
| Power dissipation in W         | <= 8.5 W  |
| Status LED                     | 1 LED green sensor voltage<br>1 LED green rack voltage OK   |
| Control type                   | RESET push-button cold restart  |
| Electrical connection          | 1 connector 5 pin(s) line supply, protective earth, 24 V DC input sensor<br>1 connector 2 pin(s) alarm relay  |
| Insulation resistance          | >= 100 MOhm primary/secondary<br>>= 100 MOhm primary/ground   |
| Product weight                 | 0.36 kg   |

### Environment

|                                     |  |
|-------------------------------------|--|
| Immunity to microbreaks             | <= 1 ms  |
| Dielectric strength                 | 500 V 24 V sensor output/ground<br>1500 V primary/ground<br>2300 V primary/secondary sensor power supply<br>1500 V primary/secondary I/O module power supply and processor<br>1500 V primary/secondary I/O module logic power supply |
| IP degree of protection             | IP20   |
| Standards                           | EN 61131-2<br>IEC 61131-2  |
| Ambient air temperature for storage | -40...85 °C  |

|                                       |                                |
|---------------------------------------|--------------------------------|
| Ambient air temperature for operation | 0...60 °C                      |
| Relative humidity                     | 10...95 % without condensation |
| Protective treatment                  | TC                             |

### Offer Sustainability

|                               |  |
|-------------------------------|--|
| Sustainable offer status      | Not Green Premium product  |
| RoHS (date code: YYWW)        | Compliant - since 0722 - <a href="#">Schneider Electric declaration of conformity</a>    |
| REACH                         | Reference contains SVHC above the threshold - <a href="#">go to CaP for more details</a> |
| Product environmental profile | Available <a href="#">Download Product Environmental</a>                                 |

Modules Mounted on Racks

Dimensions

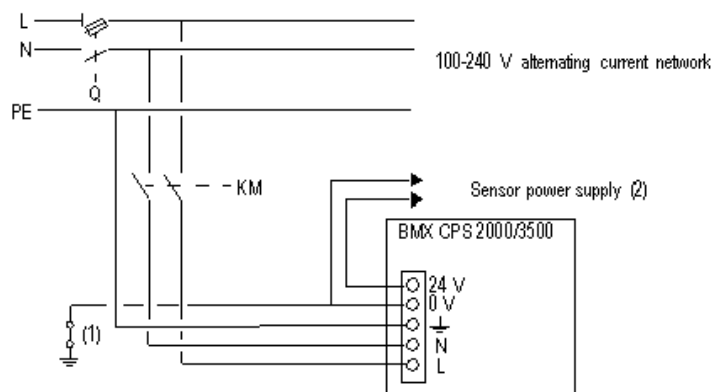


- (1) With removable terminal block (cage, screw or spring).
- (2) With FCN connector.
- (3) On AM1 ED rail: 35 mm wide, 15 mm deep. Only possible with BMXXBP0400/0400H/0600/0600H/0800/0800H rack.

| Rack references            | a in mm | a in in. |
|----------------------------|---------|----------|
| BMXXBP0400 and BMXXBP0400H | 242.4   | 09.54    |
| BMXXBP0600 and BMXXBP0600H | 307.6   | 12.11    |
| BMXXBP0800 and BMXXBP0800H | 372.8   | 14.68    |
| BMXXBP1200 and BMXXBP1200H | 503.2   | 19.81    |

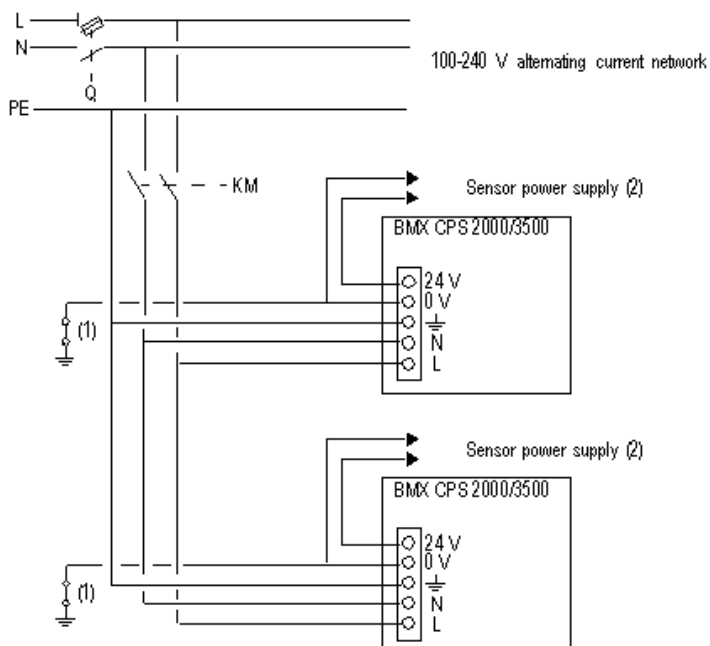
Connection of Alternating Current Power Supply Modules

Connection of a PLC Station Constituted of a Single Rack



- Q General isolator
- KM Line contactor or circuit breaker
- (1) Insulation connector bar for locating grounding errors
- (2) Available current of 0.45 A for the BMXCPS2000 module or 0.9 A for the BMXCPS3500 module

Connection of a PLC Station Constituted of Several Racks



- Q General isolator
- KM Line contactor or circuit breaker
- (1) Insulation connector bar for locating grounding errors
- (2) Available current of 0.45 A for the BMXCPS2000 module or 0.9 A for the BMXCPS3500 module