



Main

Range of product	Modicon M340 automation platform
Product or component type	Power supply module
Primary voltage	100...240 V
Supply circuit type	AC
Total useful secondary power	<= 20 W
Secondary power	8.3 W 3.3 V DC I/O module logic power supply 16.8 W 24 V DC I/O module power supply and processor 10.8 W 24 V DC sensor power supply

Complementary

Primary voltage limit	85...264 V
Network frequency	50/60 Hz
Network frequency limits	47...63 Hz
Apparent power	0.07 kVA
Power supply input current	0.61 A 115 V 0.31 A 240 V
Inrush current	<= 60 A 240 V <= 30 A 120 V
I ² t on activation	2...3 A ² s 240 V
I _t on activation	<= 0.06 A s 240 V <= 0.03 A s 120 V
Protection type	Short-circuit protection secondary circuit Overvoltage protection secondary circuit Overload protection secondary circuit Internal fuse not accessible primary circuit
Current at secondary voltage	2.5 A 3.3 V DC I/O module logic power supply 0.7 A 24 V DC I/O module power supply and processor 0.45 A 24 V DC sensor power supply
Power dissipation in W	<= 8.5 W
Status LED	1 LED green sensor voltage 1 LED green rack voltage OK
Control type	RESET pushbutton cold restart
Electrical connection	1 connector 5 pin(s) line supply, protective earth, 24 V DC input sensor 1 connector 2 pin(s) alarm relay
Insulation resistance	>= 100 MOhm primary/secondary >= 100 MOhm primary/ground
Product weight	0.3 kg

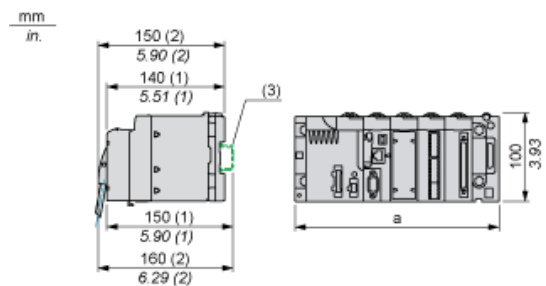
Environment

Immunity to microbreaks	<= 1 ms
Dielectric strength	500 V 24 V sensor output/ground 2300 V primary/secondary sensor power supply 1500 V primary/secondary I/O module power supply and processor 1500 V primary/secondary I/O module logic power supply 1500 V primary/ground
IP degree of protection	IP20
Standards	EN 61131-2 IEC 61131-2
Ambient air temperature for storage	-40...85 °C

Ambient air temperature for operation	0...60 °C
Relative humidity	10...95 % without condensation
Protective treatment	TC

Modules Mounted on Racks

Dimensions

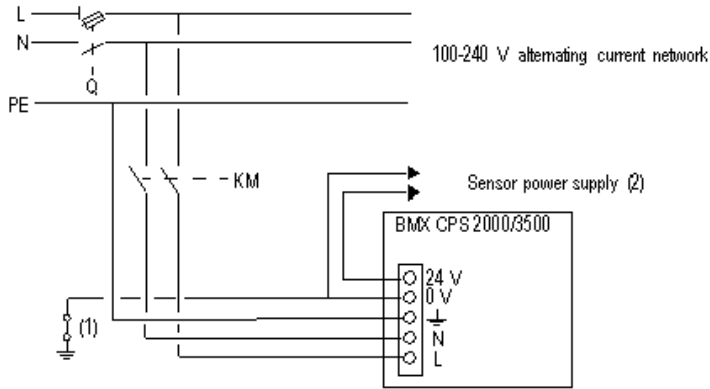


- (1) With removable terminal block (cage, screw or spring).
- (2) With FCN connector.
- (3) On AM1 ED rail: 35 mm wide, 15 mm deep. Only possible with BMXXBP0400/0400H/0600/0600H/0800/0800H rack.

Rack references	a in mm	a in in.
BMXXBP0400 and BMXXBP0400H	242.4	09.54
BMXXBP0600 and BMXXBP0600H	307.6	12.11
BMXXBP0800 and BMXXBP0800H	372.8	14.68
BMXXBP1200 and BMXXBP1200H	503.2	19.81

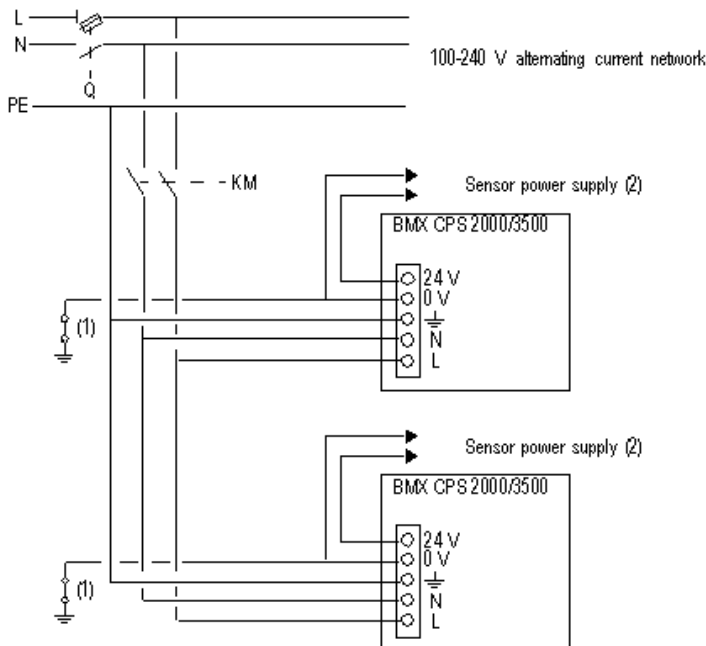
Connection of Alternating Current Power Supply Modules

Connection of a PLC Station Constituted of a Single Rack



- Q General isolator
- KM Line contactor or circuit breaker
- (1) Insulation connector bar for locating grounding errors
- (2) Available current of 0.45 A for the BMXCPS2000 module or 0.9 A for the BMXCPS3500 module

Connection of a PLC Station Constituted of Several Racks



- Q General isolator
- KM Line contactor or circuit breaker
- (1) Insulation connector bar for locating grounding errors
- (2) Available current of 0.45 A for the BMXCPS2000 module or 0.9 A for the BMXCPS3500 module