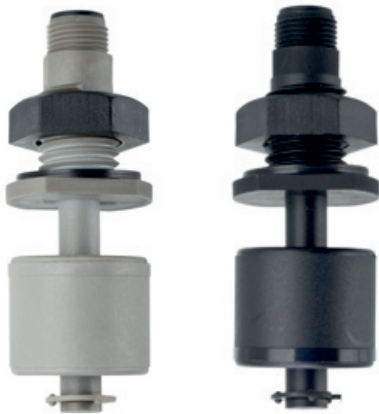




RS stock numbers : 8697551, 8697554, 8697558,
8697567, 1242594, 1242595, 1242596, 1242597



RSF150 Series Compact Internal Fitting Vertical Float Switch



- **Electrical connection via M12 connector**
- **Available in Nylon, Polypropylene, PPS & PVDF**
- **25VA & 100VA versions**
- **Many variants are UL recognised components**
File No. E171218
- **WRAS & NSF approved versions**

| Technical Specification | RSF153 | RSF154 | RSF158 | RSF156 | RSF157 |
|-------------------------|-----------|--------------------------------|------------------------------|---------------------------------|-----------------------------------|
| Material | Nylon | Polypropylene WRAS approved | Polypropylene UL approved | Polyphenylene Sulphide (PPS) | Polyvinylidene Fluoride (PVDF) |
| Colour | Black | Opaque | White | Grey | Green |
| Temp. Range °C | -20 / +75 | -20 / +100 | -20 / +100 | -10 / +105 | -10 / +105 |
| °F | -4 / +167 | -4 / +212 | -4 / +212 | +14 / +221 | +14 / +221 |
| Min. Fluid SG | 0.8 | 0.65 | 0.8 | 0.85 | 0.85 |
| Must close level (SG=1) | 11.5mm | 15mm | 15mm | 9.5mm | 9.5mm |
| Must open level (SG=1) | 22.5mm | 26mm | 26mm | 20.5mm | 20.5mm |

The RSF150 series are compact vertically mounted devices with a single switch point. Mounting is either from the top or bottom of a tank from the inside, so requires access to the inside of the tank.

These have M12 circular connectors for electrical connection.

Cables are available for use with M12 connectors.

Typical applications include vending machines, printing systems and chemical dosing equipment.

These can be manufactured in a variety of plastics, with a choice of gasket materials, to suit most commonly used liquids.

The switch action may be reversed by removing the float, inverting it, then refitting to the stem.

| Electrical Specification | 25W (Y code) | 100W (H code) |
|--------------------------|--------------|---------------|
| Contact Form | N/O (N/C) | N/O (N/C) |
| Switching Power Max | 25 VA | 100 |
| Switching Voltage AC Max | V | 300 |
| Switching Voltage DC Max | V | 300 |
| Switching Current Max | A | 1 |

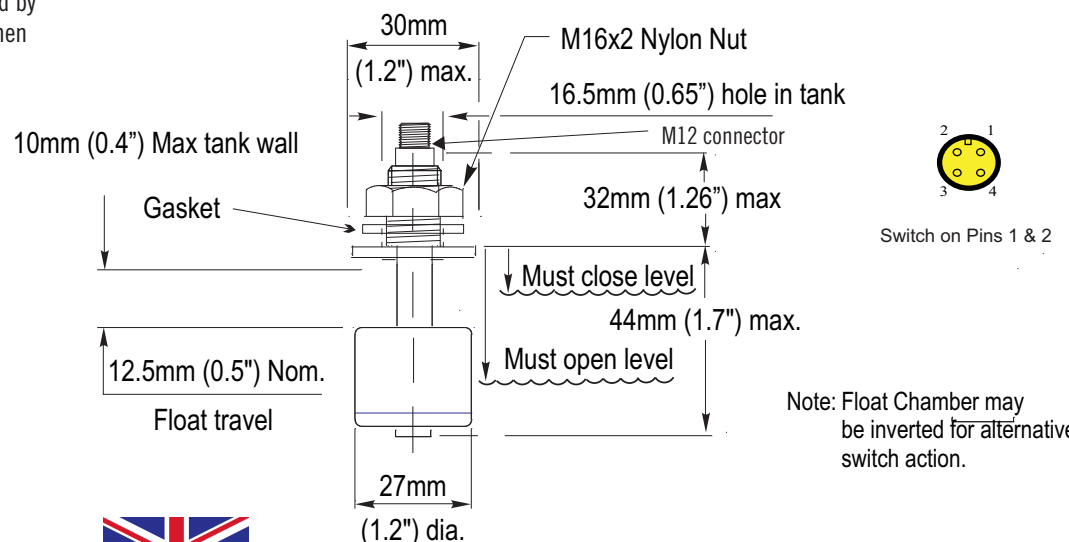
All ratings are for resistive load only.

| RS Stock No. | Standard Parts | Material | Temp Range | Max Power | Connection | Gasket | Approvals |
|--------------|----------------|---------------|-----------------|-----------|--------------|---------|----------------|
| 8697551 | RSF153HFP | Nylon | -20°C to +75°C | 100VA | M12 circular | Nitrile | WRAS |
| | RSF153YFP | Nylon | -20°C to +75°C | 25A | M12 circular | Nitrile | WRAS |
| 8697554 | RSF154HFP | Polypropylene | -20°C to +100°C | 100VA | M12 circular | Nitrile | WRAS & NSF |
| | RSF154YFP | Polypropylene | -20°C to +100°C | 25VA | M12 circular | Nitrile | WRAS & NSF |
| 8697558 | RSF156HFP | PPS | -10°C to +105°C | 100VA | M12 circular | Nitrile | WRAS, UL & NSF |
| | RSF156YFP | PPS | -10°C to +105°C | 25VA | M12 circular | Nitrile | WRAS, UL & NSF |
| 1242594 | RSF157HFP | PVDF | -10°C to +105°C | 100VA | M12 circular | Nitrile | UL & NSF |
| 1242595 | RSF157YFP | PVDF | -10°C to +105°C | 25VA | M12 circular | Nitrile | UL & NSF |
| 1242597 | RSF157HGP | PVDF | -10°C to +105°C | 100VA | M12 circular | Viton | UL & NSF |
| 1242596 | RSF157YGP | PVDF | -10°C to +105°C | 25VA | M12 circular | Viton | UL & NSF |
| | RSF158HFP | PP (UL) | -20°C to +100°C | 100VA | M12 circular | Nitrile | UL |
| 8697567 | RSF158YFP | PP (UL) | -20°C to +100°C | 25VA | M12 circular | Nitrile | UL |

Custom versions can be made for particular applications. Please contact Cynergy3 with your requirements.

Mechanical Dimensions

All dimensions are in millimeters (inches)



Cynergy3 Components Ltd.
7 Cobham Road
Ferndown Industrial Estate
Wimborne, Dorset BH21 7PE
Telephone +44 (0) 1202 897969
Email: sales@cynergy3.com

ISO9001 CERTIFIED

RSF150 RS 2017



Made in the UK

www.cynergy3.com