



RS stock numbers : 8697520, 1242557, 1242559,  
8697536, 1242589, 1242590, 8697548, 8697539,  
8697532, 8697545, 1242591, 1242593, 8697542



## RSF100 Series

### External Mount Miniature Vertical Float Switch



- External mount via compression seal
- Compact design with small diameter float
- Available in Nylon, Polypropylene, PPS and PVDF
- WRAS approved versions available

Technical Specification	RSF103	RSF104	RSF108	RSF106	RSF107
Material	Nylon	Polypropylene	Polypropylene	Polyphenylene Sulphide	PVDF
	WRAS approved	WRAS approved	UL approved	WRAS/UL	UL
Colour	Black	Opaque	White	Grey	Green
Temp. Range °C	-20 / +75	-20 / +100	-20 / +100	-10 / +120*	-10 / +105
°F	-4 / +167	-4 / +212	-4 / +212	+14 / +248*	+14 / +221
Min. Fluid SG	TBC	TBC	TBC	TBC	0.95

\* Maximum temperature requires ETFE cable to be specified.

Electrical Specification	25W (Y code)	100W (H code)
Contact Form	N/O (N/C)	N/O (N/C)
Switching Power Max	VA	25
Switching Voltage AC Max	V	240
Switching Voltage DC Max	V	120
Switching Current Max	A	0.6

All ratings are for resistive load only.

A compact vertically mounted design with a single switch point.

Mounting is in the top or bottom of a tank via a compression seal, so does not require access to the inside of the tank for fitting

Standard versions are 25VA and high power versions are available with 100VA switching capacity.

The switch action may be reversed by removing the float, inverting it, then refitting to the stem.

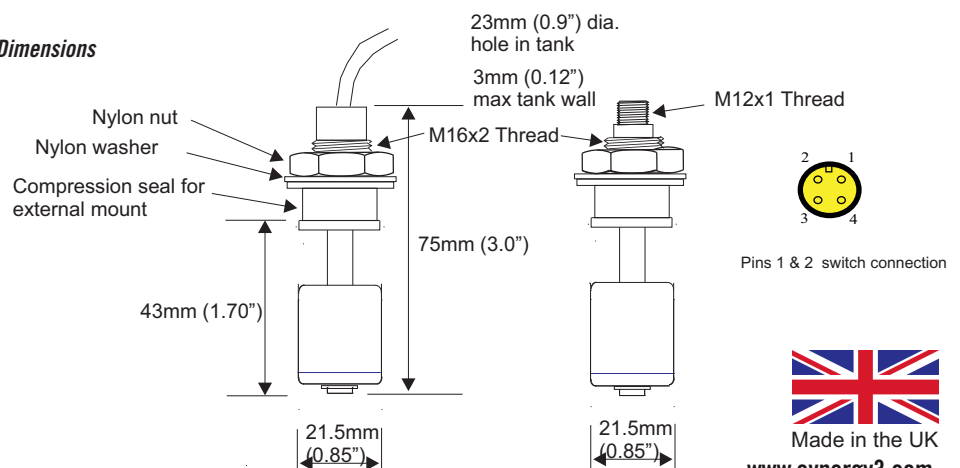
Available in flying lead of M12 connector versions.

Cables are available for use with M12 connection versions.

RS Stock No.	Standard Parts	Material	Max Power	Leadouts	Gasket
8697520	RSF103Y100JN	Nylon	25VA	100cm PVC 2 core 7/0.2	Nitrile
	RSF103H100JN	Nylon	100VA	100cm PVC 2 core 7/0.2	Nitrile
1242557	RSF104Y100JN	Polypropylene	25VA	100cm PVC 2 core 7/0.2	Nitrile
1242559	RSF104H100JN	Polypropylene	100VA	100cm PVC 2 core 7/0.2	Nitrile
8697536	RSF106Y100JV	Polyphenylene Sulphide	25VA	100cm PVC 2 core 7/0.2	Viton
	RSF106Y050TV	Polyphenylene Sulphide	25VA	50cm PTFE 2 core 7/0.2	Viton
	RSF106H100JN	Polyphenylene Sulphide	100VA	100cm PVC 2 core 7/0.2	Nitrile
	RSF106H050TV	Polyphenylene Sulphide	100VA	50cm PTFE 2 core 7/0.2	Viton
1242589	RSF107Y100GN	PVDF	25VA	100cm PTFE 2 core 7/0.2	Nitrile
1242590	RSF107H100GN	PVDF	100VA	100cm PTFE 2 core 7/0.2	Nitrile
	RSF107Y100GV	PVDF	25VA	100cm PTFE 2 core 7/0.2	Viton
	RSF107H100GV	PVDF	100VA	100cm PTFE 2 core 7/0.2	Viton
8697548	RSF108Y100JN	Polypropylene	25VA	100cm PVC 2 core 7/0.2	Nitrile
	RSF108H100JN	Polypropylene	100VA	100cm PVC 2 core 7/0.2	Nitrile
8697539	RSF103YNP	Nylon	25VA	M12 Connector	Nitrile
	RSF103HNP	Nylon	100VA	M12 Connector	Nitrile
8697532	RSF104YNP	Polypropylene	25VA	M12 Connector	Nitrile
	RSF104HNP	Polypropylene	100VA	M12 Connector	Nitrile
8697545	RSF106YVP	Polyphenylene Sulphide	25VA	M12 Connector	Viton
	RSF106HNP	Polyphenylene Sulphide	100VA	M12 Connector	Nitrile
	RSF107YNP	PVDF	25VA	M12 Connector	Nitrile
	RSF107HNP	PVDF	100VA	M12 Connector	Nitrile
1242591	RSF107YVP	PVDF	25VA	M12 Connector	Viton
1242593	RSF107HVP	PVDF	100VA	M12 Connector	Viton
8697542	RSF108YNP	Polypropylene	25VA	M12 Connector	Nitrile
	RSF108HNP	Polypropylene	100VA	M12 Connector	Nitrile

Custom versions can be made for particular applications. Please contact Cynergy3 with your requirements.

#### Mechanical Dimensions



Cynergy3 Components Ltd.  
7 Cobham Road  
Ferndown Industrial Estate  
Wimborne, Dorset BH21 7PE  
Telephone +44 (0) 1202 897969

Email: sales@cynergy3.com

ISO9001 CERTIFIED

RSF100 RS 2017