



EMERG. STOP SWITCH 3-POLE IU=32,  
P/AC-23A AT 400V=11.5KW 1NO+1NC,  
1 N-TERMINAL INSULATION-ENCLOSED,  
IP65 ROTARY ACTUATOR RED/YELLOW (EMERG. STOP)  
METRIC SCREW CONNECTION

Similar to image

**General technical details:**

|  |    |                                 |
|--|----|---------------------------------|
| <b>Product brand name</b>                          |    | SETRON                          |
| <b>product designation</b>                         |    | main and EMERGENCY-OFF switches |
| <b>Type from device</b>                            |    | fixed mounting                  |
| <b>Design of the operating mechanism</b>           |    | rotary actuator, red/yellow     |
| <b>Protection class IP</b>                         |    | IP65                            |
| <b>Number of poles</b>                             |    | 3                               |
| <b>Acceptability for application</b>               |    |                                 |
| • switch disconnecter                              |    | Yes                             |
| • main switch                                      |    | Yes                             |
| • safety cut-out switch                            |    | Yes                             |
| • emergency stop switch                            |    | Yes                             |
| • maintenance/repair switch                        |    | Yes                             |
| <b>Product equipment / interlock</b>               |    | Yes                             |
| <b>Type of the driving mechanism / motor drive</b> |    | No                              |
| <b>Product extension / optional</b>                |    |                                 |
| • motor drive                                      |    | No                              |
| • voltage trigger                                  |    | No                              |
| <b>Ambient temperature / during operating</b>      | °C | -25 ... +55                     |

|   |   |             |
|---|---|-------------|
| Insulation voltage / rated value  | V | 690         |
| Impulse voltage resistance / rated value  | V | 6,000       |
| Active power loss / per conductor / typical   | W | 1.8         |
| Mechanical operating cycles as operating time / of the main contacts / typical              |   | 100,000     |
| Protection against electrical shock   |   | finger-safe |
| Item designation / according to DIN EN 61346-2  |   | S           |
| Item designation / according to DIN 40719 extendable after IEC 204-2 / according to IEC 750 |   | S           |

#### Main circuit:

|  |     |           |
|--|-----|-----------|
| Continuous current / rated value   | A   | 32        |
| Operating current / at AC-21 / rated value   | A   | 32        |
| Short-time current resistance (I <sub>cw</sub> ) / at 690 V / limited to 1 s / rated value | A   | 640       |
| Operating frequency  | Hz  | 50 ... 60 |
| Operating voltage / at 50/60 Hz / for AC / rated value                                     | V   | 690       |
| Service power / at AC-3  |     |           |
| • at 400 V / rated value   | kW  | 9.5       |
| • at 690 V / rated value   | kW  | 9.5       |
| Service power / at AC-23 A   |     |           |
| • at 400 V / rated value   | kW  | 11.5      |
| • at 690 V / rated value   | kW  | 11.5      |
| Operating cycles / maximum   | 1/h | 50        |

#### Auxiliary circuit:

|  |   |     |
|--|---|-----|
| Number of NC contacts / for auxiliary contacts                   |   | 1   |
| Number of NO contacts / for auxiliary contacts                   |   | 1   |
| Number of change-over switches / for auxiliary contacts          |   | 0   |
| Continuous current / of the auxiliary contact / rated value      | A | 10  |
| Operating voltage / of the auxiliary contacts / for AC / maximum | V | 500 |
| Insulation voltage / of the auxiliary switch / rated value       | V | 500 |

#### Short-circuit:

|   |  |                  |
|---|--|------------------|
| Design of the fuse link / for short-circuit protection of the main circuit / necessary    |  | fuse gL/gG: 40 A |
| Design of the fuse link / for short-circuit protection of the auxiliary switch / required |  | fuse gL/gG: 10 A |

#### Installation/mounting/dimensions:

|  |  |                |
|--|--|----------------|
| Type of mounting                       |  | floor mounting |
| • front mounting                       |  | No             |
| • front mounting with central fixation |  | No             |

|                                       |    |     |
|---------------------------------------|----|-----|
| • front mounting with 4-hole fixation |    | No  |
| • series installation                 |    | No  |
| • Rail installation                   |    | No  |
| <b>Width</b>                          | mm | 100 |
| <b>Height</b>                         | mm | 152 |
| <b>Depth</b>                          | mm | 117 |

#### Connection type:

|   |  |  |
|---|--|--|
| <b>Design of the electrical connection / for main current circuit</b>       |  | connection terminals                                     |
| <b>Design of the electrical connection / for auxiliary contact</b>          |  | connection terminals                                     |
| <b>Type of the connectable conductor cross-section / for main contacts</b>  |  |  |
| • solid   |  | 1.5 ... 16 mm <sup>2</sup>                               |
| • finely stranded / with conductor end processing                           |  | 10 mm <sup>2</sup>                                       |
| • stranded  |  | 1.5 ... 16 mm <sup>2</sup>                               |
| <b>Type of connectable conductor cross section / for auxiliary contacts</b> |  |  |
| • solid   |  | 2x (0.75 to 2.5 mm <sup>2</sup> ), 1x 4 mm <sup>2</sup>  |
| • stranded  |  | 2x (0.75 ... 2.5 mm <sup>2</sup> ), 1x 4 mm <sup>2</sup> |

#### Certificates/approvals:

|  |                 |                |
|--|-----------------|----------------|
| <b>Verification of suitability</b>   |                 | CSA / UL / CCC |
| <b>Conductor cross section that can be connected / for main contacts / solid / minimum</b>   | mm <sup>2</sup> | 1.5            |
| <b>Conductor cross section that can be connected / for main contacts / solid / maximum</b>   | mm <sup>2</sup> | 16             |
| <b>Conductor cross section that can be connected / for main contacts / stranded / minimum</b>  | mm <sup>2</sup> | 1.5            |
| <b>Conductor cross section that can be connected / for main contacts / stranded / maximum</b>  | mm <sup>2</sup> | 16             |
| <b>Conductor cross-section that can be connected / for main contacts / stranded wire / with conductor end processing / maximum</b>     | mm <sup>2</sup> | 10             |
| <b>Conductor cross section that can be connected / for auxiliary contacts / solid / minimum</b>  | mm <sup>2</sup> | 0.75           |
| <b>Conductor cross section that can be connected / for auxiliary contacts / solid / maximum</b>  | mm <sup>2</sup> | 4              |
| <b>Conductor cross-section that can be connected / for auxiliary contact / stranded wire / with conductor end processing / minimum</b> | mm <sup>2</sup> | 0.75           |
| <b>Conductor cross-section that can be connected / for auxiliary contact / stranded wire / with conductor end processing / maximum</b> | mm <sup>2</sup> | 2.5            |
| <b>Conductor cross section that can be connected / for auxiliary contacts / stranded / min.</b>  | mm <sup>2</sup> | 0.75           |

Conductor cross section that can be connected / for auxiliary contacts / stranded / max.

mm<sup>2</sup>

4

#### Certificates/approvals:

##### General Product Approval



CSA

[ROSTEST](#)



UL

##### Test Certificates

[Manufacturer](#)

[other](#)

##### Shipping Approval



DNV



GL



LRS

[other](#)

[Manufacturer](#)

#### Further information:

##### Information- and Downloadcenter (Catalogs, Brochures,...)

<http://www.siemens.com/lowvoltage/catalogs>

##### Industry Mall (Online ordering system)

<http://www.siemens.com/lowvoltage/mall>

##### Service&Support (Manuals, Certificates, Characteristics, FAQs,...)

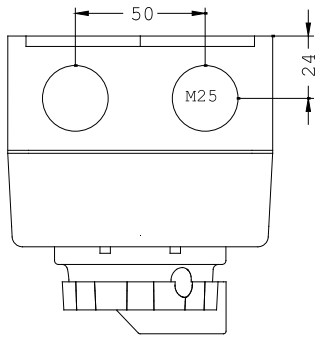
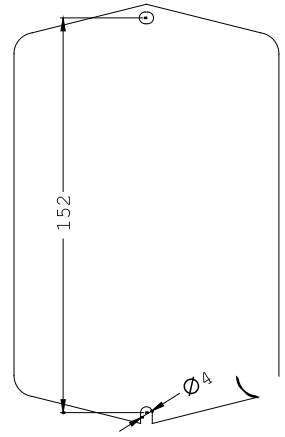
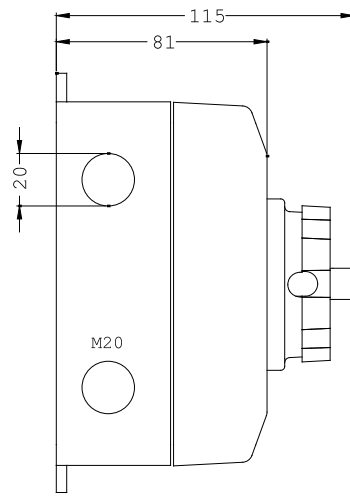
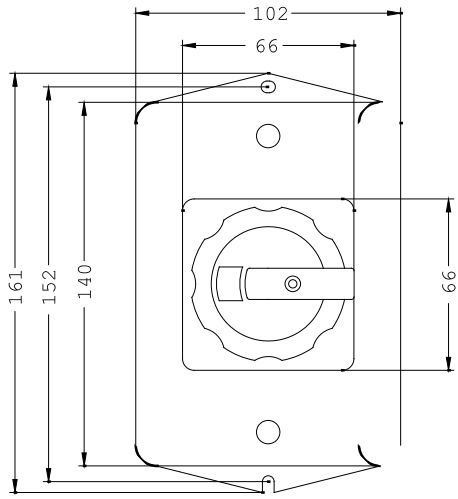
<http://support.automation.siemens.com/WW/view/en/3LD2264-1GP53/all>

##### Image database (product images, 2D dimension drawings, 3D models, device circuit diagrams, ...)

[http://www.automation.siemens.com/bilddb/cax\\_en.aspx?mlfb=3LD2264-1GP53](http://www.automation.siemens.com/bilddb/cax_en.aspx?mlfb=3LD2264-1GP53)

##### CAX-Online-Generator

<http://www.siemens.com/cax>



last change:

Dec 12, 2011