

170ADO35000

discrete output module Modicon Momentum -
32 O solid state



Main

Commercial Status	Commercialised
Range of product	Modicon Momentum automation platform
Product or component type	Discrete output base DC
Group of channels	2 groups of 16 outputs
Discrete output number	32
Discrete output type	Solid state switch
Discrete output voltage	24 V DC
Current per channel	<= 0.5 A
Short-circuit protection	Outputs electronically protected
Protective treatment	TC

Complementary

[Ue] rated operational voltage	24 V DC
Discrete output current	8 A per group 16 A per module
Leakage current	< 1 mA 24 V DC
Surge current	5 A 1 ms
Voltage drop	< 0.5 V 0.5 A at state 1
Output overload protection	Outputs electronically protected
Response time	0.1 ms from state 1 to state 0 0.1 ms from state 0 to state 1
Isolation between channels and bus	500 V AC
Power dissipation	6 W typical 7.5 W maximum
Marking	CE
Local signalling	32 LEDs channel status
Current consumption	250 mA 24 V DC
Terminals description PLC n°1	(1)OUT_DIS#1 (10)OUT_DIS#10 (11)OUT_DIS#11 (12)OUT_DIS#12 (13)OUT_DIS#13 (14)OUT_DIS#14 (15)OUT_DIS#15 (16)OUT_DIS#16 (2)OUT_DIS#2 (3)OUT_DIS#3 (4)OUT_DIS#4 (5)OUT_DIS#5 (6)OUT_DIS#6 (7)OUT_DIS#7 (8)OUT_DIS#8 (9)OUT_DIS#9 (L+)PW_POS (M-)PW_NEG TB

The information provided in this documentation contains general descriptions and/or technical characteristics of the performance of the products contained herein. This documentation is not intended as a substitute for and is not to be used for determining suitability or reliability of these products for specific user applications. It is the duty of any such user or integrator to perform the appropriate and complete risk analysis, evaluation and testing of the products with respect to the relevant specific application or use thereof. Neither Schneider Electric Industries SAS nor any of its affiliates or subsidiaries shall be responsible or liable for misuse of the information contained herein.

Terminals description PLC n°2	(1)OUT_DIS#17 (10)OUT_DIS#26 (11)OUT_DIS#27 (12)OUT_DIS#28 (13)OUT_DIS#29 (14)OUT_DIS#30 (15)OUT_DIS#31 (16)IN_DIS#32 (1L+)PW_POS (2)OUT_DIS#18 (2L+)PW_POS (3)OUT_DIS#19 (4)OUT_DIS#20 (5)OUT_DIS#21 (6)OUT_DIS#22 (7)OUT_DIS#23 (8)OUT_DIS#24 (9)OUT_DIS#25 TB_1
Depth	47.5 mm
Height	141.5 mm
Width	125 mm
Product weight	0.21 kg

Environment

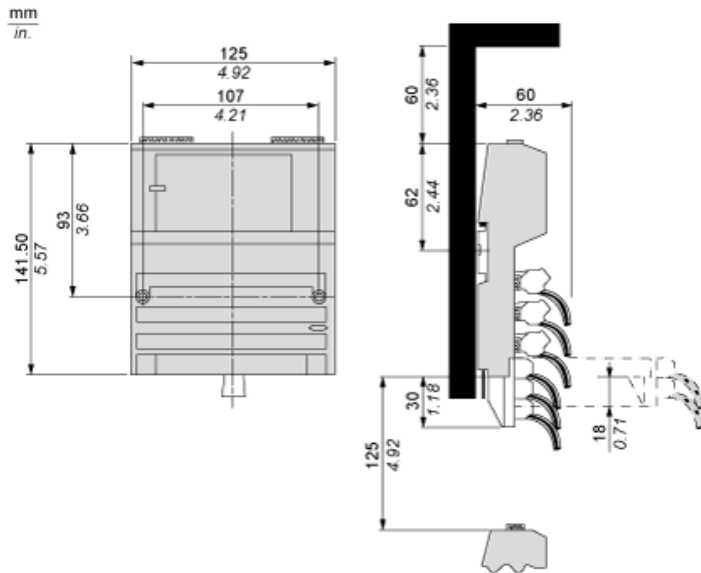
Product certifications	CSA UL
Resistance to electrostatic discharge	8 kV on air IEC 801-2 4 kV contact IEC 801-2
Resistance to electromagnetic fields	10 V/m 80...1000 MHz IEC 801-3
Ambient air temperature for operation	0...60 °C
Ambient air temperature for storage	-40...85 °C
Relative humidity	95 % without condensation
Operating altitude	<= 5000 m

Offer Sustainability

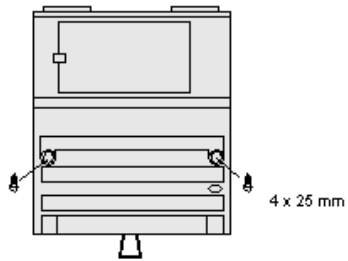
Sustainable offer status	Not Green Premium product
RoHS	Will be Compliant on 4Q2013

Standard Adapter on a Typical Base

Dimensions

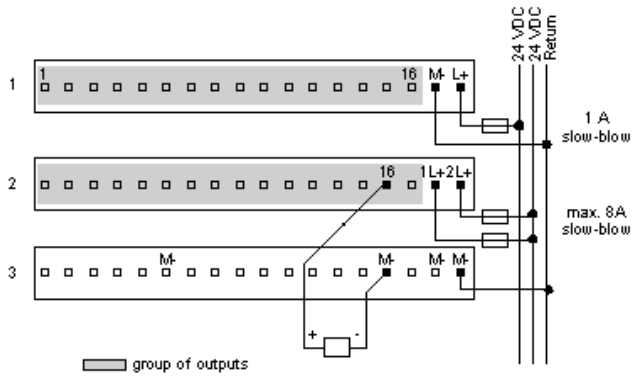


Mounting on a Wall

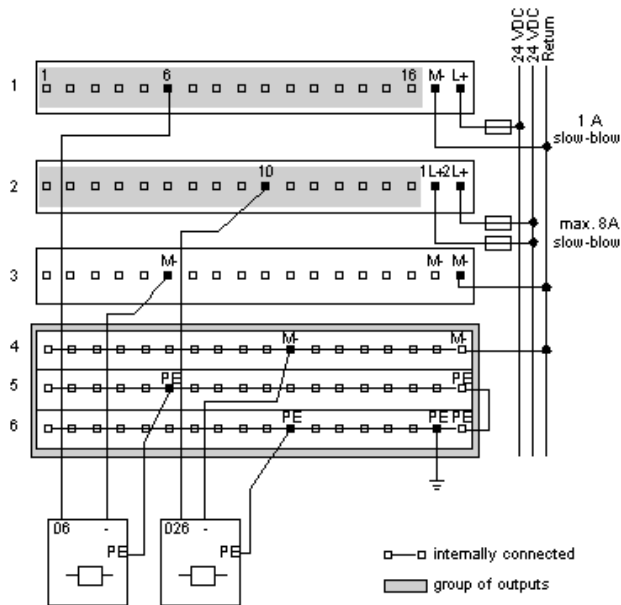


External Wiring Diagrams

2-Wire Actuator



3-Wire Actuators



Internal Pin Connections

Rows 1 through 3 show the internal connections between terminals on the I/O base. Rows 4 through 6 show the internal connections on the optional busbar.

