



Main

Range of product	Modicon Momentum automation platform
Product or component type	Analogue input base
Analogue input number	8
Analogue input type	Differential
Analogue input range	1...5 V 15 bits + sign > 0.1 kOhm +/- 5 V 14 bits + sign > 0.1 kOhm +/- 10 V 14 bits + sign > 0.1 kOhm 4...20 mA 15 bits + sign 250 kOhm +/- 20 mA 14 bits + sign 250 kOhm

Complementary

Data format	Full 16 bits signed
Absolute accuracy error	+/- 0.41 % full scale 60 °C +/- 20 mA +/- 0.38 % full scale 60 °C 4...20 mA +/- 0.32 % full scale 60 °C +/- 10 V +/- 0.32 % full scale 25 °C +/- 20 mA +/- 0.27 % full scale 25 °C 4...20 mA +/- 0.27 % full scale 25 °C +/- 10 V +/- 0.26 % full scale 60 °C +/- 5 V +/- 0.21 % full scale 25 °C +/- 5 V +/- 0.19 % full scale 60 °C 1...5 V +/- 0.13 % full scale 25 °C 1...5 V
Conversion time	<= 12 ms 8
Isolation between channels	+/- 200 V DC for 1 minute
Isolation between channels and ground	500 V AC for 1 minute
Isolation between channels and bus	500 V AC for 1 minute
Permissible common mode voltage	250 V 47...63 Hz AC between channels to ground 100 V 47...63 Hz DC between channels to ground
Common mode rejection	>= 80 dB between channels to ground
External power requirement	24 V DC 20.4...28.8 V DC < 382 mA DC
Reverse polarity protection	Internal
Marking	CE
Local signalling	8 LEDs channel status 1 LED green ready
Electrical connection	2 connectors for removable terminal blocks
Depth	47.5 mm
Height	125 mm
Width	141.5 mm
Product weight	0.215 kg

Environment

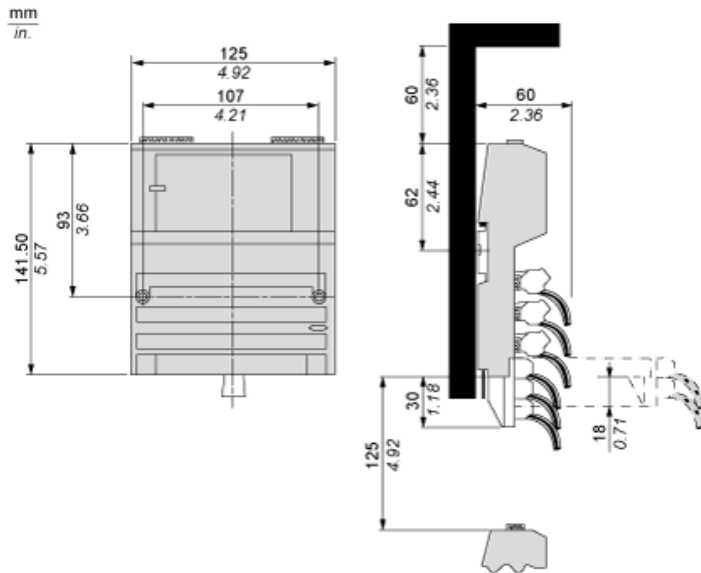
Standards	EN 50081-2 IEC 1131
Product certifications	CSA FM Class 1 Division 2 UL
Protective treatment	TC
Resistance to electrostatic discharge	8 kV on air IEC 801-2 4 kV contact IEC 801-2
Resistance to electromagnetic fields	10 V/m 80...1000 MHz IEC 801-3
Ambient air temperature for operation	0...60 °C
Ambient air temperature for storage	-40...85 °C
Relative humidity	95 % without condensation
Operating altitude	<= 5000 m

Offer Sustainability

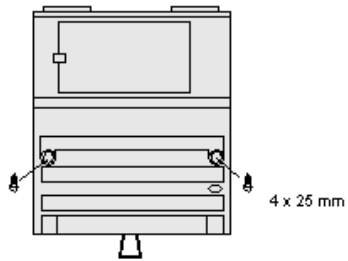
Sustainable offer status	Not Green Premium product
RoHS (date code: YYWW)	Will be Compliant on 4Q2013

Standard Adapter on a Typical Base

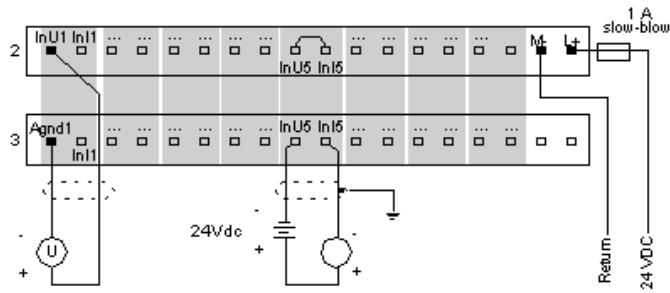
Dimensions



Mounting on a Wall



External Wiring Diagram



Examples
 * Channel1, wired for voltage input
 * Channel 5, wired for current input

Internal Pin Connections

