

Datasheet - AZM 200ST2-T-SD2P

Solenoid interlock / AZM 200



(Minor differences between the printed image and the original product may exist!)

- Guard locking monitored
- thermoplastic enclosure
- Electronic contact-free, coded system
- Connector M12, 8-pole
- serial diagnostic output
- Max. length of the sensor chain 200 m
- Self-monitoring series-wiring of 31 sensors
- 3 LEDs to show operating conditions
- Sensor technology permits an offset between actuator and interlock of ± 5 mm vertically and ± 3 mm horizontally
- Intelligent diagnosis
- Manual release

Ordering details

Product type description	AZM 200ST2-T-SD2P
Article number	101193287
EAN code	4030661355641
eCl@ss	27-27-26-03

Approval

Approval




Classification

interlocking function:

Standards	EN ISO 13849-1, IEC 61508, IEC 60947-5-3
PL	bis e
Control category	bis 4
PFH	$4.0 \times 10^{-9}/h$
PFD value	1.0×10^{-4}
SIL	bis 3
Mission time	20 Years
Classification	PDF-M

Global Properties

Product name	AZM 200
Standards	EN 60947-5-1, IEC 61508, EN ISO 13849-1, EN ISO 13849-1
Compliance with the Directives (Y/N) 	Yes
Suitable for safety functions (Y/N)	Yes
Protection rating	II
Series-wiring	up to 31 components
Length of the sensor chain	max. 200 m
Active principle	inductive
Duty cycle	100 %
Materials	
- Material of the housings	Plastic, glass-fibre reinforced thermoplastic
Housing coating	None
Weight	595 g
Guard locking monitored (Y/N)	Yes
Actuator monitored (Y/N)	No
Idle assignable pushbutton and LED (Y/N)	No
Reaction time	≤ 60 ms
Duration of risk	> 120 ms
Time to readiness	4000 ms
Recommended actuator	AZ/AZM 200-B1

Mechanical data

Design of electrical connection	Connector M12, 8-pole
Mechanical life	≥ 1.000.000 operations
restistance to shock	30 g / 11 ms
Resistance to vibration	10 ... 55 Hz, Amplitude 1 mm
Emergency unlocking device (Y/N)	No
Manual release (Y/N)	Yes
Emergency release (Y/N)	No
Latching force	30 N
Clamping force F_{max}	2000 N
Max. Actuating speed	≤ 0,2 m/s

Ambient conditions

Ambient temperature	
- Min. environmental temperature	-25 °C
- Max. environmental temperature	+60 °C
Storage and transport temperature	
- Min. Storage and transport temperature	-25 °C
- Max. Storage and transport temperature	+85 °C
Relative humidity	30% ... 95%
- non-condensing	
Protection class	IP67 to IEC/EN 60529
Air clearances and creepage distances To IEC/EN 60664-1	
- Rated impulse withstand voltage U_{imp}	0,8 kV
- Overvoltage category	III
- Degree of pollution	3

Electrical data

Number of auxiliary contacts	0 piece
Number of safety contacts	2 piece
Cross circuit/short circuit recognition possible (Y/N)	Yes
Power to unlock	Yes
Power to lock	No
Supply voltage U_B	
- Min. supply voltage	20.4 VDC
- Max. supply voltage	26.4 VDC
Switch frequency	1 Hz
Rated insulation voltage U_i	32 VDC
Operating current I_e	1.2 A
Utilisation category	DC-12, DC-13
No-load current I_0	0,6 A
Device insulation	≤ 2 A

Electrical data - Safety inputs

Safety inputs	X1 and X2
Rated operating voltage U_e	- 3 V ... 5 V (Low) 15 V ... 30 V (High)
Operating current I_e	> 2 mA / 24 V

Electrical data - Safety outputs

Safety outputs	Y1 and Y2
Fuse rating	short-circuit proof, p-type
Rated operating voltage	0 V ... 4 V under Supply voltage U_B
Residual current I_r	$\leq 0,5$ mA
Operating current I_e	0,25 A
Utilisation category	DC-12, DC-13

Electrical data - Diagnostic output

Serial diagnostics (Y/N)	Yes
Wiring capacitance for serial diagnostics diagnostic signals	max. 50 nF to SD-interface
Operating principle of the diagnostic output notice	The short-circuit proof diagnostic output OUT can be used for central visualisation or control tasks, e.g. in a PLC. The diagnostic output is not a safety-relevant output!

Electrical data - Solenoid control IN

Control command	Interlocking the solenoid interlock
-----------------	-------------------------------------

LED switching conditions display

LED switching conditions display (Y/N)	Yes
LED switching conditions display	
- Supply voltage U_B	green LED
- switching condition	yellow LED
- Error functional defect	red LED

ATEX

Explosion protection categories for gases	None
Explosion protected category for dusts	None

Dimensions

Dimensions of the sensor

- Width of sensor	40 mm
- Height of sensor	220 mm
- Length of sensor	50 mm

Pin assignment

1	A1 Supply voltage U _B
2	X1 Safety input 1
3	A2 GND
4	Y1 Safety output 1
5	OUT serial diagnostic output
6	X2 Safety input 2
7	Y2 Safety output 2
8	IN serial diagnostic input

notice

As long as the actuating unit remains inserted in the solenoid interlock, the unlocked safety guard can be relocked. The safety outputs then will be enabled again; opening the safety guard therefore is not required.

Included in delivery

Included in delivery	AZM 200 Triangular key
----------------------	---------------------------

Actuators must be ordered separately.

Indication legend

see drawing: Wiring example

With the represented power-to-unlock principle, the solenoid is energised to enable the opening.

With the alternative power-to-lock principle (not represented), the solenoid must be energised to keep the device in closed condition.

Ordering code

AZM 200(1)(2)-T-(3)(4)

(1)

without

B Guard locking monitored

B Actuator monitored

(2)
SK Screw connection
CC Spring pulley connection
ST1 connector M23 x 1, (8+1-pole)

ST2 connector M12 x 1, 8-pole

(3)

1P2P 1 Diagnostic output and 2 Safety outputs, p-type

1P2PW gleich - 1P2P, combined diagnostic signal: guard door closed and interlocking device locked

SD2P serial diagnostic output and 2 Safety outputs, p-type

(4)

without

Power to unlock

A

Power to lock

Documents

Operating instructions and Declaration of conformity (pl) 363 kB, 11.02.2015

Code: mrl_azm200t_pl

Operating instructions and Declaration of conformity (jp) 416 kB, 20.02.2013

Code: mrl_azm200t_jp

Operating instructions and Declaration of conformity (es) 345 kB, 13.02.2015

Code: mrl_azm200t_es

Operating instructions and Declaration of conformity (en) 343 kB, 14.04.2015

Code: mrl_azm200t_en

Operating instructions and Declaration of conformity (pt) 346 kB, 26.06.2012

Code: mrl_azm200t_pt

Operating instructions and Declaration of conformity (fr) 346 kB, 13.02.2015

Code: mrl_azm200t_fr

Operating instructions and Declaration of conformity (it) 342 kB, 13.02.2015

Code: mrl_azm200t_it

Operating instructions and Declaration of conformity (de) 349 kB, 14.04.2015

Code: mrl_azm200t_de

Operating instructions and Declaration of conformity (nl) 341 kB, 24.03.2015

Code: mrl_azm200t_nl

Operating instructions and Declaration of conformity (da) 312 kB, 22.08.2013

Code: mrl_azm200t_da

Operating instructions and Declaration of conformity (sv) 340 kB, 19.03.2012

Code: mrl_azm200t_sv

Wiring example (99) 22 kB, 12.01.2009

Code: kazm2I27

Diagnosis tables (en) 136 kB, 12.01.2009

Code: b_tabp02

Diagnosis tables (de) 135 kB, 12.01.2009

Code: b_tabp01

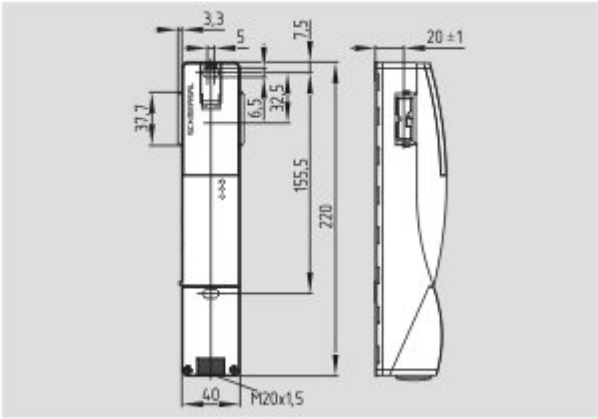
TÜV certification (de, en) 599 kB, 25.03.2015

Code: z_azmp04

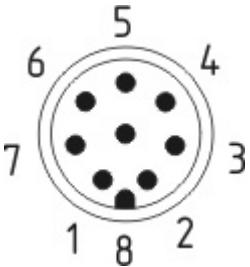
Gost certification (ru) 1 MB, 21.06.2007

Code: q_azmp01

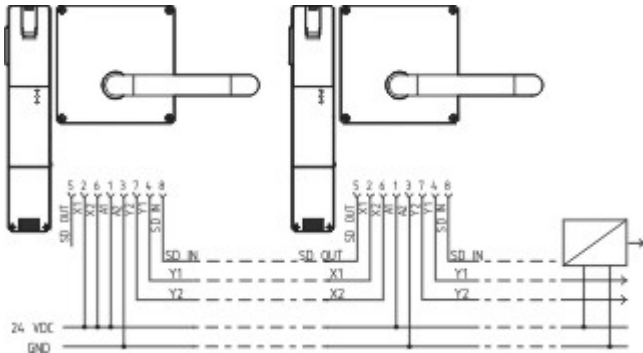
Images



Dimensional drawing (miscellaneous)



Contact arrangement



Wiring example

System components

Actuator



101183465 - AZ/AZM 200-B1-LT

- Actuators with return spring
- Actuator for sliding guards
- Tolerates up to max. 5 mm overtravel



101183466 - AZ/AZM 200-B1-LTP0

- Actuators with return spring
- Actuator for sliding guards
- Tolerates up to max. 5 mm overtravel



101183469 - AZ/AZM 200-B1-RT

- Actuators with return spring
- Actuator for sliding guards
- Tolerates up to max. 5 mm overtravel



101183470 - AZ/AZM 200-B1-RTP0

- Actuators with return spring
- Actuator for sliding guards
- Tolerates up to max. 5 mm overtravel



101178681 - AZ/AZM 200-B30-LTAG1

- Actuator for hinged guards
- With door detection sensor T
- Easy and intuitive operation
- No risk of injury from protruding actuator
- No supplementary door handles required
- Does not protrude into the door opening
- Various handles available



101178668 - AZ/AZM 200-B30-LTAG1P1

- One-hand emergency exit, even in de-energised condition
- Actuator for hinged guards
- Easy and intuitive operation
- With door detection sensor T
- No risk of injury from protruding actuator
- No supplementary door handles required
- Does not protrude into the door opening
- Various handles available



101186150 - AZ/AZM 200-B30-LTAG1P20

- One-hand emergency exit, even in de-energised condition
- Actuator for hinged guards
- Easy and intuitive operation
- With door detection sensor T
- No risk of injury from protruding actuator
- No supplementary door handles required
- Does not protrude into the door opening
- Various handles available

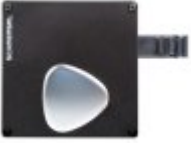


101192102 - AZ/AZM 200-B30-LTAG1P25

- One-hand emergency exit, even in de-energised condition
- Actuator for hinged guards
- Easy and intuitive operation
- With door detection sensor T
- No risk of injury from protruding actuator
- No supplementary door handles required
- Does not protrude into the door opening
- Various handles available

101181137 - AZ/AZM 200-B30-LTAG2

- Actuator for hinged guards
- With door detection sensor T



- Easy and intuitive operation
- No risk of injury from protruding actuator
- No supplementary door handles required
- Does not protrude into the door opening
- Various handles available

101181141 - AZ/AZM 200-B30-LTAG2P1



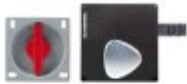
- One-hand emergency exit, even in de-energised condition
- Actuator for hinged guards
- With door detection sensor T
- Easy and intuitive operation
- No risk of injury from protruding actuator
- No supplementary door handles required
- Does not protrude into the door opening
- Various handles available

101189020 - AZ/AZM 200-B30-LTAG2P20



- One-hand emergency exit, even in de-energised condition
- Actuator for hinged guards
- Easy and intuitive operation
- With door detection sensor T
- No risk of injury from protruding actuator
- No supplementary door handles required
- Does not protrude into the door opening
- Various handles available

101192106 - AZ/AZM 200-B30-LTAG2P25



- One-hand emergency exit, even in de-energised condition
- Actuator for hinged guards
- Easy and intuitive operation
- With door detection sensor T
- No risk of injury from protruding actuator
- No supplementary door handles required
- Does not protrude into the door opening
- Various handles available

101178680 - AZ/AZM 200-B30-RTAG1



- Actuator for hinged guards
- With door detection sensor T
- Easy and intuitive operation
- No risk of injury from protruding actuator
- No supplementary door handles required
- Does not protrude into the door opening
- Various handles available

101178738 - AZ/AZM 200-B30-RTAG1P1



- One-hand emergency exit, even in de-energised condition
- Actuator for hinged guards
- Easy and intuitive operation
- With door detection sensor T
- No risk of injury from protruding actuator
- No supplementary door handles required
- Does not protrude into the door opening
- Various handles available



101186144 - AZ/AZM 200-B30-RTAG1P20

- One-hand emergency exit, even in de-energised condition
- Actuator for hinged guards
- Easy and intuitive operation
- With door detection sensor T
- No risk of injury from protruding actuator
- No supplementary door handles required
- Does not protrude into the door opening
- Various handles available



101192103 - AZ/AZM 200-B30-RTAG1P25

- One-hand emergency exit, even in de-energised condition
- Actuator for hinged guards
- Easy and intuitive operation
- With door detection sensor T
- No risk of injury from protruding actuator
- No supplementary door handles required
- Does not protrude into the door opening
- Various handles available



101181139 - AZ/AZM 200-B30-RTAG2

- Actuator for hinged guards
- With door detection sensor T
- Easy and intuitive operation
- No risk of injury from protruding actuator
- No supplementary door handles required
- Does not protrude into the door opening
- Various handles available



101181143 - AZ/AZM 200-B30-RTAG2P1

- One-hand emergency exit, even in de-energised condition
- Actuator for hinged guards
- Easy and intuitive operation
- With door detection sensor T
- No risk of injury from protruding actuator
- No supplementary door handles required
- Does not protrude into the door opening
- Various handles available



101191659 - AZ/AZM 200-B30-RTAG2P20

- One-hand emergency exit, even in de-energised condition
- Actuator for hinged guards
- Easy and intuitive operation
- With door detection sensor T
- No risk of injury from protruding actuator
- No supplementary door handles required
- Does not protrude into the door opening
- Various handles available



101192104 - AZ/AZM 200-B30-RTAG2P25

- One-hand emergency exit, even in de-energised condition
- Actuator for hinged guards
- Easy and intuitive operation
- With door detection sensor T
- No risk of injury from protruding actuator

- No supplementary door handles required
 - Does not protrude into the door opening
 - Various handles available
-

Connector



A-K8M12

- Pre-wired cable
 - 8-pole
-

K.A. Schmersal GmbH & Co. KG, Möddinghofe 30, D-42279 Wuppertal

The data and values have been checked thoroughly. Technical modifications and errors excepted.

Generiert am 30.05.2015 - 14:14:34h Kasbase 3.1.12.F.64l