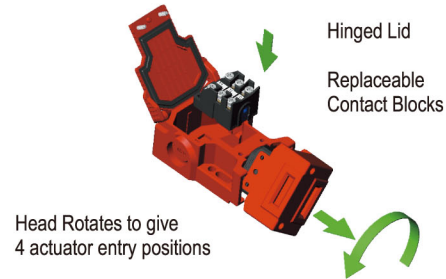
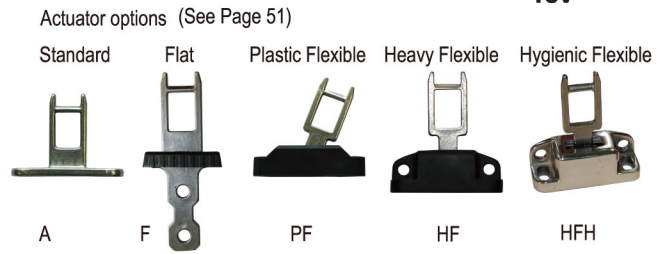


Kobra - Tongue Switches - Type: KP & KP-SS



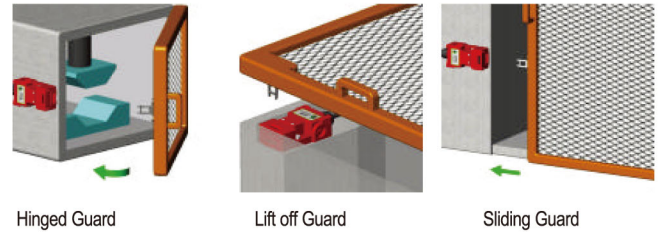
IDEM KP Interlock switches are designed to provide position interlock detection for moving guards.

They are designed to fit to the leading edge of sliding, hinged or lift off machine guards. They provide a forced disconnect of the safety contacts at the withdrawal of the actuator and have an anti-tamper mechanism.



The head can be rotated to give 4 actuator entry positions. For extra durability, Flexible Actuators and Stainless Steel head versions are available.

Contact blocks are replaceable with optional explosion proof versions. They are sealed to IP67 and survive most wash down solutions due to the high material specification.



Functional Specification:

Positive break contacts to IEC 60947-5-1

High Functional Safety to ISO 13849-1

3 pole, 4 pole or Explosion Proof Contact Blocks

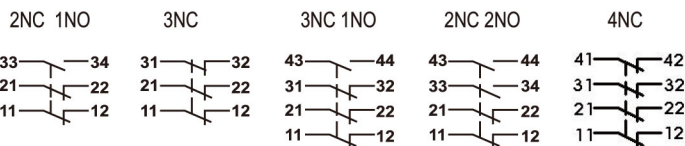
Stainless Steel Head version available

Connects to most Safety Relays to give up to PLe Cat.4.

Industry Fitting 52mm wide 98mm long 40mm fixing

Pre-Wired Explosion Proof

Contact Block Options:

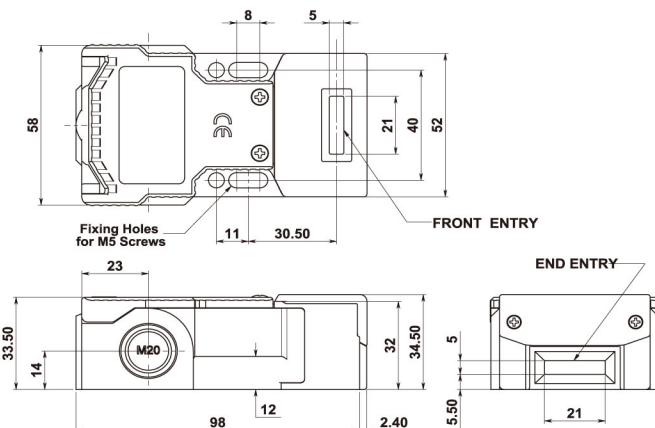


Classification Exd IIC T6 (-20 ≤ Ta ≤ +60C) Gb
Ex tb IIIC T85C (-20 ≤ Ta ≤ +60C) Db

Standards EN1088 IEC 60947-5-1 EN 60204-1
ISO 13849-1 EN62061 EN 954-1 UL508

Safety Classification and Reliability Data:

Mechanical Reliability B10d	2.5 x 10 ⁶ operations at 100mA load
EN 954-1	up to Category 4 with Safety Relay
ISO 13849-1	up to PLe depending upon system architecture
EN 62061	up to SIL3 depending upon system architecture
Safety Data - Annual Usage	8 cycles per hour / 24 hours per day / 365 days
PFHd	3.44 x 10 ⁻⁸
Proof Test Interval (Life)	35 years
MTTFd	356 years
Utilization Category	AC15 A300 3A.
Thermal Current (Ith)	5A
Rated Insulation / Withstand Voltages	500VAC / 2500 VAC
Travel for Positive Opening	8mm
Actuator entry minimum radius	175mm Standard 100mm Flexible
Maximum Approach / Withdrawal speed	600mm/s.
Body Material	Polyester
Head Material	Polyester or Stainless Steel 316
Enclosure Protection	IP67
Operating Temperature	-25C. +80C
Vibration	IEC 68-2-6, 10-55Hz+1Hz, Excursion: 0.35mm, 1 octave/min
Conduit Entry	Various (See Sales Part Numbers)
Fixing	2 x M5



For all IDEM switches the normally closed (NC) circuits are closed when the guard is closed actuator inserted.

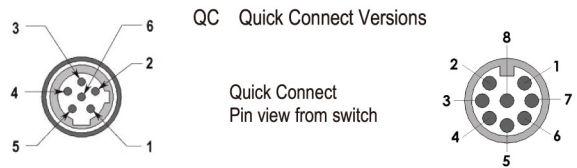
Kobra - Tongue Switches - Type: KP & KP-SS



Contact operation at withdrawal of Actuator

2NC 1NO			3NC (1NO)		
	6.8	6.0	0 mm		
11/12	Open				
21/22	Open				
33/34		Open			

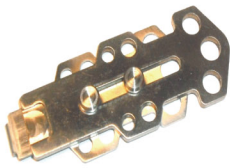
4NC			2NC 2NO		
	6.0	0 mm			
11/12	Open				
21/22	Open				
31/32	Open				
41/42	Open				



Quick Connect (QC) 1/2" UNF 6 Way Male (connector length 14mm)	Switch Circuit	Quick Connect (QC) M12 8 Way Male (on Flying Lead 250mm) Pin view from switch
1 5	11 / 12	1 7
2 6	21 / 22	6 5
3 4	33 / 34 or 31 / 32	4 3
	41 / 42 or 43 / 44	8 2

Accessories: (See Page 50)

Maintenance Lockout Actuator



Fits to switch aperture during maintenance and provides multiple padlock holes.

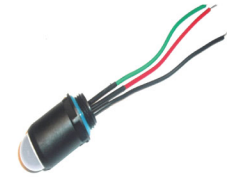
Actuator with chain



Flat Actuator supplied with 300mm (12 inch) chain. Can be used where poor alignment exists and provides manual insertion of actuator by operator.

2 Colour LED Conduit Beacon

(Available voltages 24Vdc 110Vac 230Vac and M20 or 1/2" NPT)

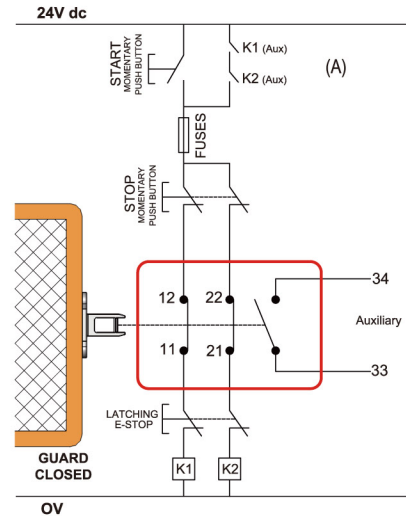


2 colour LED (3 wires) providing Steady Red and Steady Green. Fits to conduit entry and provides option for LED indication based upon switch contacts.

Guard Door Interlocked - Dual Channel (Non Monitored)

Application Example:

This system shows interlock switch circuits 11-12 and 21-22 configured to allow direct feed to contactor coils K1 and K2. This provides Dual Channel wiring and a check of the contactor feedback circuits through the auxiliary contacts (A) of K1 and K2. Opening the Interlock switch or depressing the E Stop will isolate power to the contactor coils. Re-start can only occur providing the Guard is closed, and the E-Stop is reset. System is shown with machine stopped, guard closed and the contactors able to be energised.



Female QC Leads	Length	Sales Number
M12 8 Way	5m. (15Ft.)	140101
M12 8 Way	10m. (30Ft.)	140102
1/2" UNF	2m. (6Ft.)	140141
1/2" UNF	5m. (15Ft.)	140142



Sales Numbers	Contacts	M20	1/2"NPT	QC 1/2" UNF 6 way	QC M12 8 Way
Kobra KP Switch	2NC 1NO	200001	200002	200003	200021
Kobra KP Switch	3NC	200004	200005	200006	200022
Kobra KP Switch	3NC 1NO	200007	200008		200023
Kobra KP Switch	2NC 2NO	200010	200011		200024
Kobra KP Switch	4NC	200013	200014		200025
Kobra KP Switch	1NC 1NO Ex	200016		3m. 4 Core Ex	
Kobra KP Switch	2NC Ex	200019		3m. 4 Core Ex	
Kobra KP Switch	2NC 2NO Ex	200026		3m. 8 Core Ex	
Actuator	Standard	Add A to Sales Part Number			
Actuator	Flat	Add F to Sales Part Number			
Actuator	Plastic Flexible	Add PF to Sales Part Number			
Actuator	Heavy Duty Flexible	Add HF to Sales Part Number			
Actuator	Heavy Duty S/Steel	Add HFH to Sales Part Number			
Stainless Steel Head Version		Add SS to Sales Part Number			
Actuator Holding - 40N. (3 pole versions only)		Add 40N to Part Number			

Ordering Example: Kobra KP M20 3NC with Stainless Steel Head and Heavy Duty Flexible Actuator Part No. 200004-HF-SS

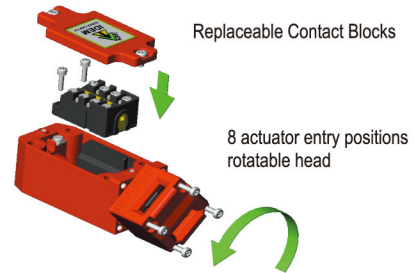
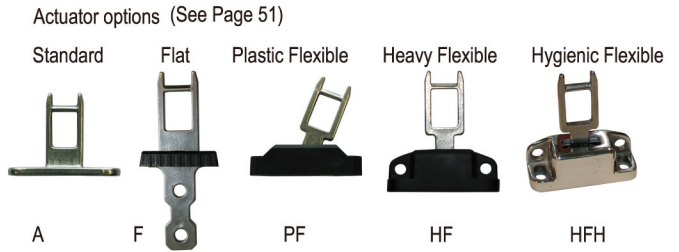
Gold Plated Contacts available for low power circuits (5V. 5mA). Add GC to Part Number e.g. 200001-A-GC

Kobra Metal - Tongue Switches - Type: KM



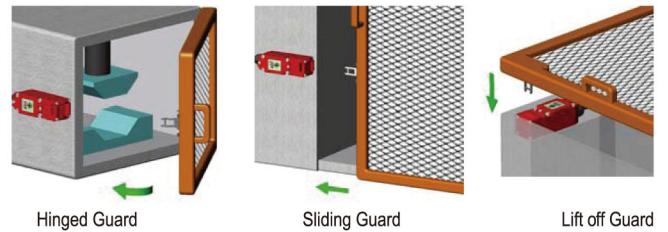
IDEM KM Interlock switches are designed to provide position interlock detection for medium to heavy duty moving guards.

They have robust die-cast housings and are designed to fit to the leading edge of sliding, hinged or lift off machine guards. They provide a forced disconnect of the safety contacts at the withdrawal of the actuator and have an anti-tamper mechanism.



The rotatable heads have dual actuator entry positions to give up to 8 different entry positions. For extra durability, Flexible Actuators and Stainless Steel head versions are available.

Contact blocks are replaceable with optional explosion proof versions. High holding force versions are available for applications where vibration can be a nuisance.



Functional Specification:

Positive break contacts to IEC 60947-5-1

High Functional Safety to ISO 13849-1

3 pole, 4 pole or Explosion Proof Contact Blocks

Stainless Steel Head version available

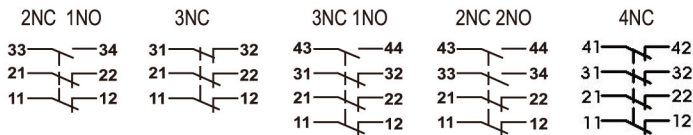
Connects to most Safety Relays to give up to PLe Cat.4.

Industry Fitting 118mm long 40mm wide 30mm fixing

Pre-Wired Explosion Proof



Contact Block Options:

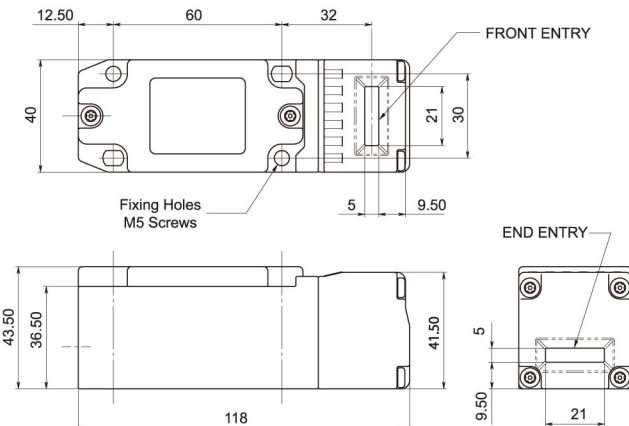


Classification Exd IIC T6 (-20 ≤ Ta ≤ +60C) Gb
Ex tb IIIC T85C (-20 ≤ Ta ≤ +60C) Db

Standards EN1088 IEC 60947-5-1 EN 60204-1
ISO 13849-1 EN62061 EN 954-1 UL508

Safety Classification and Reliability Data:

Mechanical Reliability B10d	2.5 x 10 ⁶ operations at 100mA load
EN 954-1	up to Category 4 with Safety Relay
ISO 13849-1	up to PLe depending upon system architecture
EN 62061	up to SIL3 depending upon system architecture
Safety Data - Annual Usage	8 cycles per hour / 24 hours per day / 365 days
PFHd	3.44 x 10 ⁻⁸
Proof Test Interval (Life)	35 years
MTTFd	356 years
Utilization Category	AC15 A300 3A.
Thermal Current (Ith)	5A
Rated Insulation / Withstand Voltages	500VAC / 2500 VAC
Travel for Positive Opening	8mm
Actuator entry minimum radius	175mm Standard 100mm Flexible
Maximum Approach / Withdrawal speed	600mm/s.
Body Material	Die Cast Painted Red
Head Material	Die Cast Painted Red or Stainless Steel 316
Enclosure Protection	IP67
Operating Temperature	-25C. +80C.
Vibration	IEC 68-2-6, 10-55Hz+1Hz,
Conduit Entry	Excursion: 0.35mm, 1 octave/min
Fixing	Various (See Sales Part Numbers)
	4 x M5



For all IDEM switches the normally closed (NC) circuits are closed when the guard is closed actuator inserted.

Kobra Metal - Tongue Switches - Type: KM

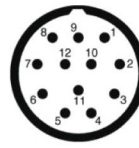


Contact operation at withdrawal of Actuator

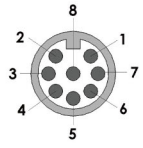
2NC 1NO	6.8	6.0	0 mm	3NC (1NO)	6.8	6.0	0 mm
11/12	Open			11/12	Open		
21/22	Open			21/22	Open		
33/34			Open	31/32	Open		
				43/44			Open

4NC	6.0	0 mm	2NC 2NO	6.8	6.0	0 mm
11/12	Open		11/12	Open		
21/22	Open		21/22	Open		
31/32	Open		33/34			Open
41/42	Open		43/44			Open

QC Quick Connect Versions



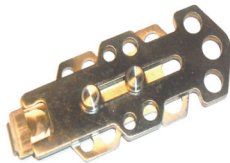
Quick Connect
Pin view from switch



Quick Connect (QC) M23 12 Way Male (connector Length 26mm) Pin view from switch	Switch Circuit	Quick Connect (QC) M12 8 Way Male (on Flying Lead 250mm) Pin view from switch
1 3	11 / 12	1 7
4 6	21 / 22	6 5
7 8	33 / 34 or 31 / 32	4 3
9 10	41 / 42 or 43 / 44	
12	Earth	8

Accessories: (See Page 50)

Maintenance Lockout Actuator



Fits to switch aperture during maintenance and provides multiple padlock holes.

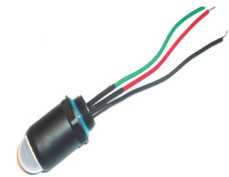
Actuator with chain



Flat Actuator supplied with 300mm (12 inch) chain. Can be used where poor alignment exists and provides manual insertion of actuator by operator.

2 Colour LED Conduit Beacon

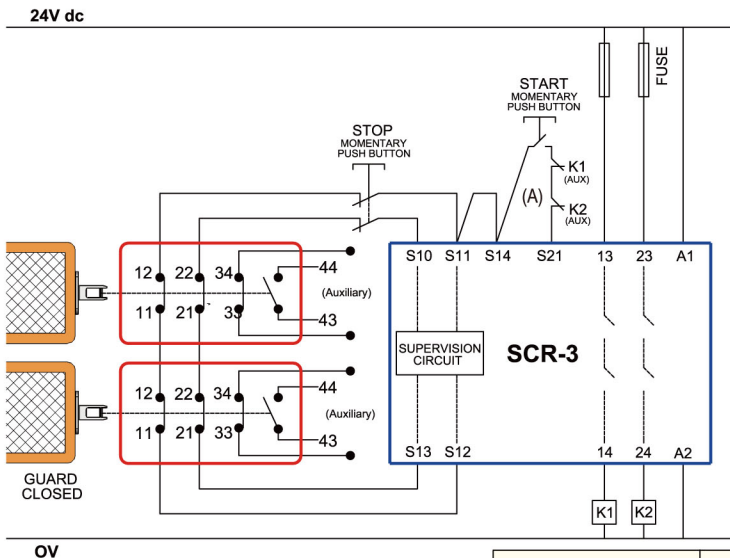
(Available voltages 24Vdc 110Vac 230Vac and M20 or 1/2" NPT)



2 colour LED (3 wires) providing Steady Red and Steady Green. Fits to conduit entry and provides option for LED indication based upon switch contacts.

Application Example:

Multiple Guard Door Interlocks - Dual Channel (Monitored)



The switch contacts 11-12 and 21-22 from each switch are wired in series to an SCR-3 Safety Relay to monitor for wiring short circuits.

This provides Dual Channel monitoring and a check of the contactor feedback circuits through the auxiliary contacts (A) of K1 and K2.

The SCR-3 monitors the switch and the contactors K1 and K2 and provides its own self-monitoring via force guided internal relays.

System is shown with machine stopped, guards closed and the contactors able to be energised.

Female QC Leads	Length	Sales Number
M12 8 Way	5m. (15Ft.)	140101
M12 8 Way	10m. (30Ft.)	140102
M23 12 Way	5m. (15Ft.)	140143
M23 12 Way	10m. (30Ft.)	140144



Sales Number	Contacts	M20	1/2" NPT	QC M23	QC M12 8 Way
Kobra KM Switch	2NC 1NO	203001	203002	203003	203021
Kobra KM Switch	3NC	203004	203005	203006	203022
Kobra KM Switch	3NC 1NO	203007	203008	203009	
Kobra KM Switch	2NC 2NO	203010	203011	203012	
Kobra KM Switch	4NC	203013	203014	203015	
Kobra KM Switch	1NC 1NO Ex	203016		3m. 4 core Ex	
Kobra KM Switch	2NC Ex	203019		3m. 4 core Ex	
Kobra KM Switch	2NC 2NO Ex	203026		3m. 8 core Ex	
Kobra Actuator	Standard			Add A to Sales Part Number	
Kobra Actuator	Flat			Add F to Sales Part Number	
Kobra Actuator	Plastic Flexible			Add PF to Sales Part Number	
Kobra Actuator	Heavy Duty Flexible			Add HF to Sales Part Number	
Kobra Actuator	Heavy Duty S/Steel			Add HFH to Sales Part Number	
	Stainless Steel Head Version			Add SS to Sales Part Number	
	Actuator Holding - 40N (3 pole versions only)			Add 40N to Part Number	

Ordering Example: Kobra KM M20 2NC 1NO with Heavy Flexible Actuator Part No. 203001- HF

Gold Plated Contacts available for low power circuits (5V. 5mA).
Add GC to Part Number e.g. 203001-A-GC

Kobra Stainless Steel Switch Type: HYGIECAM KM-SS

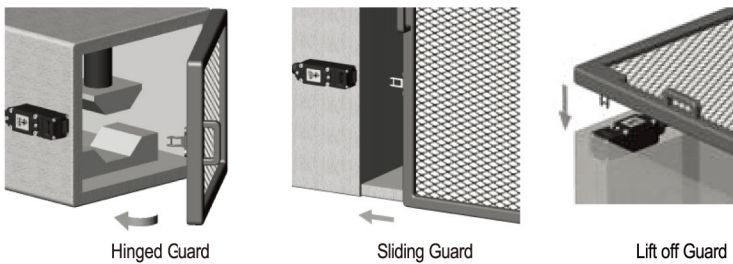


HYGIECAM Series Interlock Switches have a rugged Stainless Steel 316 body and have been designed to cope with the rigorous applications of the Food Processing and Packaging Industries. The surface finish is mirror polished to Ra10 to resist the accumulation of food debris and is suitable for high pressure hosing at high temperature.

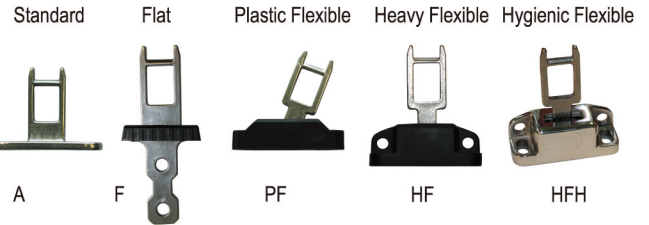
They offer a compact slimline housing which will fit to areas where there are space restrictions and are sealed to IP69K enclosure protection. They can be high pressure hosed with most detergents at high temperature.

They are designed to fit to the leading edge of sliding, hinged or lift off machine guards. They provide a forced disconnect of the safety contacts at the withdrawal of the actuator and have an anti-tamper mechanism.

The rotatable heads have dual actuator entry positions to give up to 8 different entry positions. High holding force versions are available for applications where vibration can be a nuisance.



Actuator options (See Page 51)



HYGIECAM



They offer up to 4 pole contacts to suit modern control circuits and are available with Explosion Proof contact blocks.

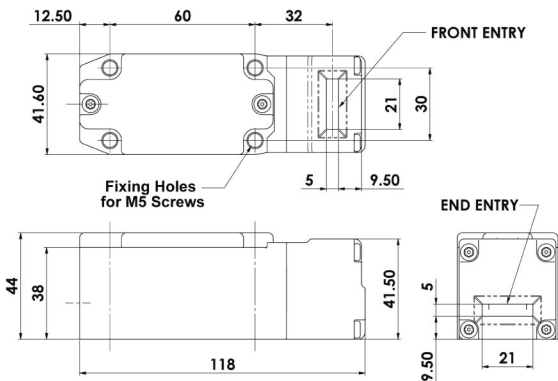
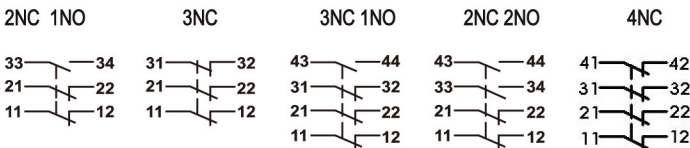
Functional Specification:

Positive break contacts to IEC 60947-5-1

High Functional Safety to ISO 13849-1

Will fit on 30mm fixing centres –DIN standard body mounting

Contact Block Options:



For all IDEM switches the normally closed (NC) circuits are closed when the guard is closed actuator inserted.

Mirror Finish Stainless Steel 316 Body
Connects to most Safety Relays to give up to PLe Cat.4.
IP69K Suitable for SIP and CIP processes

Pre-Wired Explosion Proof



Classification Exd IIC T6 (-20 ≤ Ta ≤ +60C) Gb
Ex tb IIIC T85C (-20 ≤ Ta ≤ +60C) Db

Standards EN1088 IEC 60947-5-1 EN 60204-1
ISO 13849-1 EN62061 EN 954-1 UL508

/ Classification and Reliability Data:

Mechanical Reliability B10d	2.5 x 10 ⁶ operations at 100mA load
EN 954-1	up to Category 4 with Safety Relay
ISO 13849-1	up to PLe depending upon system architecture
EN 62061	up to SIL3 depending upon system architecture
Safety Data - Annual Usage	8 cycles per hour / 24 hours per day / 365 days
PFHd	3.44 x 10 ⁻⁸
Proof Test Interval (Life)	35 years
MTTFd	356 years
Utilization Category	AC15 A300 3A.
Thermal Current (Ith)	5A
Rated Insulation / Withstand Voltages	500VAC / 2500 VAC
Travel for Positive Opening	8mm
Actuator entry minimum radius	175mm Standard 100mm Flexible
Maximum Approach / Withdrawal speed	600mm/s.
Body Material	Stainless Steel 316
Head Material	Stainless Steel 316
Enclosure Protection	IP67
Operating Temperature	-25C. +80C.
Vibration	IEC 68-2-6, 10-55Hz+1Hz, Excursion: 0.35mm, 1 octave/min
Conduit Entry	Various (See Sales Part Numbers)
Fixing	4 x M5

Kobra Stainless Steel Switch Type: HYGIECAM KM-SS



Contact operation at withdrawal of Actuator

2NC 1NO 6.8 6.0 0 mm

11/12	Open	
21/22	Open	
33/34		Open

3NC (1NO) 6.8 6.0 0 mm

11/12	Open	
21/22	Open	
31/32	Open	
43/44		Open

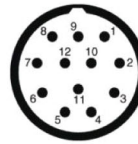
4NC 6.0 0 mm

11/12	Open	
21/22	Open	
31/32	Open	
41/42	Open	

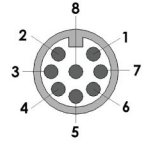
2NC 2NO 6.8 6.0 0 mm

11/12	Open	
21/22	Open	
33/34		Open
43/44		Open

QC Quick Connect Versions



Quick Connect
Pin view from switch



Quick Connect (QC) M23 12 Way Male (connector Length 26mm) Pin view from switch	Switch Circuit	Quick Connect (QC) M12 8 Way Male (on Flying Lead 250mm) Pin view from switch
1 3	11 / 12	1 7
4 6	21 / 22	6 5
7 8	33 / 34 or 31 / 32	4 3
9 10	41 / 42 or 43 / 44	
12	Earth	8

Accessories: (See Page 50)
Maintenance Lockout Actuator



Actuator with chain



2 Colour LED Conduit Beacon
(Available voltages 24Vdc 110Vac 230Vac and M20 or 1/2" NPT)



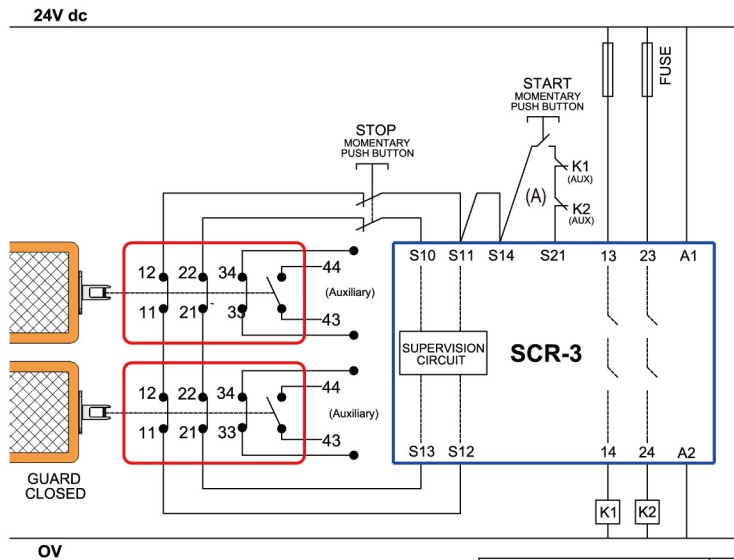
Fits to switch aperture during maintenance and provides multiple padlock holes.

Flat Actuator supplied with 300mm (12 inch) chain. Can be used where poor alignment exists and provides manual insertion of actuator by operator.

2 colour LED (3 wires) providing Steady Red and Steady Green. Fits to conduit entry and provides option for LED indication based upon switch contacts.

Application Example:

Multiple Guard Door Interlocks - Dual Channel (Monitored)



The switch contacts 11-12 and 21-22 from each switch and wired in series to an SCR-3 Safety Relay to monitor for wiring short circuits.

This provides Dual Channel monitoring and a check of the contactor feedback circuits through the auxiliary contacts (A) of K1 and K2.

The SCR-3 monitors the switch and the contactors K1 and K2 and provides its own self-monitoring via force guide internal relays.

System is shown with machine stopped, guards closed and the contactors able to energised.

Female QC Leads	Length	Sales Number
M12 8 Way	5m. (15Ft.)	140101
M12 8 Way	10m. (30Ft.)	140102
M23 12 Way	5m. (15Ft.)	140143
M23 12 Way	10m. (30Ft.)	140144



Gland	stainless steel 316
M20	140120
1/2"NPT	140121

It is recommended to use our stainless steel gland with this switch

Sales Number	Contacts	M20	1/2"NPT	QC M23	QC M12 8 Way
Kobra KM-SS Switch	2NC 1NO	204001	204002	204003	204021
Kobra KM-SS Switch	3NC	204004	204005	204006	204022
Kobra KM-SS Switch	3NC 1NO	204007	204008	204009	
Kobra KM-SS Switch	2NC 2NO	204010	204011	204012	
Kobra KM-SS Switch	4NC	204013	204014	204015	
Kobra KM-SS Switch	1NC 1NO Ex	204016			3m. 4 core Ex
Kobra KM-SS Switch	2NC Ex	204019			3m. 4 core Ex
Kobra KM-SS Switch	2NC 2NO Ex	204026			3m. 8 core Ex
Kobra Actuator	Standard		Add A to Sales Part Number		
Kobra Actuator	Flat		Add F to Sales Part Number		
Kobra Actuator	Plastic Flexible		Add PF to Sales Part Number		
Kobra Actuator	Heavy Duty Flexible		Add HF to Sales Part Number		
Kobra Actuator	Heavy Duty S/Steel		Add HFH to Sales Part Number		
Actuator Holding - 40N (3 pole versions only)			Add 40N to Part Number		

Ordering Example:

Kobra KM - SS 1/2"NPT 2NC 2NO with Heavy Flexible Actuator Part No.204011 - HF

Gold Plated Contacts available for low power circuits (5V. 5mA).
Add GC to Part Number e.g. 204001-A-GC

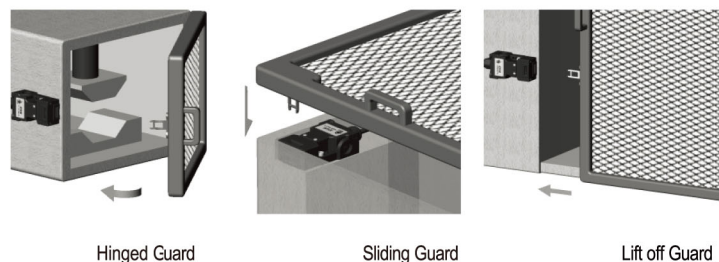
Kobra Stainless Steel Tongue Switch - Type: HYGIECAM K-SS



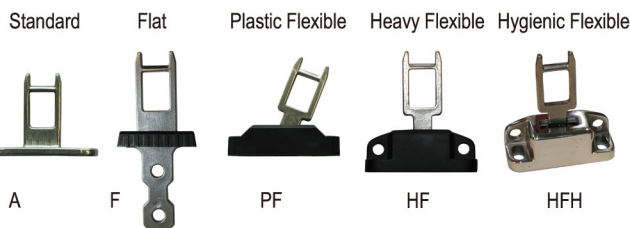
HYGIECAM Series Interlock Switches have a rugged Stainless Steel 316 body and have been designed to cope with the rigorous applications of the Food Processing and Chemical Industries.

They have IP69K enclosure protection (maintained by a double seal lid gasket and seals) and can be high pressure hosed with detergent at high temperature.

They are designed to fit to the leading edge of sliding, hinged or lift off machine guards. They provide a forced disconnect of the safety contacts at the withdrawal of the actuator and have an anti-tamper mechanism.

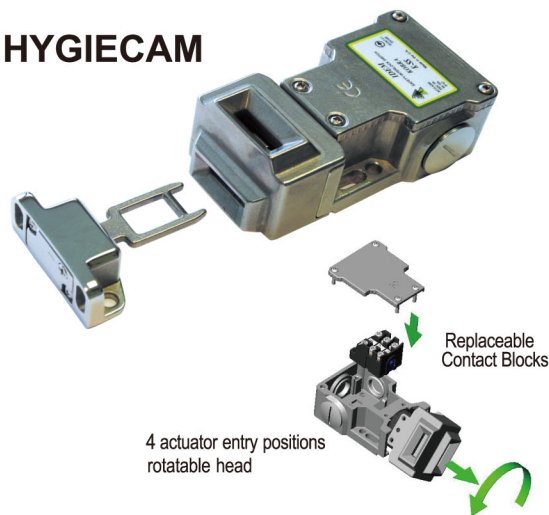


Actuator options (See Page 51)



The head can be rotated to give 4 actuator entry positions. For extra durability, Flexible Actuators are available. Contact blocks are replaceable with optional explosion proof versions. They are sealed to IP69K and survive most caustic wash down solutions.

HYGIECAM



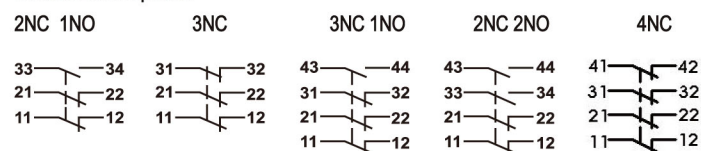
Functional Specification:

Positive break contacts to IEC 60947-5-1

High Functional Safety to ISO 13849-1

Will fit on 40mm fixing centres –industry standard housing

Contact Block Options:



Stainless Steel 316 Body and External Fixings
Connects to most Safety Relays to give up to PLe Cat.4.
IP69K Suitable for SIP and CIP processes

Pre-Wired Explosion Proof

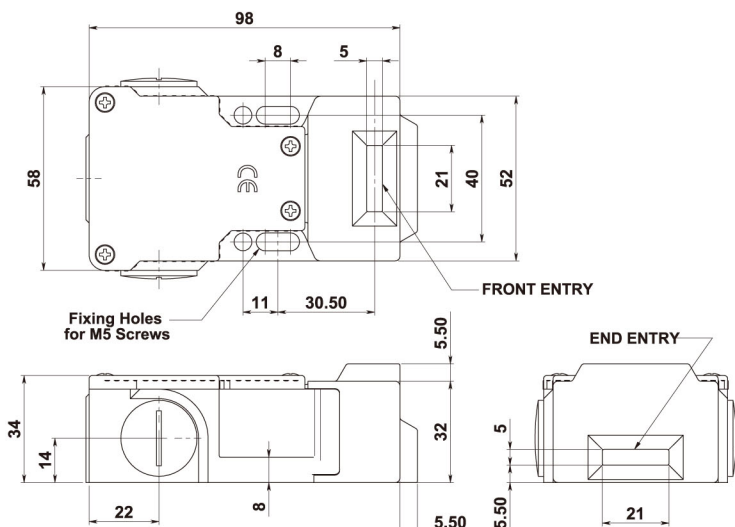


Classification Exd IIC T6 (-20 ≤ Ta ≤ +60C) Gb
Ex tb IIIC T85C (-20 ≤ Ta ≤ +60C) Db

Standards EN1088 IEC 60947-5-1 EN 60204-1
ISO 13849-1 EN62061 EN 954-1 UL508

Safety Classification and Reliability Data:

Mechanical Reliability B10d	2.5 x 10 ⁶ operations at 100mA load
EN 954-1	up to Category 4 with Safety Relay
ISO 13849-1	up to PLe depending upon system architecture
EN 62061	up to SIL3 depending upon system architecture
Safety Data - Annual Usage	8 cycles per hour / 24 hours per day / 365 days
PFHd	3.44 x 10 ⁻⁸
Proof Test Interval (Life)	35 years
MTTFd	356 years
Utilization Category	AC15 A300 3A.
Thermal Current (Ith)	5A
Rated Insulation / Withstand Voltages	500VAC / 2500 VAC
Travel for Positive Opening	8mm
Actuator entry minimum radius	175mm Standard 100mm Flexible
Maximum Approach / Withdrawal speed	600mm/s.
Body Material	Stainless Steel 316
Head Material	Stainless Steel 316
Enclosure Protection	IP67 IP69K
Operating Temperature	-25C. +80C.
Vibration	IEC 68-2-6, 10-55Hz+1Hz,
Conduit Entry	Excursion: 0.35mm, 1 octave/min
Fixing	Various (See Sales Part Numbers)
	4 x M5



Kobra Stainless Steel Tongue Switch - Type: HYGIECAM K-SS



Contact operation at withdrawal of Actuator

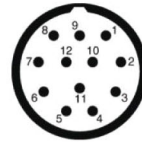
2NC 1NO		6.8	6.0	0 mm
11/12	Open			
21/22	Open			
33/34			Open	

3NC (1NO)		6.8	6.0	0 mm
11/12	Open			
21/22	Open			
31/32	Open			
43/44			Open	

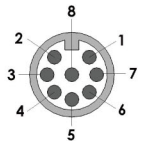
4NC		6.0	0 mm
11/12	Open		
21/22	Open		
31/32	Open		
41/42	Open		

2NC 2NO		6.8	6.0	0 mm
11/12	Open			
21/22	Open			
33/34			Open	
43/44			Open	

QC Quick Connect Versions



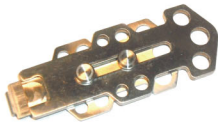
Quick Connect Pin view from switch



Quick Connect (QC) M23 12 Way Male (connector Length 26mm) Pin view from switch	Switch Circuit	Quick Connect (QC) M12 8 Way Male (on Flying Lead 250mm) Pin view from switch
1 3	11 / 12	1 7
4 6	21 / 22	6 5
7 8	33 / 34 or 31 / 32	4 3
9 10	41 / 42 or 43 / 44	
12	Earth	8

Accessories: (See Page 50)

Maintenance Lockout Actuator



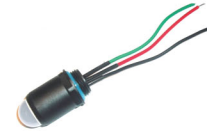
Fits to switch aperture during maintenance and provides multiple padlock holes.

Actuator with chain



Flat Actuator supplied with 300mm (12 inch) chain. Can be used where poor alignment exists and provides manual insertion of actuator by operator.

2 Colour LED Conduit Beacon
(Available voltages 24Vdc 110Vac 230Vac and M20 or 1/2" NPT)



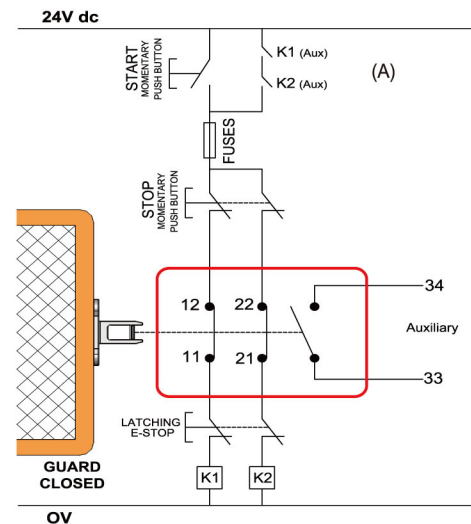
2 colour LED (3 wires) providing Steady Red and Steady Green. Fits to conduit entry and provides option for LED indication based upon switch contacts.

Application Example:

Guard Door Interlocked - Dual Channel (Non Monitored)

This system shows interlock switch circuits 11-12 and 21-22 configured to allow direct feed to contactor coils K1 and K2. This provides Dual Channel wiring and a check of the contactor feedback circuits through the auxiliary contacts (A) of K1 and K2. Opening the Interlock switch or depressing the E stop will isolate power to the contactor coils. Restart can only occur providing the Guard is closed, and the E-stop is reset.

System is shown with machine stopped, guard closed and the contactors able to be energised.



Female QC Leads	Length	Sales Number
M12 8 Way	5m. (15Ft.)	140101
M12 8 Way	10m. (30Ft.)	140102
M23 12 Way	5m. (15Ft.)	140143
M23 12 Way	10m. (30Ft.)	140144



Gland		stainless steel 316
M20	140120	
1/2" NPT	140121	

It is recommended to use our stainless steel gland with this switch

Sales Numbers	Contacts	M20		QC M23	
		1/2"NPT	QC M23	QC M12 8 Way	QC M12 8 Way
Kobra K-SS Switch	2NC 1NO	208001	208002	208003	208021
Kobra K-SS Switch	3NC	208004	208005	208006	208022
Kobra K-SS Switch	3NC 1NO	208007	208008	208009	
Kobra K-SS Switch	2NC 2NO	208010	208011	208012	
Kobra K-SS Switch	4NC	208013	208014	208015	
Kobra K-SS Switch	1NC 1NO Ex	208016		3m. 4 Core Ex	
Kobra K-SS Switch	2NC Ex	208019		3m. 4 Core Ex	
Kobra K-SS Switch	2NC 2NO Ex	208026		3m. 8 Core Ex	
Actuator	Standard		Add A to Sales Part Number		
Actuator	Flat		Add F to Sales Part Number		
Actuator	Plastic Flexible		Add PF to Sales Part Number		
Actuator	Heavy Duty Flexible		Add HF to Sales Part Number		
Actuator	Heavy Duty S/Steel		Add HFH to Sales Part Number		
Actuator Holding - 40N. (3 pole versions only)			Add 40N to Part Number		

Ordering Example:
Kobra K - SS M20 3NC 1NO with Standard Actuator Part No. 208007 - A
Gold Plated Contacts available for low power circuits (5V. 5mA).
Add GC to Part Number e.g. 208001-A-GC