



EM. STOP MUSHROOM PUSHBUTTON, 22MM, ROUND, METAL, SHINY, RED, 40MM, POSITIVE LATCHING, PULL TO UNLATCH

Figure similar

product brand name		SIRIUS ACT
Product designation		Commanding and signaling devices
Design of the product		Emergency stop mushroom pushbutton

Actuator:

Design of the operating mechanism		Emergency stop mushroom pushbutton, tamper-proof
Manner of function of the actuating element		Latching
Product expansion optional Light source		No
Color		
• of the actuating element		Red
Material of the actuating element		plastic
Shape of the actuating element		round
Outer diameter of the actuating element	mm	40
Type of unlocking device		pull-to-unlatch mechanism
Number of switching positions		2

Front ring:

Product component front ring		No
-------------------------------------	--	----

General technical data:

Product function		
• positive opening		Yes
• EMERGENCY OFF function		Yes
• EMERGENCY STOP function		Yes
Vibration resistance		
• acc. to IEC 60068-2-6		10 ... 500 Hz: 5g

Operating frequency maximum	1/h	600
Mechanical service life (switching cycles)		
• typical		300 000
Equipment marking		
• acc. to DIN EN 61346-2		S
• acc. to DIN EN 81346-2		S

Safety related data:

B10 value with high demand rate acc. to SN 31920		100 000
---	--	---------

Ambient conditions:

Ambient temperature		
• during operation	°C	-25 ... +70
• during storage	°C	-40 ... +80

Installation/ mounting/ dimensions:

Shape of the installation opening		round
Mounting diameter	mm	22

Certificates/ approvals:

Further information

Information- and Downloadcenter (Catalogs, Brochures,...)

<http://www.siemens.com/industrial-controls/catalogs>

Industry Mall (Online ordering system)

<http://www.siemens.com/industrymall>

Cax online generator

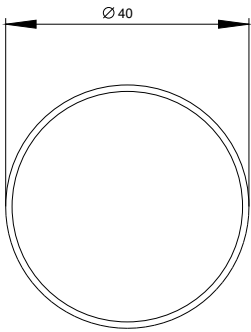
<http://support.automation.siemens.com/WW/CAXorder/default.aspx?lang=en&mlfb=3SU10501HA200AA0>

Service&Support (Manuals, Certificates, Characteristics, FAQs,...)

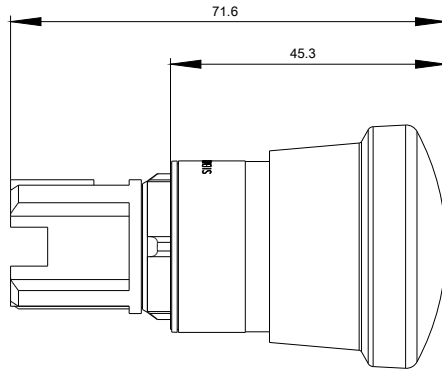
<http://support.automation.siemens.com/WW/view/en/3SU10501HA200AA0/all>

Image database (product images, 2D dimension drawings, 3D models, device circuit diagrams, EPLAN macros, ...)

http://www.automation.siemens.com/bilddb/cax_de.aspx?mlfb=3SU10501HA200AA0&lang=en



last modified:



09.03.2015