



Main

Commercial Status	Commercialised
Range of product	Zelio Logic
Product or component type	Modem communication interface
Data backed up	Flash memory

Complementary

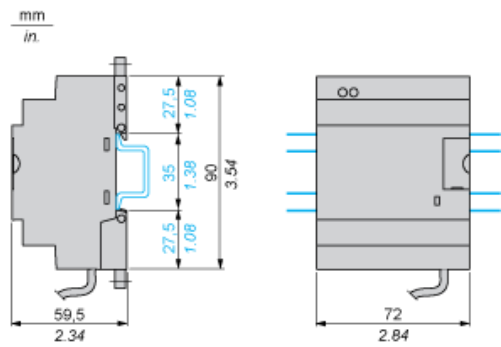
Kit composition	1 x SR2CBL07 Modem communication interface
Product compatibility	SR.B..... SR2E.....
Function available	Send alarm/receive instruction Send alarm to e-mail address Transfer program Update firmware monitoring
Number of messages	<= 28
Electrical data recording	Date and time Discrete and digital value Telephone/E-mail
[Us] rated supply voltage	12...24 V DC
Supply voltage limits	10...28.8 V
Supply current	30 mA 24 V 30 mA 12 V <= 550 A
Power dissipation in W	1.1 W
Reverse polarity protection	With
Associated fuse rating	1 A
Electrical connection	1 cable Com-Z specific to Zelio, specific Zelio communication protocol for Zelio Logic smart relays SR.B..... and SR2 E..... Version (>= V3.1) 1 cable Com-M specific to Zelio, RS232 serial, specific Zelio communication protocol for link with the modem, AT commands
Insulation	By the cable SR2 CBL07, connector type: Com-M specific to Zelio 1780 V optocoupler, connector type: Com-Z specific to Zelio
Connections - terminals	Screw terminals, 2 x 0.25...2 x 0.75 mm ² , 24...18, flexible cable with cable end Screw terminals, 1 x 0.25...1 x 2.5 mm ² , 24...14, flexible cable with cable end Screw terminals, 2 x 0.2...2 x 1.5 mm ² , 24...16, solid cable Screw terminals, 1 x 0.2...1 x 2.5 mm ² , 25...14, solid cable Screw terminals, 1 x 0.2...1 x 2.5 mm ² , 25...14, semi-solid cable
Tightening torque	0.5 N.m
Product weight	0.2 kg

Environment

Product certifications	CSA C-Tick GOST UL
Standards	EN/IEC 60068-2-27 Ea EN/IEC 60068-2-6 Fc EN/IEC 61000-4-11 EN/IEC 61000-4-12 EN/IEC 61000-4-2 level 3 EN/IEC 61000-4-3 EN/IEC 61000-4-4 level 3 EN/IEC 61000-4-5 EN/IEC 61000-4-6 level 3
IP degree of protection	IP40 (front panel) conforming to IEC 60529 IP20 (terminal block) conforming to IEC 60529
Environmental characteristic	Low voltage directive conforming to EN/IEC 61131-2 EMC directive conforming to EN/IEC 61131-2 zone B EMC directive conforming to EN/IEC 61000-6-4 EMC directive conforming to EN/IEC 61000-6-3 EMC directive conforming to EN/IEC 61000-6-2
Disturbance radiated/conducted	Class B conforming to EN 55022-11 group 1
Pollution degree	2 conforming to EN/IEC 61131-2
Ambient air temperature for operation	-20...55 °C conforming to IEC 60068-2-1 and IEC 60068-2-2 -20...40 °C conforming to IEC 60068-2-1 and IEC 60068-2-2
Ambient air temperature for storage	-40...70 °C
Operating altitude	2000 m
Altitude transport	<= 3048 m
Relative humidity	95 % without condensation or dripping water

Communication Interface

Rail Mounting



Screw Mounting (Retractable Lugs)

