



G10

POWERFUL DETECTION, SMART INSTALLATION –
DOWN TO THE LAST DETAIL

Small photoelectric sensors

SICK
Sensor Intelligence.

IMPRESSIVE PERFORMANCE: G10 – MORE FOR LESS

Sensors are often used together. This is especially true for applications in the logistics and machine building industries. Consequently, time-saving mounting solutions are becoming more and more important. The G10 photoelectric sensor and the Q-Lock mounting system combine quick installation with a rugged design, maintenance-free operation and reliable object detection. All this at a reasonable cost. G10 - more for less.

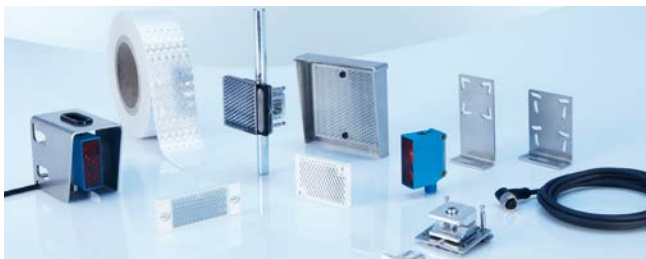


Impressively quick:

- Innovative Q-Lock system for remarkably quick sensor installation – drastically reducing machine installation time
- Extremely powerful transmitter LED with PinPoint technology for easy, precise alignment - even on very dark objects and at long distances
- Bright indicator LEDs for quick status monitoring

Impressively powerful:

- Highly reliable and durable despite optical interference or mechanical loads
- Reliable detection of depolarizing objects
- Precise background suppression even for long sensing distances
- Rugged unibody plastic housing - with metal sleeves for secure mounting
- Immune to dirt, humidity and extreme temperatures from -30 and +60 °C
- Low-maintenance optics, rugged electronics and mechanical parts



Impressively versatile:

- A complete photoelectric sensor product family, including photoelectric proximity sensors, photoelectric retro-reflective sensors and through-beam photoelectric sensors
- Large range of cables, reflectors and mounting accessories
- Available in two voltage versions: 10 to 30 V DC with PNP/NPN transistor output and 24 to 240 V AC/DC with relay output



Impressively cost-effective:

- Excellent price/performance ratio
- Mounting and alignment in seconds with the Q-Lock system
- Especially attractive for large-scale applications

Q-LOCK: THE QUICKEST MOUNTING FOR LOGISTICS AUTOMATION – BAR NONE



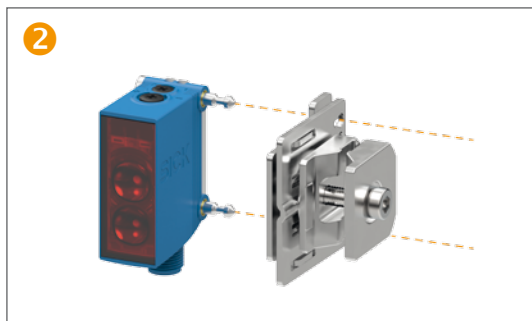
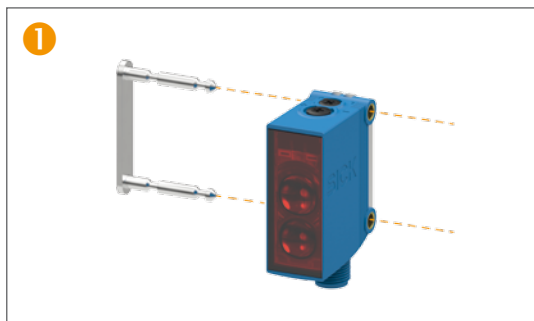
G10 delivers on its promises. Lightning fast. Like many innovative solutions from SICK, the Q-Lock mounting system is tailored to the demands of our customers: providing greater flexibility and saving time in sensor rod mounting installation – for example, in roller conveyor applications.

Tailor-made for logistics applications

• GL10-P4551	1064702	Photoelectric retro-reflective sensor for foil-wrapped objects	see page 26
• GL10-N1551	1065892	Photoelectric retro-reflective sensor for foil-wrapped objects	see page 26
• GL10-P4554	1065893	Photoelectric retro-reflective sensor for foil-wrapped objects incl. Q-Lock mounting system	see page 26
• GTB10-P4411S01	1066852	Photoelectric proximity sensor for foil-wrapped objects	see page 9
• GTB10-N1411S02	1066853	Photoelectric proximity sensor for foil-wrapped objects	see page 9
• BEF-KHSQ12R01	2071260	incl. Q-Lock mounting system	see page 43
• P250	5304812	Reflector	see page 45




More information from
www.sick.com/G10



The Q-Lock mounting system from SICK consists of two pre-assembled modules: pin plate and clamp bracket. The sensor is easily attached to the pin plate **1**. Then the clamp bracket is placed over the ends of the pins **2** and locked in place **3**. Subsequently, the entire unit is mounted from the side of the 12-mm round rod by means of a snap fastener. It can be aligned in any direction, either in the horizontal plane, the vertical plane or in a 360° orientation. Just tighten the screw and you're done! **4**

POWERFUL DETECTION, SMART INSTALLATION - DOWN TO THE LAST DETAIL



The diagram shows a sensor emitting a light beam towards an object, with a return arrow indicating detection. Below it are two blue GTB10 sensors with red LEDs visible through their housings.

CE **UL** **PinPoint by SICK**

Additional information

- Detailed technical data7
- Ordering information9
- Dimensional drawings 11
- Adjustments 12
- Sensing range 12
- Bar diagrams 12
- Light spot diameter 13
- Connection diagram 13

Product description

GTB10 photoelectric proximity sensors with background suppression sensors are characterized by their ability to combine long sensing ranges of up to 1,200 mm with reliable background suppression. They support different optics (PinPoint red light or infrared light), power supplies (DC or AC/DC), and switching outputs (PNP/NPN or relay). Combined with an extensive range of accessories, these sensors are able

to support a wide variety of applications. The patented Q-Lock assembly system for the G10 product family reduces the time required to install and align the sensor to just a few seconds, making this the ideal product for logistics applications. Summary: the GTB10 provides quick and flexible sensor installation, ensures error-free operation, and keeps costs under control.

At a glance

- Long sensing ranges: up to 1,200 mm with background suppression
- PinPoint LED with bright and precise light spot
- Immunity to ambient light
- 10 V DC ... 30 V DC or 24 V AC/DC ... 240 V AC/DC power supply with PNP/NPN or relay output
- Small housing design
- Rugged sensor housing with metal-reinforced holes for assembly
- Q-Lock assembly system for mounting and aligning the sensor within a few seconds

Your benefits

- Long sensing ranges for maximum operating reserves
- Powerful background suppression ensures precise detection, regardless of reflective surfaces and objects
- Efficient installation: the GTB10 and the Q-Lock assembly system save valuable hours when mounting and commissioning multiple sensors
- Universal DC or AC/DC power supply for even greater application flexibility
- Highly reliable and durable despite optical interference and mechanical loads
- Wide range of accessories simplifies sensor integration: aids for assembly and connectors

→ www.mysick.com/en/GTB10

For more information, just enter the link or scan the QR code and get direct access to technical data, CAD design models, operating instructions, software, application examples and much more.



Detailed technical data

Features

	DC	AC/DC
Sensor principle	Photoelectric proximity sensor	
Detection principle	Background suppression	
Dimensions (W x H x D)	20 mm x 50 mm x 39 mm	20 mm x 50 mm x 51.5 mm
Housing design (light emission)	Rectangular	
Sensing range max.		
Visible red light	20 mm ... 950 mm ¹⁾	
Infrared light	20 mm ... 1,200 mm ¹⁾	
Type of light	Visible red light	Visible red light / Infrared light (depending on type)
Light source	PinPoint LED ²⁾	PinPoint LED ²⁾ LED ²⁾ (depending on type)
Light spot size (distance)		
Visible red light	Ø 8 mm (700 mm)	
Infrared light	Ø 22 mm (700 mm)	
Wave length		
Visible red light	625 nm	
Infrared light	850 nm	
Adjustment	Potentiometer, 5 turns	

¹⁾ Object with 90 % reflectance (referred to standard white, DIN 5033)

²⁾ Average service life of 100,000 h at T_A = +25 °C.

Mechanics/electronics

	DC	AC/DC
Supply voltage	10 V DC ... 30 V DC ¹⁾	24 V AC/DC ... 240 V AC/DC ²⁾
Ripple ³⁾	± 5 V _{SS}	
Power consumption	≤ 20 mA ⁴⁾	≤ 2,5 VA
Output type	PNP NPN, open collector (depending on type)	Relay, SPDT, electrically isolated ⁵⁾
Switching mode	Light/dark-switching / Light switching (depending on type)	–
Switching mode selector	Selectable via light/dark selector	–
Output current I_{max}	≤ 100 mA	–
Switching current max. (switching voltage)	–	0.11 A (250 V DC) 3 A (30 V DC) 3 A (250 V AC)
Switching frequency max. ⁷⁾(Response time)	1,000 Hz (≤ 500 µs ⁶⁾) 500 Hz (≤ 1 ms ⁶⁾) (depending on type)	20 Hz (≤ 10 ms)
Connection type	Connector, M12 Cable, 2 m ⁸⁾ (depending on type)	Cable, 2 m ⁸⁾
Circuit protection	A ⁹⁾ B ¹⁰⁾ C ¹¹⁾ D ¹²⁾	C ¹¹⁾
Protection class	III	II ¹³⁾

	DC	AC/DC
Weight		
Connector M12, 4-pin	Ca. 35 g	-
Cable, 3-wire	Ca. 90 g	-
Cable, 5-wire	-	Ca. 115 g
Interference emission	-	EN 61000-6-3 (2011-09) ¹⁴⁾
Housing material	PVC / PMMA	
Enclosure rating	IP 67	
Relay switching cycles min.	-	100.000 cycles (3 A)
Items supplied	Mounting bracket BEF-G10DC01 (depending on type)	Mounting bracket BEF-G10UC01 (depending on type)
Usage category	-	AC-15, DC-13, according to EN 60947-1
EMC	EN 60947-5-2	
UL File No.	E348498	
Ambient operating temperature	-30 °C ... +60 °C	
Ambient storage temperature	-40 °C ... +70 °C	

¹⁾ Limit values: operation in short-circuit protected network max. 8 A.

²⁾ +- 10 %.

³⁾ May not exceed or fall short of V_S tolerances.

⁴⁾ Without load.

⁵⁾ Provide suitable spark suppression for inductive or capacitive loads.

⁶⁾ Signal transit time with resistive load.

⁷⁾ With light/dark ratio 1:1.

⁸⁾ Do not bend below 0 °C.

⁹⁾ A = V_S connections reverse-polarity protected.

¹⁰⁾ B = inputs and output reverse-polarity protected.

¹¹⁾ C = interference suppression.

¹²⁾ D = outputs overcurrent and short-circuit protected.

¹³⁾ Reference voltage: 250 V AC.

¹⁴⁾ In the case of a DC supply (ref. to EN 61000-6-3) the length of cable between the supply source and the sensor must be < 30 m.

Ordering information

Other models available at www.mysick.com/en/GTB10

GTB10, DC

- **Sensor principle:** Photoelectric proximity sensor
- **Detection principle:** Background suppression
- **Supply voltage:** 10 V DC ... 30 V DC
- **Switching frequency max.:** 1,000 Hz
- **Light spot size (distance):** Ø 8 mm (700 mm)
- **Type of light:** visible red light
- **Switching mode:** Light/dark-switching
- **Adjustment:** potentiometer, 5 turns

Sensing range max. ¹⁾	Output type	Connection	Connection diagram	Items supplied	Model name	Part no.
20 mm ... 950 mm	PNP	Cable, 3-wire, 2 m, PVC	Cd-044	-	GTB10-P1211	1065854
				Mounting bracket BEF-G10DC01	GTB10-P1212	1065856
		Connector M12, 4-pin	Cd-066	-	GTB10-P4211	1064694
				Mounting bracket BEF-G10DC01	GTB10-P4212	1065857
	NPN	Cable, 3-wire, 2 m, PVC	Cd-044	-	GTB10-N1211	1065858
				Mounting bracket BEF-G10DC01	GTB10-N1212	1065859
		Connector M12, 4-pin	Cd-066	-	GTB10-N4211	1065860
				Mounting bracket BEF-G10DC01	GTB10-N4212	1065861

¹⁾ Object with 90 % reflectance (referred to standard white, DIN 5033)

GTB10, DC, optimized for logistics applications

- **Sensor principle:** Photoelectric proximity sensor
- **Detection principle:** Background suppression
- **Supply voltage:** 10 V DC ... 30 V DC
- **Switching frequency max.:** 500 Hz
- **Light spot size (distance):** Ø 8 mm (700 mm)
- **Type of light:** visible red light
- **Switching mode:** Light switching
- **Adjustment:** potentiometer, 5 turns

Sensing range max. ¹⁾	Output type	Connection	Connection diagram	Items supplied	Model name	Part no.
20 mm ... 950 mm	PNP	Connector M12, 4-pin	Cd-066	-	GTB10-P4411S01	1066852
	NPN	Cable, 3-wire, 2 m, PVC	Cd-044	-	GTB10-N1411S02	1066853

¹⁾ Object with 90 % reflectance (referred to standard white, DIN 5033)

GTB10, AC/DC

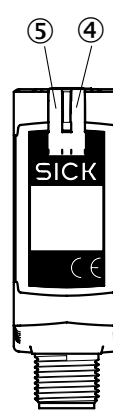
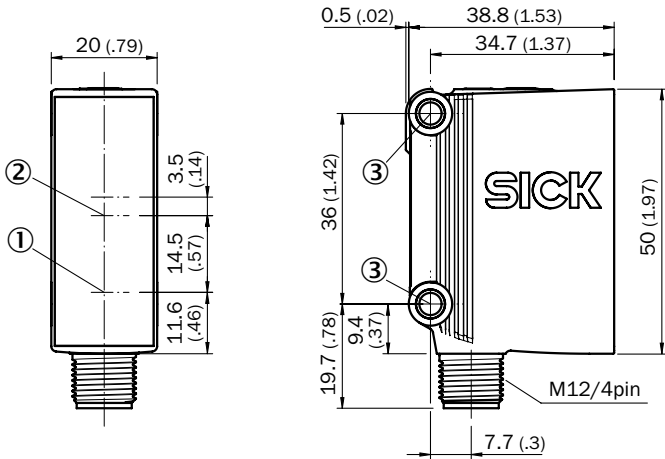
- **Sensor principle:** Photoelectric proximity sensor
- **Detection principle:** Background suppression
- **Supply voltage:** 24 V AC/DC ... 240 V AC/DC
- **Switching frequency max.:** 20 Hz
- **Output type:** relay
- **Adjustment:** potentiometer, 5 turns
- **Connection:** Cable, 5-wire, 2 m, PVC

Sensing range max. ¹⁾	Light spot size (distance)	Type of light	Connection diagram	Items supplied	Model name	Part no.
20 mm ... 950 mm	Ø 8 mm (700 mm)	Visible red light	Cd-163	-	GTB10-R3811	1064686
				Mounting bracket BEF-G10UC01	GTB10-R3812	1065862
20 mm ... 1,200 mm	Ø 22 mm (700 mm)	Infrared light	Cd-163	-	GTB10-R3821	1065863
				Mounting bracket BEF-G10UC01	GTB10-R3822	1065864

¹⁾ Object with 90 % reflectance (referred to standard white, DIN 5033)

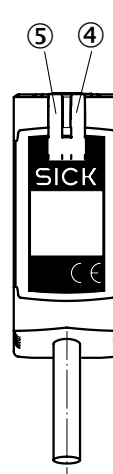
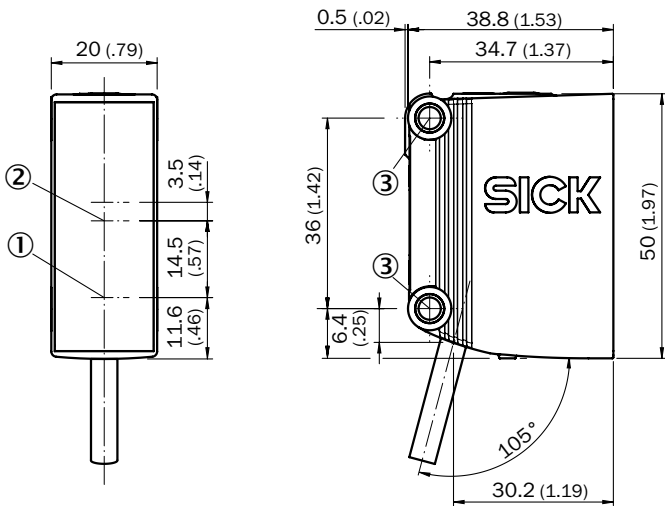
Dimensional drawings (Dimensions in mm (inch))

GTB10, DC, connector



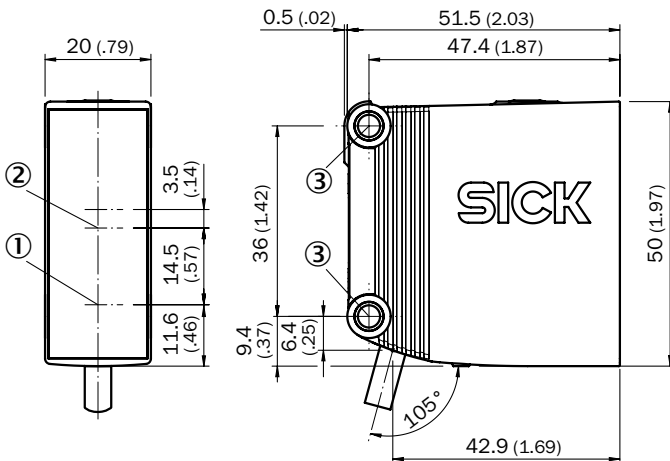
- ① Center of optical axis, sender
- ② Center of optical axis, receiver
- ③ Mounting hole Ø 4,2 mm
- ④ LED indicator yellow: Light received
- ⑤ LED signal strength indicator green:power on

GTB10, DC, cable



- ① Center of optical axis, sender
- ② Center of optical axis, receiver
- ③ Mounting hole Ø 4,2 mm
- ④ LED indicator yellow: Light received
- ⑤ LED signal strength indicator green:power on

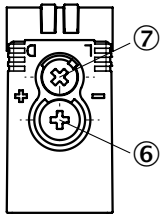
GTB10, AC/DC, cable



- ① Center of optical axis, sender
- ② Center of optical axis, receiver
- ③ Mounting hole Ø 4,2 mm
- ④ LED indicator yellow: Light received
- ⑤ LED signal strength indicator green:power on

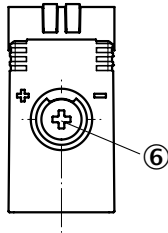
Adjustments

GTB10, DC



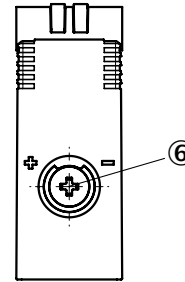
- ⑥ Sensing range adjustment
- ⑦ Light/dark selector

GTB10, logistics, DC



- ⑥ Sensing range adjustment

GTB10, AC/DC

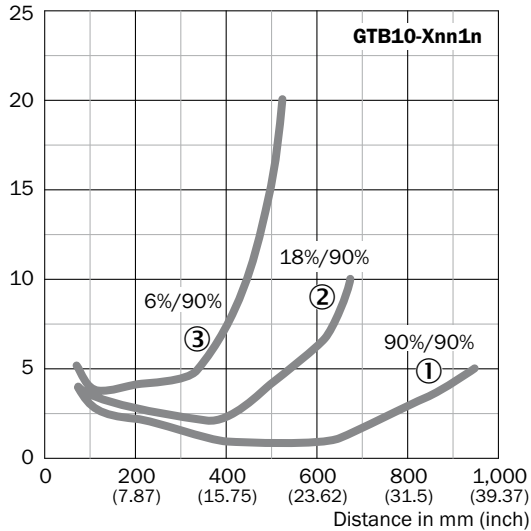


- ⑥ Sensing range adjustment

Sensing range

GTB10, redlight

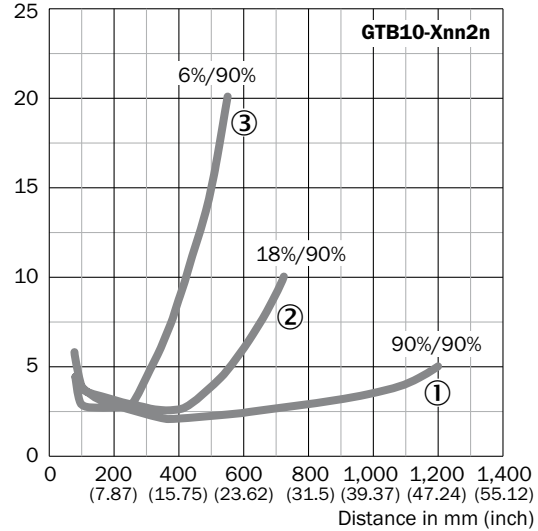
% of sensing range



- ① Sensing range on white, 90 % remission
- ② Sensing range on grey, 18 % remission
- ③ Sensing range on black, 6 % remission

GTB10, infrared light

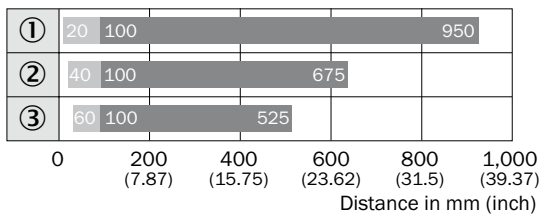
% of sensing range



- ① Sensing range on white, 90 % remission
- ② Sensing range on grey, 18 % remission
- ③ Sensing range on black, 6 % remission

Bar diagrams

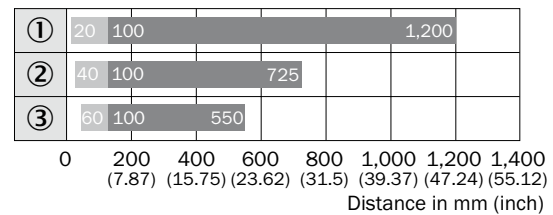
GTB10, redlight



- Sensing range
- Sensing range max.

- ① Sensing range on white, 90 % remission
- ② Sensing range on grey, 18 % remission
- ③ Sensing range on black, 6 % remission

GTB10, infrared light

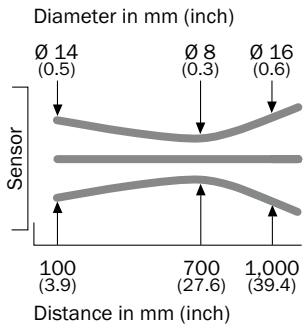


- Sensing range
- Sensing range max.

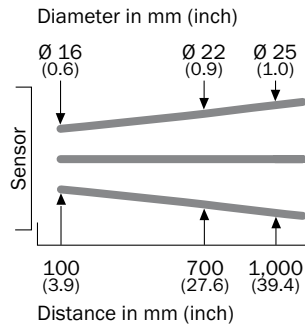
- ① Sensing range on white, 90 % remission
- ② Sensing range on grey, 18 % remission
- ③ Sensing range on black, 6 % remission

Light spot diameter

GTB10, redlight

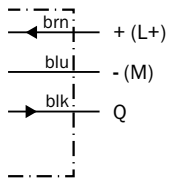


GTB10, infrared light

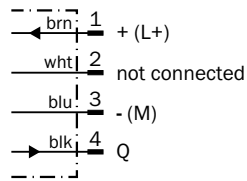


Connection diagram

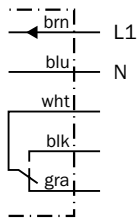
Cd-044



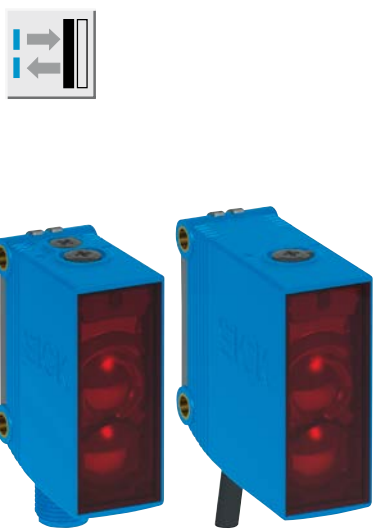
Cd-066



Cd-163



POWERFUL DETECTION, SMART INSTALLATION - DOWN TO THE LAST DETAIL



The image shows a schematic diagram of a sensor beam with arrows indicating the direction of light. Below it are two blue GTE10 sensors, one shown from a side profile and the other from a front view showing the red LED lens.

CE **cULus** **PinPoint by SICK**

Additional information

- Detailed technical data 15
- Ordering information 17
- Dimensional drawings 18
- Adjustments 19
- Sensing range 19
- Bar diagrams 19
- Light spot diameter 20
- Connection diagram 20

Product description

GTE10 energetic photoelectric sensors are characterized by their long sensing ranges of up to 2,000 mm and their small housing. They support different optics (PinPoint red light or infrared light), power supplies (DC or AC/DC), and switching outputs (PNP/NPN or relay). Combined with an extensive range of accessories, these sensors are able to

support a wide variety of applications. The patented Q-Lock assembly system for the G10 product family reduces the time required to install and align the sensor to just a few seconds. Summary: the GTE10 provides quick and flexible sensor installation, ensures error-free operation, and keeps costs under control.

At a glance

- Long sensing ranges: up to 2,000 mm
- PinPoint LED with bright and precise light spot
- Immunity to ambient light
- 10 V DC ... 30 V DC or 24 V AC/DC ... 240 V AC/DC power supply with PNP/ NPN or relay output
- Small housing design
- Rugged sensor housing with metal-reinforced holes for assembly
- Q-Lock assembly system for mounting and aligning the sensor within a few seconds

Your benefits

- Long sensing ranges for maximum operating reserves
- Efficient installation: the GTE10 and the Q-Lock assembly system save valuable hours when mounting and commissioning multiple sensors
- Universal DC or AC/DC power supply for even greater application flexibility
- Highly reliable and durable despite optical interference or mechanical loads
- Wide range of accessories simplifies sensor integration: aids for assembly and connectors

→ www.mysick.com/en/GTE10

For more information, just enter the link or scan the QR code and get direct access to technical data, CAD design models, operating instructions, software, application examples and much more.



Detailed technical data

Features

	DC	AC/DC
Sensor principle	Photoelectric proximity sensor	
Detection principle	Energetic	
Dimensions (W x H x D)	20 mm x 50 mm x 39 mm	20 mm x 50 mm x 51.5 mm
Housing design (light emission)	Rectangular	
Sensing range max.	Visible red light 20 mm ... 1,300 mm ¹⁾ Infrared light 20 mm ... 2,000 mm ¹⁾	
Sensing range	Visible red light 40 mm ... 950 mm ¹⁾ Infrared light 40 mm ... 1,400 mm ¹⁾	
Type of light	Visible red light	Visible red light / Infrared light (depending on type)
Light source	PinPoint LED ²⁾	PinPoint LED ²⁾ LED ²⁾ (depending on type)
Light spot size (distance)	Visible red light Ø 28 mm (1,400 mm) Infrared light Ø 57 mm (1,500 mm)	
Wave length	Visible red light 625 nm Infrared light 850 nm	
Adjustment	Potentiometer, 270 °	

¹⁾ Object with 90 % reflectance (referred to standard white, DIN 5033)

²⁾ Average service life of 100,000 h at T_A = +25 °C.

Mechanics/electronics

	DC	AC/DC
Supply voltage	10 V DC ... 30 V DC ⁴⁾	24 V AC/DC ... 240 V AC/DC ²⁾
Ripple ³⁾	± 5 V _{SS}	
Power consumption	≤ 20 mA ⁴⁾	≤ 2,5 VA
Output type	PNP NPN, open collector (depending on type)	Relay, SPDT, electrically isolated ⁵⁾
Switching mode	Light/dark-switching	–
Switching mode selector	Selectable via light/dark selector	–
Output current I_{max.}	≤ 100 mA	–
Switching current max. (switching voltage)	–	0.11 A (250 V DC) 3 A (30 V DC) 3 A (250 V AC)
Switching frequency max. ⁷⁾(Response time)	1,000 Hz (≤ 500 µs ⁶⁾)	20 Hz (≤ 10 ms)
Connection type	Connector, M12 Cable, 2 m ⁸⁾ (depending on type)	Cable, 2 m ⁸⁾

	DC	AC/DC
Circuit protection	A ⁹⁾ B ¹⁰⁾ C ¹¹⁾ D ¹²⁾	C ¹¹⁾
Protection class	III	II ¹³⁾
Weight		
Connector M12, 4-pin	Ca. 35 g	-
Cable, 3-wire	Ca. 90 g	-
Cable, 5-wire	-	Ca. 115 g
Interference emission	-	EN 61000-6-3 (2011-09) ¹⁴⁾
Housing material	PVC / PMMA	
Enclosure rating	IP 67	
Relay switching cycles min.	-	100.000 cycles (3 A)
Items supplied	Mounting bracket BEF-G10DC01 (depending on type)	Mounting bracket BEF-G10UC01 (depending on type)
Usage category	-	AC-15, DC-13, according to EN 60947-1
EMC	EN 60947-5-2	
UL File No.	E348498	
Ambient operating temperature	-30 °C ... +60 °C	
Ambient storage temperature	-40 °C ... +70 °C	

¹⁾ Limit values: operation in short-circuit protected network max. 8 A.

²⁾ +- 10 %.

³⁾ May not exceed or fall short of V_s tolerances.

⁴⁾ Without load.

⁵⁾ Provide suitable spark suppression for inductive or capacitive loads.

⁶⁾ Signal transit time with resistive load.

⁷⁾ With light/dark ratio 1:1.

⁸⁾ Do not bend below 0 °C.

⁹⁾ A = V_s connections reverse-polarity protected.

¹⁰⁾ B = inputs and output reverse-polarity protected.

¹¹⁾ C = interference suppression.

¹²⁾ D = outputs overcurrent and short-circuit protected.

¹³⁾ Reference voltage: 250 V AC.

¹⁴⁾ In the case of a DC supply (ref. to EN 61000-6-3) the length of cable between the supply source and the sensor must be < 30 m.

Ordering information

Other models available at www.mysick.com/en/GTE10

GTE10, DC

- **Sensor principle:** Photoelectric proximity sensor
- **Detection principle:** energetic
- **Supply voltage:** 10 V DC ... 30 V DC
- **Switching frequency max.:** 1,000 Hz
- **Light spot size (distance):** Ø 28 mm (1,400 mm)
- **Type of light:** visible red light
- **Switching mode:** Light/dark-switching
- **Adjustment:** potentiometer, 270 °

Sensing range max. ¹⁾	Output type	Connection	Connection diagram	Items supplied	Model name	Part no.
20 mm ... 1,300 mm	PNP	Cable, 3-wire, 2 m, PVC	Cd-044	-	GTE10-P1211	1065865
				Mounting bracket BEF-G10DC01	GTE10-P1212	1065866
	NPN	Connector M12, 4-pin	Cd-066	-	GTE10-P4211	1064697
				Mounting bracket BEF-G10DC01	GTE10-P4212	1065867
	NPN	Cable, 3-wire, 2 m, PVC	Cd-044	-	GTE10-N1211	1065868
				Mounting bracket BEF-G10DC01	GTE10-N1212	1065869
NPN	Connector M12, 4-pin	Cd-066	-	GTE10-N4211	1065871	
			Mounting bracket BEF-G10DC01	GTE10-N4212	1065872	

¹⁾ Object with 90 % reflectance (referred to standard white, DIN 5033)

GTE10, AC/DC

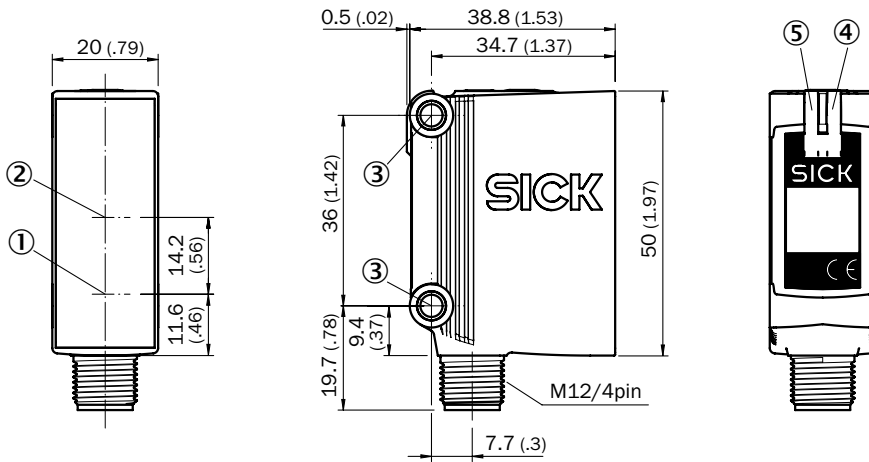
- **Sensor principle:** Photoelectric proximity sensor
- **Detection principle:** energetic
- **Supply voltage:** 24 V AC/DC ... 240 V AC/DC
- **Switching frequency max.:** 20 Hz
- **Output type:** relay
- **Adjustment:** potentiometer, 270 °
- **Connection:** Cable, 5-wire, 2 m, PVC

Sensing range max. ¹⁾	Light spot size (distance)	Type of light	Connection diagram	Items supplied	Model name	Part no.
20 mm ... 1,300 mm	Ø 28 mm (1,400 mm)	Visible red light	Cd-163	-	GTE10-R3811	1064688
				Mounting bracket BEF-G10UC01	GTE10-R3812	1065873
20 mm ... 2,000 mm	Ø 57 mm (1,500 mm)	Infrared light	Cd-163	-	GTE10-R3821	1065874
				Mounting bracket BEF-G10UC01	GTE10-R3822	1065875

¹⁾ Object with 90 % reflectance (referred to standard white, DIN 5033)

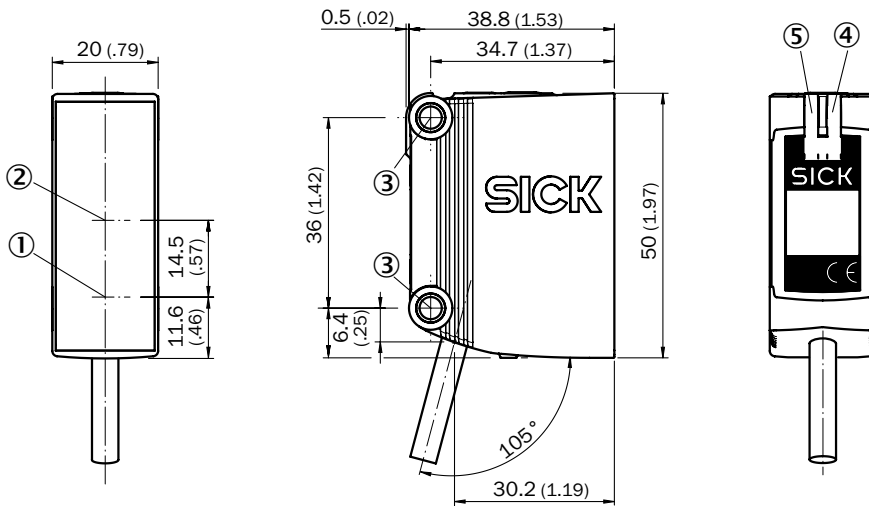
Dimensional drawings (Dimensions in mm (inch))

GTE10, DC, connector



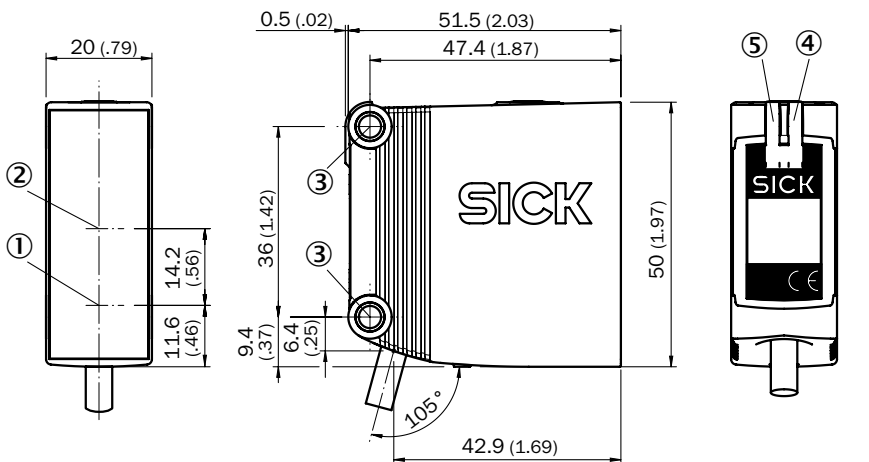
- ① Center of optical axis, sender
- ② Center of optical axis, receiver
- ③ Mounting hole Ø 4,2 mm
- ④ LED indicator yellow: Light received
- ⑤ LED signal strength indicator green:power on

GTE10, DC, cable



- ① Center of optical axis, sender
- ② Center of optical axis, receiver
- ③ Mounting hole Ø 4,2 mm
- ④ LED indicator yellow: Light received
- ⑤ LED signal strength indicator green:power on

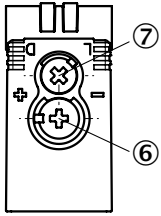
GTE10, AC/DC, cable



- ① Center of optical axis, sender
- ② Center of optical axis, receiver
- ③ Mounting hole Ø 4,2 mm
- ④ LED indicator yellow: Light received
- ⑤ LED signal strength indicator green:power on

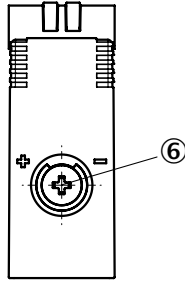
Adjustments

GTE10, DC



- ⑥ Sensing range adjustment
- ⑦ Light/dark selector

GTE10, AC/DC

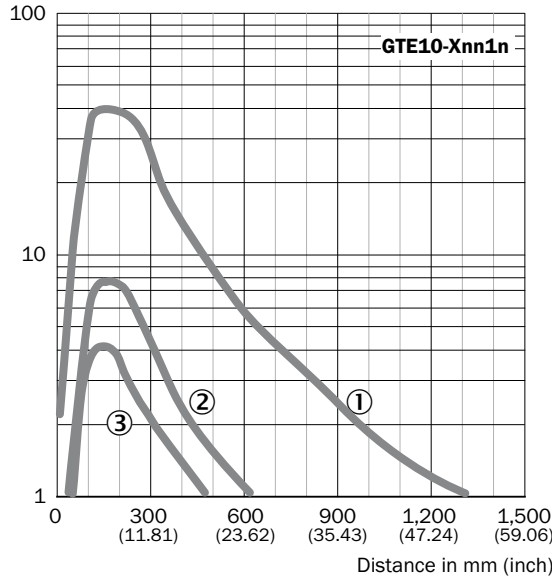


- ⑥ Sensing range adjustment

Sensing range

GTE10, red light

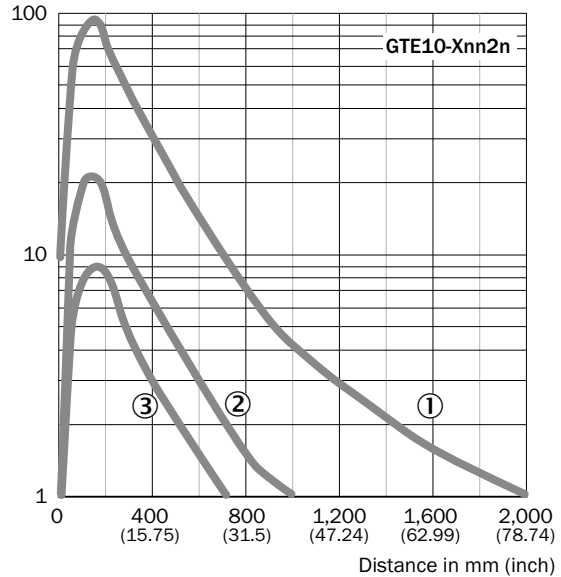
Operating reserve



- ① Sensing range on white, 90 % remission
- ② Sensing range on grey, 18 % remission
- ③ Sensing range on black, 6 % remission

GTE10, infrared light

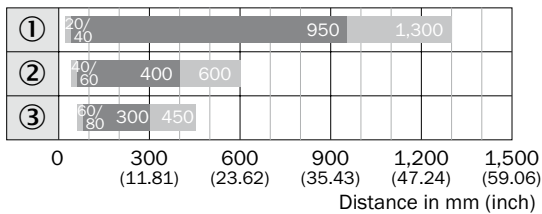
Operating reserve



- ① Sensing range on white, 90 % remission
- ② Sensing range on grey, 18 % remission
- ③ Sensing range on black, 6 % remission

Bar diagrams

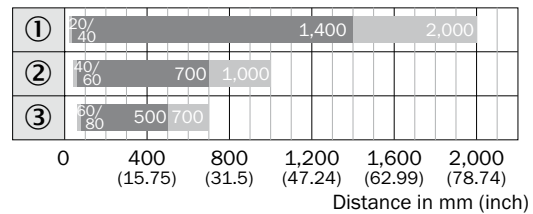
GTE10, red light



- Sensing range
- Sensing range max.

- ① Sensing range on white, 90 % remission
- ② Sensing range on grey, 18 % remission
- ③ Sensing range on black, 6 % remission

GTE10, infrared light

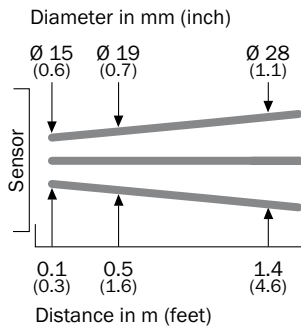


- Sensing range
- Sensing range max.

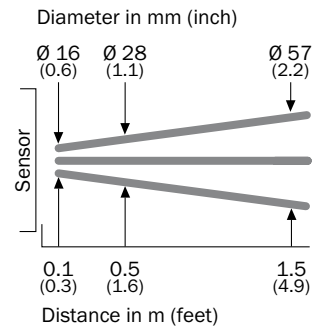
- ① Sensing range on white, 90 % remission
- ② Sensing range on grey, 18 % remission
- ③ Sensing range on black, 6 % remission

Light spot diameter

GTE10, red light

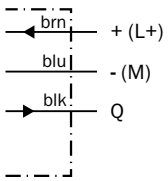


GTE10, infrared light

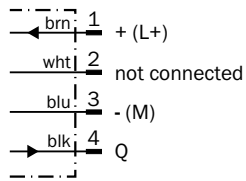


Connection diagram

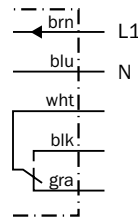
Cd-044



Cd-066



Cd-163



POWERFUL DETECTION, SMART INSTALLATION - DOWN TO THE LAST DETAIL



The diagram shows a sensor emitting a light beam towards a reflector, which reflects it back into the sensor. Below this are two blue GL10 sensors, one shown from the front and one from the side.

CE **cUL** **us** **PinPoint by SICK**

Additional information

- Detailed technical data 23
- Ordering information25
- Dimensional drawings27
- Adjustments 28
- Sensing range..... 28
- Bar diagrams..... 29
- Light spot diameter 29
- Connection diagram..... 29

Product description

GL10 photoelectric retro-reflective sensors are characterized by their long sensing ranges of up to 15 m on the PL80A reflector and their small housing. They support different operation options (with or without sensor setting), power supplies (DC or AC/DC), and switching outputs (PNP/NPN or relay). Combined with an extensive range of accessories, these sensors are able to support a wide variety of applications. The pat-

ented Q-Lock assembly system for the G10 product family reduces the time required to install and align the sensor to just a few seconds, making this the ideal product for logistics applications. Summary: the GL10 provides quick and flexible sensor installation, ensures error-free operation, and keeps costs under control.

At a glance

- Long sensing ranges: up to 15 m on PL80A reflector
- PinPoint LED with bright and precise light spot
- Immunity to ambient light
- 10 V DC ... 30 V DC or 24 V AC/DC ... 240 V AC/DC power supply with PNP/NPN or relay output
- With or without sensitivity adjustment
- Small housing design
- Rugged sensor housing with metal-reinforced holes for assembly
- Q-Lock assembly system for mounting and aligning the sensor within a few seconds

Your benefits

- Long sensing ranges for maximum operating reserves
- Efficient installation: the GL10 and the Q-Lock assembly system save valuable hours when mounting and commissioning multiple sensors
- Universal DC or AC/DC power supply for even greater application flexibility
- Highly reliable and durable despite optical interference or mechanical loads
- Wide range of accessories simplifies sensor integration: aids for assembly, connecting cables, and reflectors

→ www.mysick.com/en/GL10

For more information, just enter the link or scan the QR code and get direct access to technical data, CAD design models, operating instructions, software, application examples and much more.



Detailed technical data

Features

	DC	AC/DC
Sensor principle	Photoelectric retro-reflective sensor	
Detection principle	Standard optics	
Dimensions (W x H x D)	20 mm x 50 mm x 39 mm	20 mm x 50 mm x 51.5 mm
Housing design (light emission)	Rectangular	
Sensing range max.	0.08 m ... 15 m ¹⁾ 0,15 m ... 12 m ¹⁾ 0.08 m ... 12 m ²⁾ 0,15 m ... 10 m ²⁾ (depending on type)	0.08 m ... 15 m ¹⁾ 0.08 m ... 12 m ²⁾
Sensing range	0.15 m ... 12 m ¹⁾ 0,3 m ... 9,5 m ¹⁾ 0.15 m ... 10 m ²⁾ 0,3 m ... 8 m ²⁾ (depending on type)	0.15 m ... 12 m ¹⁾ 0.15 m ... 10 m ²⁾
Type of light	Visible red light	
Light source ³⁾	PinPoint LED	
Light spot size (distance)	Ø 58 mm (5 m)	
Wave length	625 nm	
Adjustment	Potentiometer, 270 °	

¹⁾ PL80A.²⁾ P250.³⁾ Average service life of 100,000 h at T_A = +25 °C.

Mechanics/electronics

	DC	AC/DC
Supply voltage	10 V DC ... 30 V DC ¹⁾	24 V AC/DC ... 240 V AC/DC ²⁾
Ripple ³⁾	± 5 V _{SS}	
Power consumption	≤ 20 mA ⁴⁾	≤ 2,5 VA
Output type	PNP NPN, open collector (depending on type)	Relay, SPDT, electrically isolated ⁵⁾
Switching mode	Light/dark-switching / Light switching (depending on type)	–
Switching mode selector	Selectable via light/dark selector	–
Output current I_{max.}	≤ 100 mA	–
Switching current max. (switching voltage)	–	0.11 A (250 V DC) 3 A (30 V DC) 3 A (250 V AC)
Switching frequency max. ⁷⁾ (Response time)	1,000 Hz (≤ 500 µs ⁶⁾) 500 Hz (≤ 1 ms ⁶⁾) (depending on type)	20 Hz (≤ 10 ms)
Connection type	Connector, M12 Cable, 2 m ⁸⁾ (depending on type)	Cable, 2 m ⁸⁾
Circuit protection	A ⁹⁾ B ¹⁰⁾ C ¹¹⁾ D ¹²⁾	C ¹¹⁾

	DC	AC/DC
Protection class	III	II ¹³⁾
Weight		
Connector M12, 4-pin	Ca. 35 g	-
Cable, 3-wire	Ca. 90 g	-
Cable, 5-wire	-	Ca. 115 g
Polarisation filter	✓	
Interference emission	-	EN 61000-6-3 (2011-09) ¹⁴⁾
Housing material	PVC / PMMA	
Enclosure rating	IP 67	
Relay switching cycles min.	-	100.000 cycles (3 A)
Items supplied	Mounting bracket BEF-G10DC01, Reflector P250, Q-Lock mounting system BEF-KH-SQ12R01 (depending on type)	Mounting bracket BEF-G10UC01, Reflector P250 (depending on type)
Usage category	-	AC-15, DC-13, according to EN 60947-1
EMC	EN 60947-5-2	
UL File No.	E348498	
Ambient operating temperature	-30 °C ... +60 °C	
Ambient storage temperature	-40 °C ... +70 °C	

¹⁾ Limit values: operation in short-circuit protected network max. 8 A.

²⁾ +- 10 %.

³⁾ May not exceed or fall short of V_s tolerances.

⁴⁾ Without load.

⁵⁾ Provide suitable spark suppression for inductive or capacitive loads.

⁶⁾ Signal transit time with resistive load.

⁷⁾ With light/dark ratio 1:1.

⁸⁾ Do not bend below 0 °C.

⁹⁾ A = V_s connections reverse-polarity protected.

¹⁰⁾ B = inputs and output reverse-polarity protected.

¹¹⁾ C = interference suppression.

¹²⁾ D = outputs overcurrent and short-circuit protected.

¹³⁾ Reference voltage: 250 V AC.

¹⁴⁾ In the case of a DC supply (ref. to EN 61000-6-3) the length of cable between the supply source and the sensor must be < 30 m.

Ordering information

Other models available at www.mysick.com/en/GL10

GL10, DC

- **Sensor principle:** Photoelectric retro-reflective sensor
- **Supply voltage:** 10 V DC ... 30 V DC
- **Switching frequency max.:** 1,000 Hz
- **Light spot size (distance):** Ø 58 mm (5 m)
- **Type of light:** visible red light
- **Switching mode:** Light/dark-switching

Sensing range max.	Output type	Adjustment	Connection	Connection diagram	Items supplied	Model name	Part no.	
0.08 m ... 15 m ¹⁾	PNP	-	Cable, 3-wire, 2 m, PVC	Cd-044	-	GL10-P1111	1065876	
					Mounting bracket BEF-G10DC01, Reflector P250	GL10-P1112	1065877	
		-	Connector M12, 4-pin	Cd-066	-	GL10-P4111	1065878	
					Mounting bracket BEF-G10DC01, Reflector P250	GL10-P4112	1065879	
		Potentiometer, 270 °	Cable, 3-wire, 2 m, PVC	Cd-044	-	GL10-P1211	1065885	
					Mounting bracket BEF-G10DC01, Reflector P250	GL10-P1212	1065886	
	-	Connector M12, 4-pin	Cd-066	-	GL10-P4211	1065890		
				Mounting bracket BEF-G10DC01, Reflector P250	GL10-P4212	1065887		
	0.08 m ... 12 m ²⁾	NPN	-	Cable, 3-wire, 2 m, PVC	Cd-044	-	GL10-N1111	1065880
						Mounting bracket BEF-G10DC01, Reflector P250	GL10-N1112	1065882
			-	Connector M12, 4-pin	Cd-066	-	GL10-N4111	1065883
						Mounting bracket BEF-G10DC01, Reflector P250	GL10-N4112	1065884
Potentiometer, 270 °			Cable, 3-wire, 2 m, PVC	Cd-044	-	GL10-N1211	1065888	
					Mounting bracket BEF-G10DC01, Reflector P250	GL10-N1212	1065889	
-	Connector M12, 4-pin	Cd-066	-	GL10-N4211	1064700			
			Mounting bracket BEF-G10DC01, Reflector P250	GL10-N4212	1065891			

¹⁾ PL80A.

²⁾ P250.

GL10, DC, optimized for logistics applications, detection of stretch foil wrapped objects

- **Sensor principle:** Photoelectric retro-reflective sensor
- **Supply voltage:** 10 V DC ... 30 V DC
- **Switching frequency max.:** 500 Hz
- **Light spot size (distance):** Ø 58 mm (5 m)
- **Type of light:** visible red light
- **Adjustment:** no/fix
- **Switching mode:** Light switching

Sensing range max.	Output type	Connection	Connection diagram	Items supplied	Model name	Part no.
0.15 m ... 12 m ¹⁾ 0.15 m ... 10 m ²⁾	PNP	Connector M12, 4-pin	Cd-066	-	GL10-P4551	1064702
				Q-Lock mounting system BEF-KH-SQ12R01	GL10-P4554	1065893
	NPN	Cable, 3-wire, 2 m, PVC	Cd-044	-	GL10-N1551	1065892

¹⁾ PL80A.

²⁾ P250.

GL10, AC/DC

- **Sensor principle:** Photoelectric retro-reflective sensor
- **Detection principle:** Standard optics
- **Supply voltage:** 24 V AC/DC ... 240 V AC/DC
- **Switching frequency max.:** 20 Hz
- **Light spot size (distance):** Ø 58 mm (5 m)
- **Type of light:** visible red light
- **Output type:** relay
- **Connection:** Cable, 5-wire, 2 m, PVC

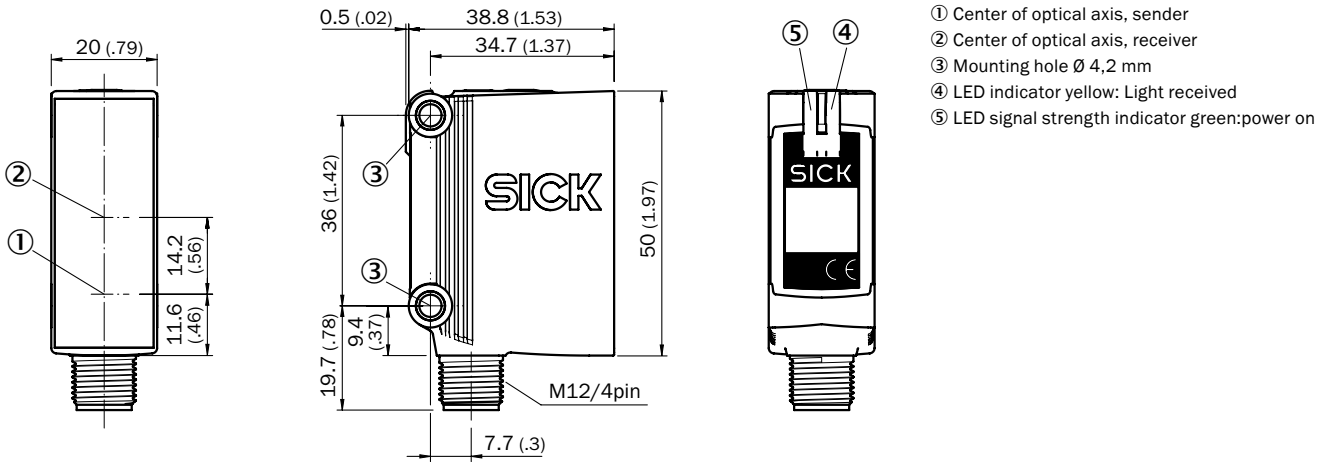
Sensing range max.	Adjustment	Connection diagram	Items supplied	Model name	Part no.
0.08 m ... 15 m ¹⁾ 0.08 m ... 12 m ²⁾	-	Cd-163	-	GL10-R3711	1065896
			Mounting bracket BEF-G10UC01, Reflector P250	GL10-R3712	1065897
	Potentiometer, 270 °	Cd-163	-	GL10-R3811	1064689
			Mounting bracket BEF-G10UC01, Reflector P250	GL10-R3812	1065898

¹⁾ PL80A.

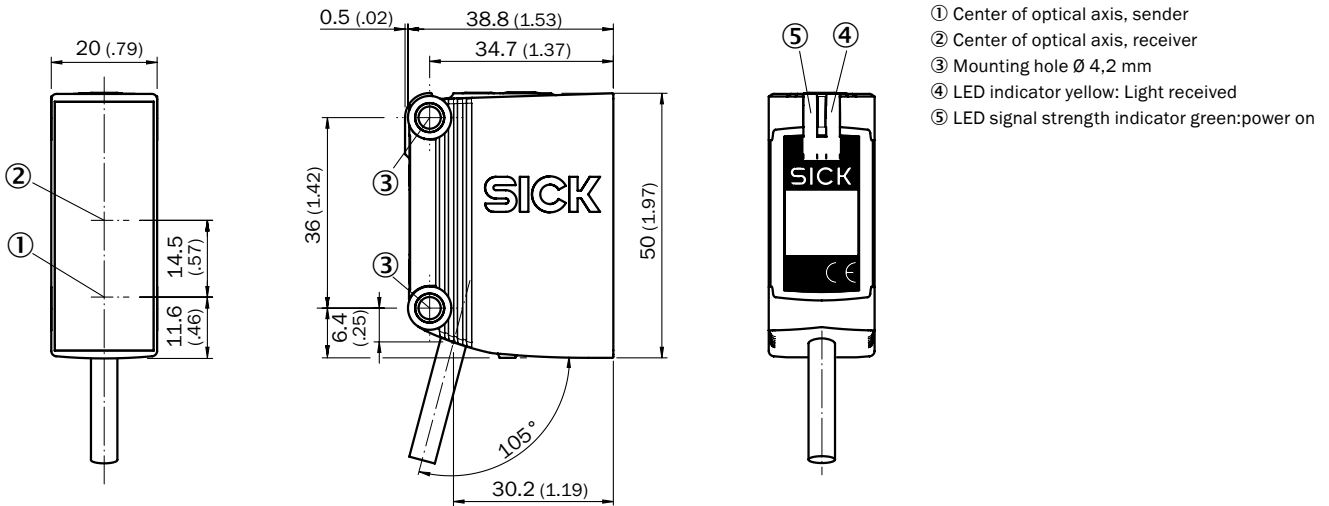
²⁾ P250.

Dimensional drawings (Dimensions in mm (inch))

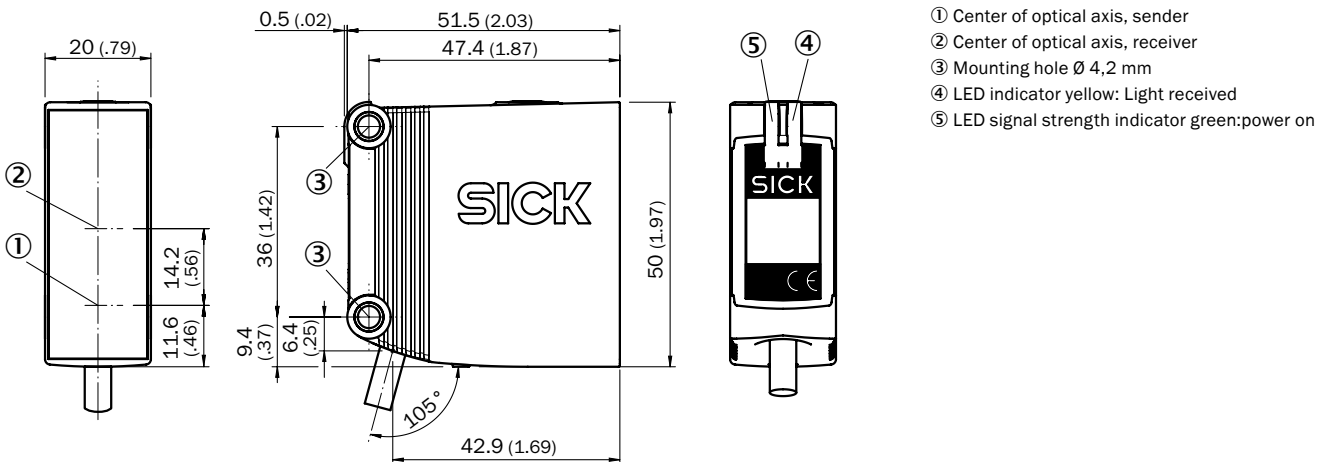
GL10, DC, connector



GL10, DC, cable

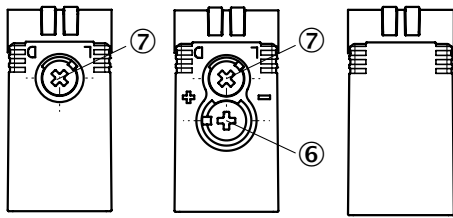


GL10, AC/DC, cable



Adjustments

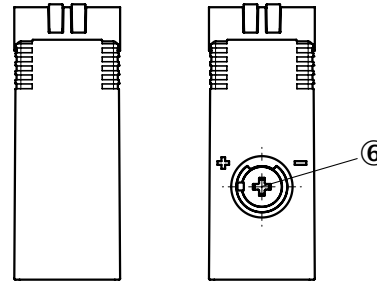
GL10, DC



- ⑥ Sensing range adjustment
- ⑦ Light/dark selector

GL10, logistics, DC

GL10, AC/DC

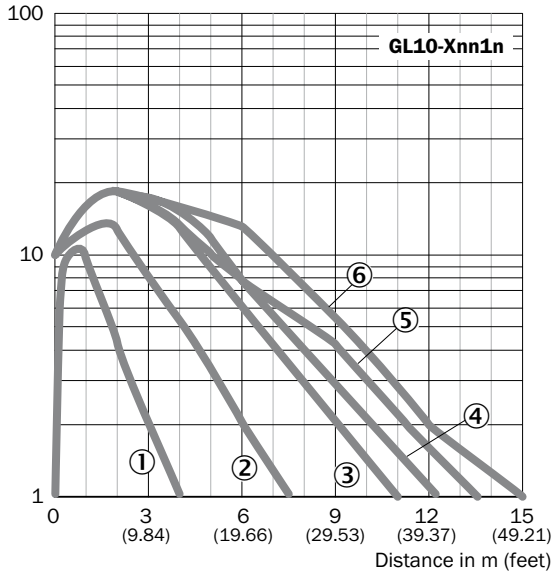


- ⑥ Sensing range adjustment

Sensing range

GL10, DC, AC/DC

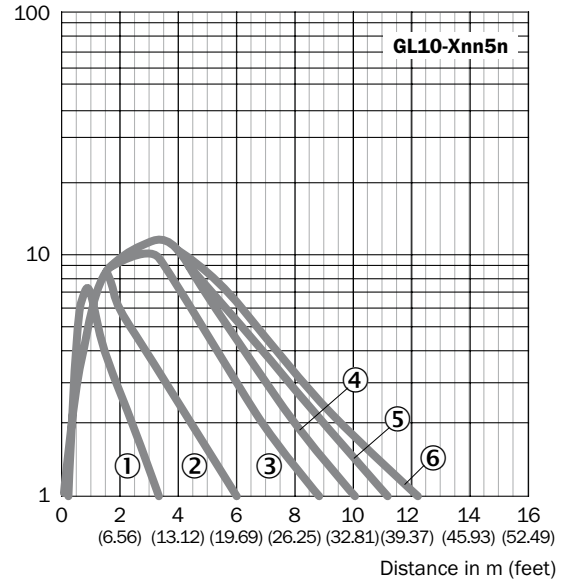
Operating reserve



- ① REF-IRF-56
- ② PL20A
- ③ PL30A
- ④ P250
- ⑤ PL40A
- ⑥ PL80A

GL10, logistics, DC

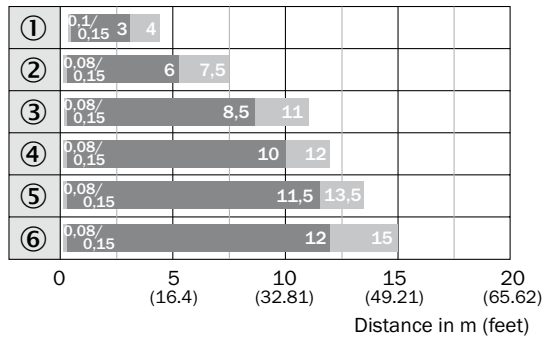
Operating Reserve



- ① REF-IRF-56
- ② PL20A
- ③ PL30A
- ④ P250
- ⑤ PL40A
- ⑥ PL80A

Bar diagrams

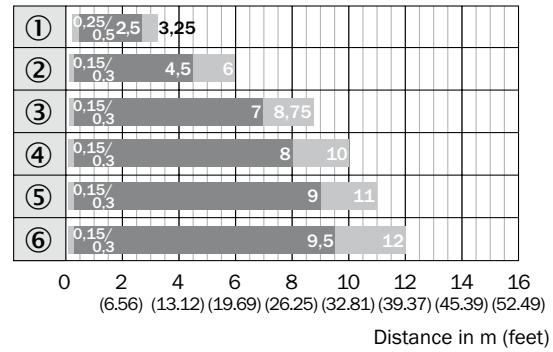
GL10, DC, AC/DC



■ Sensing range ■ Sensing range max.

- ① REF-IRF-56
- ② PL20A
- ③ PL30A
- ④ P250
- ⑤ PL40A
- ⑥ PL80A

GL10, logistics, DC

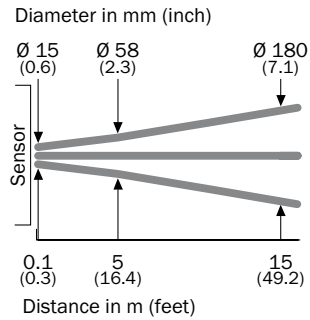


■ Sensing range ■ Sensing range max.

- ① REF-IRF-56
- ② PL20A
- ③ PL30A
- ④ P250
- ⑤ PL40A
- ⑥ PL80A

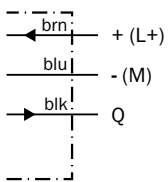
Light spot diameter

GL10

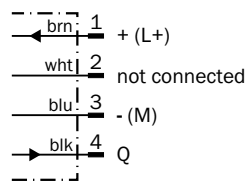


Connection diagram

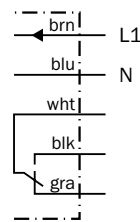
Cd-044



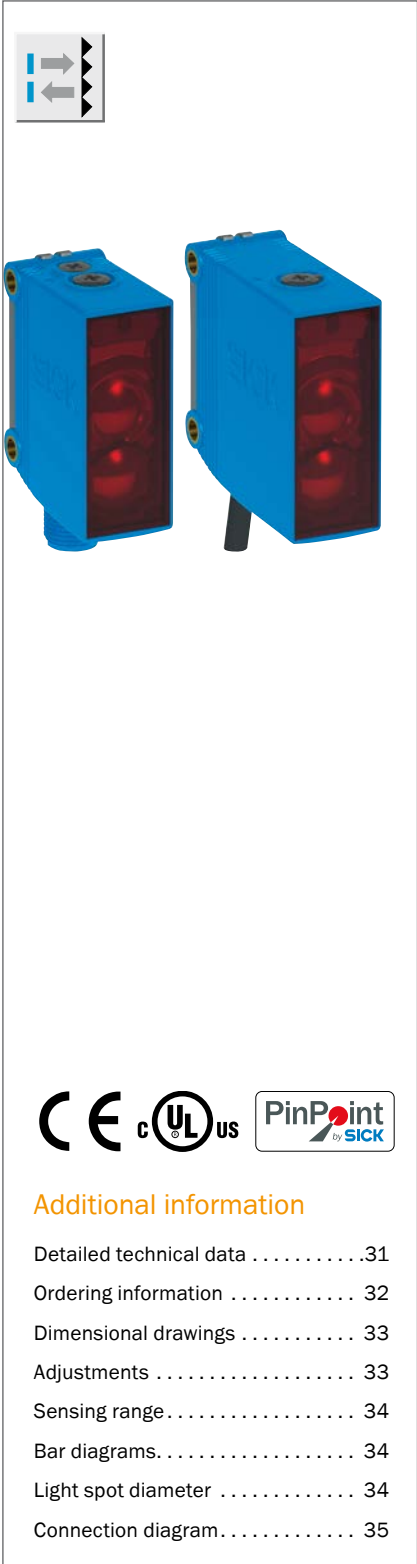
Cd-066



Cd-163



POWERFUL DETECTION, SMART INSTALLATION - DOWN TO THE LAST DETAIL



Product description

GL10G photoelectric retro-reflective sensors for the detection of transparent objects are characterized by their long sensing ranges of up to 12 m on the PL80A reflector and their small housing. Combined with an extensive range of accessories, they provide a simple way to integrate sensors into systems. The

patented Q-Lock assembly system for the G10 reduces the time required to install and align the sensor to just a few seconds, making this the ideal product for logistics applications. Summary: the GL10G provides quick and flexible sensor installation, ensures error-free operation, and keeps costs under control.

At a glance

- Long sensing ranges for transparent objects: 12 m (with PL80A)
- PinPoint LED with bright and precise light spot
- Immunity to ambient light
- Small housing design
- Rugged sensor housing with metal-reinforced holes for assembly
- Q-Lock assembly system for mounting and aligning the sensor within a few seconds

Your benefits

- Long sensing ranges for maximum operating reserves
- Reliable detection of transparent objects
- Efficient installation: the GL10G and the Q-Lock assembly system save valuable hours when mounting and commissioning multiple sensors
- Highly reliable and durable despite optical interference or mechanical loads
- Wide range of accessories simplifies sensor integration: aids for assembly, connecting cables, and reflectors

→ www.mysick.com/en/GL10G

For more information, just enter the link or scan the QR code and get direct access to technical data, CAD design models, operating instructions, software, application examples and much more.



Detailed technical data

Features

	DC
Sensor principle	Photoelectric retro-reflective sensor
Detection principle	Clear material detection ¹⁾
Dimensions (W x H x D)	20 mm x 50 mm x 39 mm
Housing design (light emission)	Rectangular
Sensing range max.	0.15 m ... 12 m ²⁾ 0.15 m ... 10 m ³⁾
Sensing range	0.3 m ... 9.5 m ²⁾ 0.3 m ... 8 m ³⁾
Type of light	Visible red light
Light source ⁴⁾	PinPoint LED
Light spot size (distance)	Ø 58 mm (5 m)
Wave length	625 nm
Adjustment	Potentiometer, 270 °

¹⁾ Minimum signal attenuation 20 %. Temperature stability after adjustment and warm up time +/-10°C.

²⁾ PL80A.

³⁾ P250.

⁴⁾ Average service life of 100,000 h at T_A = +25 °C.

Mechanics/electronics

	DC
Supply voltage ¹⁾	10 V DC ... 30 V DC
Ripple ²⁾	± 5 V _{SS}
Power consumption ³⁾	≤ 20 mA
Output type	PNP NPN, open collector (depending on type)
Switching mode	Light/dark-switching
Switching mode selector	Selectable via light/dark selector
Output current I_{max.}	≤ 100 mA
Response time	≤ 1 ms ⁴⁾
Switching frequency max. ⁵⁾	500 Hz
Connection type	Connector, M12 Cable, 2 m ⁶⁾ (depending on type)
Circuit protection	A ⁷⁾ B ⁸⁾ C ⁹⁾ D ¹⁰⁾
Protection class	III
Weight	
Connector M12, 4-pin	Ca. 35 g
Cable, 3-wire	Ca. 90 g
Polarisation filter	✓

	DC
Housing material	PVC / PMMA
Enclosure rating	IP 67
Items supplied	Mounting bracket BEF-G10DC01, Reflector P250 (depending on type)
EMC	EN 60947-5-2
UL File No.	E348498
Ambient operating temperature	-30 °C ... +60 °C
Ambient storage temperature	-40 °C ... +70 °C

¹⁾ Limit values: operation in short-circuit protected network max. 8 A.

²⁾ May not exceed or fall short of V_s tolerances.

³⁾ Without load.

⁴⁾ Signal transit time with resistive load.

⁵⁾ With light/dark ratio 1:1.

⁶⁾ Do not bend below 0 °C.

⁷⁾ A = V_s connections reverse-polarity protected.

⁸⁾ B = inputs and output reverse-polarity protected.

⁹⁾ C = interference suppression.

¹⁰⁾ D = outputs overcurrent and short-circuit protected.

Ordering information

Other models available at www.mysick.com/en/GL10G

GL10G, DC

- **Sensor principle:** Photoelectric retro-reflective sensor
- **Detection principle:** Clear material detection (Minimum signal attenuation 20 %.)
- **Supply voltage:** 10 V DC ... 30 V DC
- **Switching frequency max.:** 500 Hz
- **Light spot size (distance):** Ø 58 mm (5 m)
- **Type of light:** visible red light
- **Switching mode:** Light/dark-switching
- **Adjustment:** potentiometer, 270 °

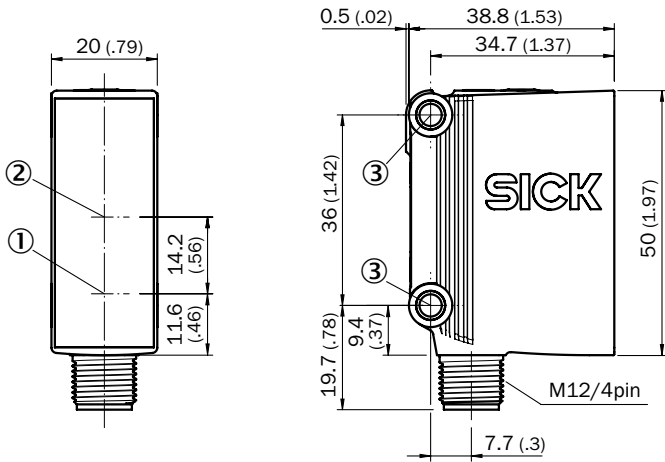
Sensing range max.	Output type	Connection	Connection diagram	Items supplied	Model name	Part no.
0.15 m ... 12 m ¹⁾ 0.15 m ... 10 m ²⁾	PNP	Connector M12, 4-pin	Cd-066	-	GL10G-P4251	1064704
				Mounting bracket BEF-G10DC01, Reflector P250	GL10G-P4252	1065894
	NPN	Cable, 3-wire, 2 m, PVC	Cd-044	-	GL10G-N1251	1064705
				Mounting bracket BEF-G10DC01, Reflector P250	GL10G-N1252	1065895

¹⁾ PL80A.

²⁾ P250.

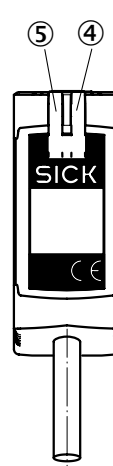
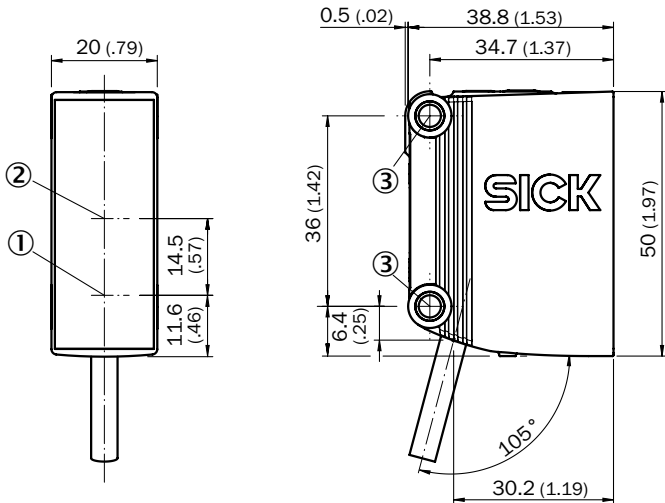
Dimensional drawings (Dimensions in mm (inch))

GL10G, DC, connector



- ① Center of optical axis, sender
- ② Center of optical axis, receiver
- ③ Mounting hole Ø 4,2 mm
- ④ LED indicator yellow: Light received
- ⑤ LED signal strength indicator green:power on

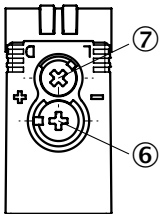
GL10G, DC, cable



- ① Center of optical axis, sender
- ② Center of optical axis, receiver
- ③ Mounting hole Ø 4,2 mm
- ④ LED indicator yellow: Light received
- ⑤ LED signal strength indicator green:power on

Adjustments

GL10G, DC

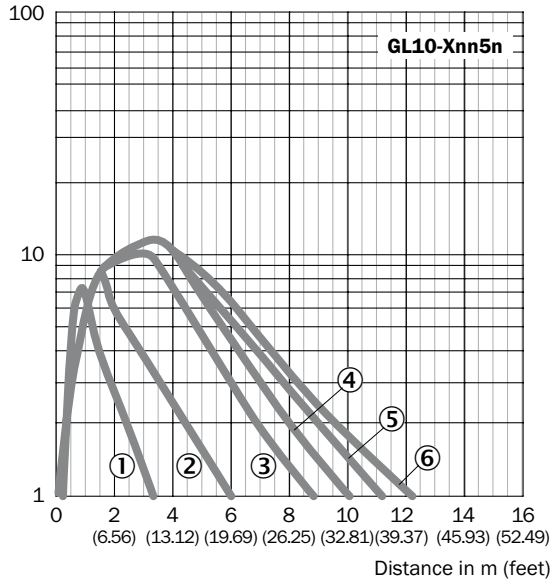


- ⑥ Sensing range adjustment
- ⑦ Light/dark selector

Sensing range

GL10G, DC

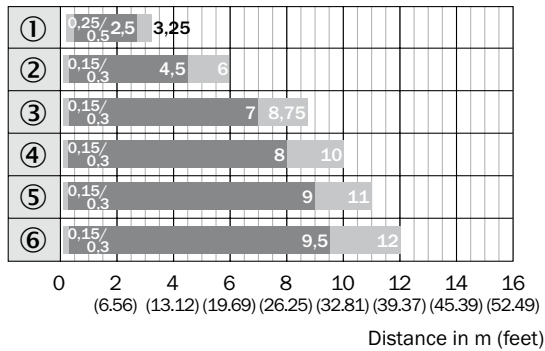
Operating Reserve



- ① REF-IRF-56
- ② PL20A
- ③ PL30A
- ④ P250
- ⑤ PL40A
- ⑥ PL80A

Bar diagrams

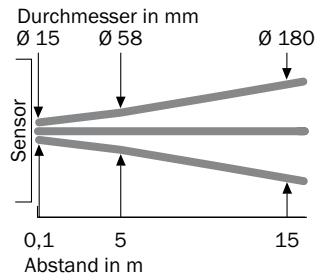
GL10G, DC



- ① REF-IRF-56
- ② PL20A
- ③ PL30A
- ④ P250
- ⑤ PL40A
- ⑥ PL80A

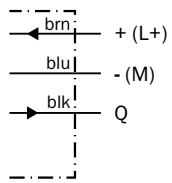
Light spot diameter

GL10G, DC

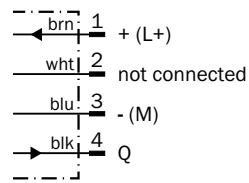


Connection diagram

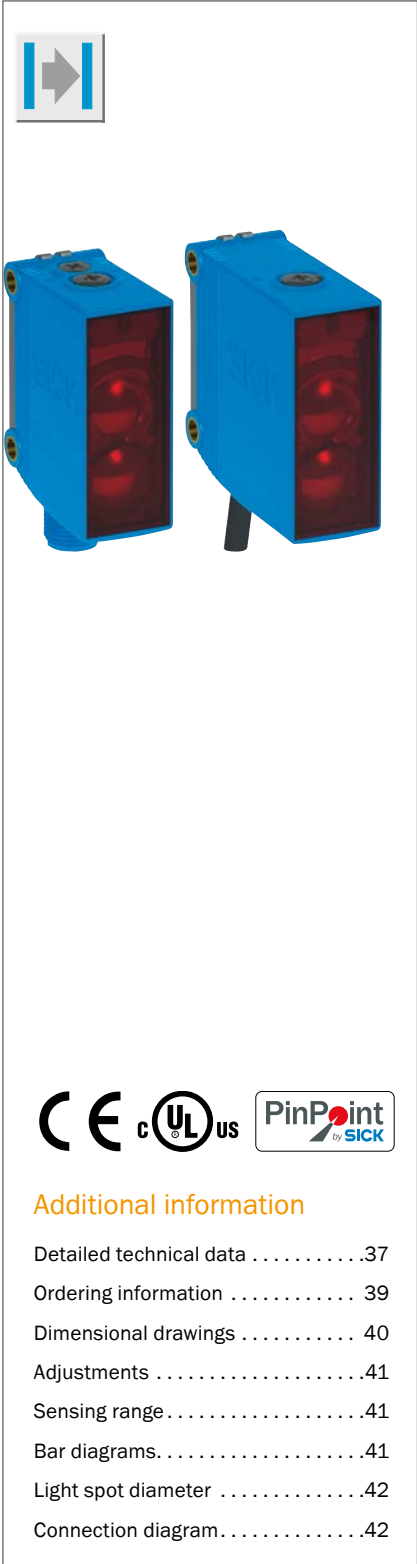
Cd-044



Cd-066



POWERFUL DETECTION, SMART INSTALLATION - DOWN TO THE LAST DETAIL



Product description

GSE10 through-beam photoelectric sensors are characterized by their long sensing ranges of up to 40 m and their small housing. They support different optics (PinPoint red light or infrared light), operation options (with or without sensor setting), power supplies (DC or AC/DC), and switching outputs (PNP/NPN or relay). Combined with an exten-

sive range of accessories, these sensors are able to support a wide variety of applications. The portfolio is completed by special accessories such as the weatherproof housing for the G10. Summary: the GSE10 provides quick and flexible sensor installation, ensures error-free operation, and keeps costs under control.

At a glance

- Long sensing ranges: up to 40 m
- PinPoint LED with bright and precise light spot
- With or without sensitivity adjustment
- 10 V DC ... 30 V DC or 24 V AC/DC ... 240 V AC/DC power supply with PNP/NPN or relay output
- Small housing design
- Rugged sensor housing with metal-reinforced holes for assembly
- Weatherproof housing: ideal for outdoor applications

Your benefits

- Long sensing ranges for maximum operating reserves
- Universal DC or AC/DC power supply for even greater application flexibility
- Highly reliable and durable despite optical interference or mechanical loads
- Wide range of accessories simplifies sensor integration: aids for assembly and connectors
- Long service life even when used in outdoor applications thanks to rugged weatherproof housing

→ www.mysick.com/en/GSE10

For more information, just enter the link or scan the QR code and get direct access to technical data, CAD design models, operating instructions, software, application examples and much more.



Detailed technical data

Features

	DC	AC/DC
Sensor principle	Through-beam photoelectric sensor	
Dimensions (W x H x D)	20 mm x 50 mm x 39 mm	20 mm x 50 mm x 51.5 mm
Housing design (light emission)	Rectangular	
Sensing range max.	0 m ... 40 m	
Sensing range	0 m ... 35 m	
Type of light	Visible red light / Infrared light (depending on type)	
Light source	PinPoint LED ¹⁾ LED ¹⁾ (depending on type)	
Light spot size (distance)		
Visible red light	Ø 180 mm (15 m)	
Infrared light	Ø 433 mm (15 m)	
Wave length		
Visible red light	625 nm	
Infrared light	850 nm	
Adjustment	Potentiometer, 270 °	

¹⁾ Average service life of 100,000 h at T_A = +25 °C.

Mechanics/electronics

	DC	AC/DC
Supply voltage	10 V DC ... 30 V DC ¹⁾	24 V AC/DC ... 240 V AC/DC ²⁾
Ripple ³⁾	± 5 V _{SS}	
Power consumption	≤ 30 mA ⁴⁾	≤ 0.6 VA
Power consumption		
Sender	≤ 15 mA ⁴⁾	≤ 2,0 VA
Receiver	≤ 20 mA ⁴⁾	≤ 2,5 VA
Output type	PNP NPN, open collector (depending on type)	Relay, SPDT, electrically isolated ⁵⁾
Switching mode	Light/dark-switching	–
Switching mode selector	Selectable via light/dark selector	–
Output current I_{max.}	≤ 100 mA	–
Switching current max. (switching voltage)	–	0.11 A (250 V DC) 3 A (30 V DC) 3 A (250 V AC)
Response time	≤ 500 µs ⁶⁾	≤ 10 ms
Switching frequency max. ⁷⁾	1,000 Hz	20 Hz
Connection type	Connector, M12 Cable, 2 m ⁸⁾ (depending on type)	Cable, 2 m ⁸⁾
Circuit protection	A ⁹⁾ B ¹⁰⁾ C ¹¹⁾ D ¹²⁾	C ¹¹⁾
Protection class	III	II ¹³⁾

	DC	AC/DC
Weight		
Connector M12, 4-pin	Ca. 70 g	-
Cable, 3-wire	Ca. 180 g	-
Cable, 5-wire	-	Ca. 230 g
Interference emission	-	EN 61000-6-3 (2011-09) ¹⁴⁾
Housing material	PVC / PMMA	
Enclosure rating	IP 67	
Relay switching cycles min.	-	100.000 cycles (3 A)
Items supplied	Mounting bracket BEF-G10DC01 (2x) (depending on type)	Mounting bracket BEF-G10UC01 (2x) (depending on type)
Usage category	-	AC-15, DC-13, according to EN 60947-1
EMC	EN 60947-5-2	
UL File No.	E348498	
Test input	Sender OFF at "Test" 0 V	-
Ambient operating temperature	-30 °C ... +60 °C	
Ambient storage temperature	-40 °C ... +70 °C	

¹⁾ Limit values: operation in short-circuit protected network max. 8 A.

²⁾ +/- 10 %.

³⁾ May not exceed or fall short of V_S tolerances.

⁴⁾ Without load.

⁵⁾ Provide suitable spark suppression for inductive or capacitive loads.

⁶⁾ Signal transit time with resistive load.

⁷⁾ With light/dark ratio 1:1.

⁸⁾ Do not bend below 0 °C.

⁹⁾ A = V_S connections reverse-polarity protected.

¹⁰⁾ B = inputs and output reverse-polarity protected.

¹¹⁾ C = interference suppression.

¹²⁾ D = outputs overcurrent and short-circuit protected.

¹³⁾ Reference voltage: 250 V AC.

¹⁴⁾ In the case of a DC supply (ref. to EN 61000-6-3) the length of cable between the supply source and the sensor must be < 30 m.

Ordering information

Other models available at www.mysick.com/en/GSE10

GSE10, DC

- **Sensor principle:** Through-beam photoelectric sensor
- **Supply voltage:** 10 V DC ... 30 V DC
- **Switching frequency max.:** 1,000 Hz
- **Light spot size visible red light (distance):** Ø 180 mm (15 m)
- **Light spot size infrared light (distance):** Ø 433 mm (15 m)
- **Switching mode:** Light/dark-switching

Sensing range max.	Type of light	Output type	Adjustment	Connection	Connection diagram	Items supplied	Model name	Part no.	
0 m ... 40 m	Visible red light	PNP	-	Connector M12, 4-pin	Cd-073	-	GSE10-P4111	1065899	
						Mounting bracket BEF-G10DC01 (2x)	GSE10-P4112	1065900	
						-	GSE10-P4211	1064706	
						Mounting bracket BEF-G10DC01 (2x)	GSE10-P4212	1065903	
						-	GSE10-P4221	1065906	
						Mounting bracket BEF-G10DC01 (2x)	GSE10-P4222	1065907	
	Infrared light	-	-	-	-	-	-	GSE10-N1111	1065901
							Mounting bracket BEF-G10DC01 (2x)	GSE10-N1112	1065902
							-	GSE10-N1211	1065904
							Mounting bracket BEF-G10DC01 (2x)	GSE10-N1212	1065905
							-	GSE10-N1221	1065908
							Mounting bracket BEF-G10DC01 (2x)	GSE10-N1222	1065909

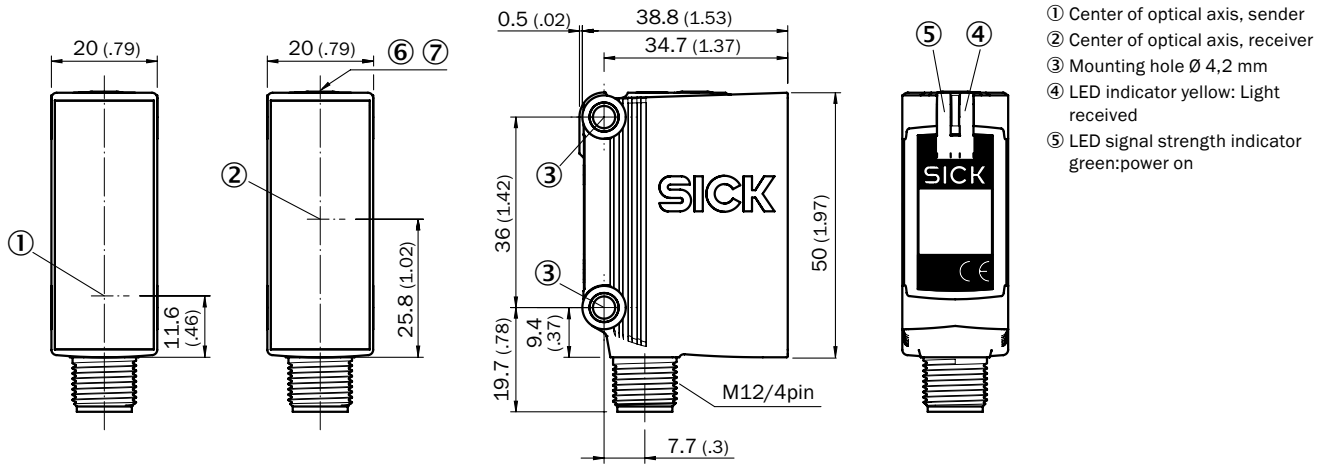
GSE10, AC/DC

- **Sensor principle:** Through-beam photoelectric sensor
- **Supply voltage:** 24 V AC/DC ... 240 V AC/DC
- **Switching frequency max.:** 20 Hz
- **Light spot size visible red light (distance):** Ø 180 mm (15 m)
- **Light spot size infrared light (distance):** Ø 433 mm (15 m)
- **Output type:** relay
- **Connection:** Cable, 5-wire, 2 m, PVC

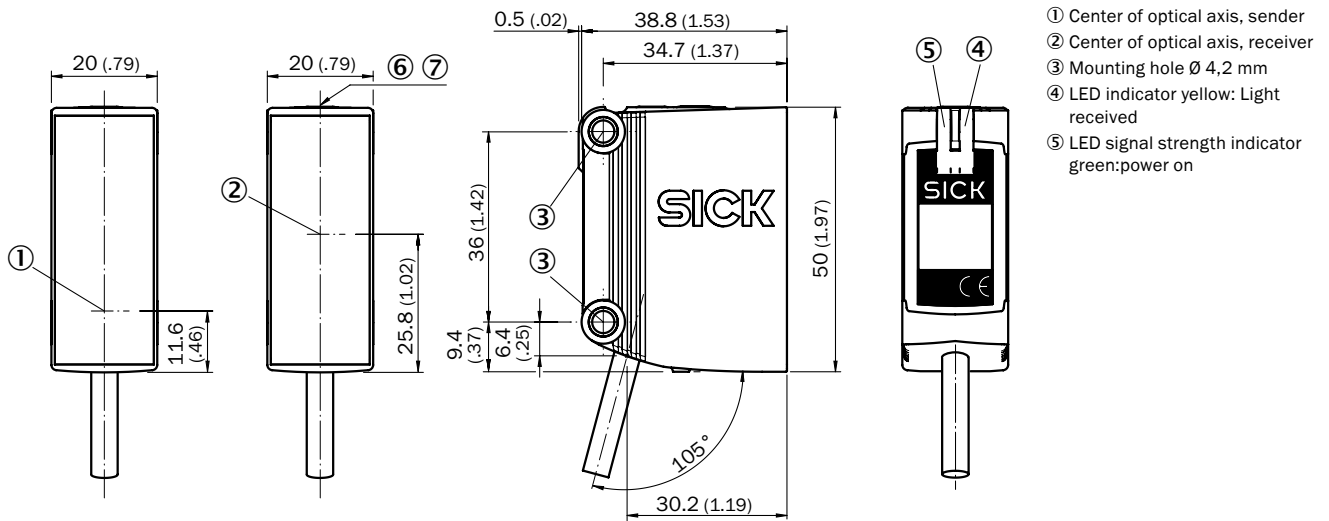
Sensing range max.	Type of light	Adjustment	Connection diagram	Items supplied	Model name	Part no.	
0 m ... 40 m	Visible red light	-	Cd-170	-	GSE10-R3711	1065910	
				Mounting bracket BEF-G10UC01 (2x)	GSE10-R3712	1065911	
				-	GSE10-R3811	1064691	
	Infrared light	-		-	Mounting bracket BEF-G10UC01 (2x)	GSE10-R3812	1065912
					-	GSE10-R3721	1065913
					Mounting bracket BEF-G10UC01 (2x)	GSE10-R3722	1065914

Dimensional drawings (Dimensions in mm (inch))

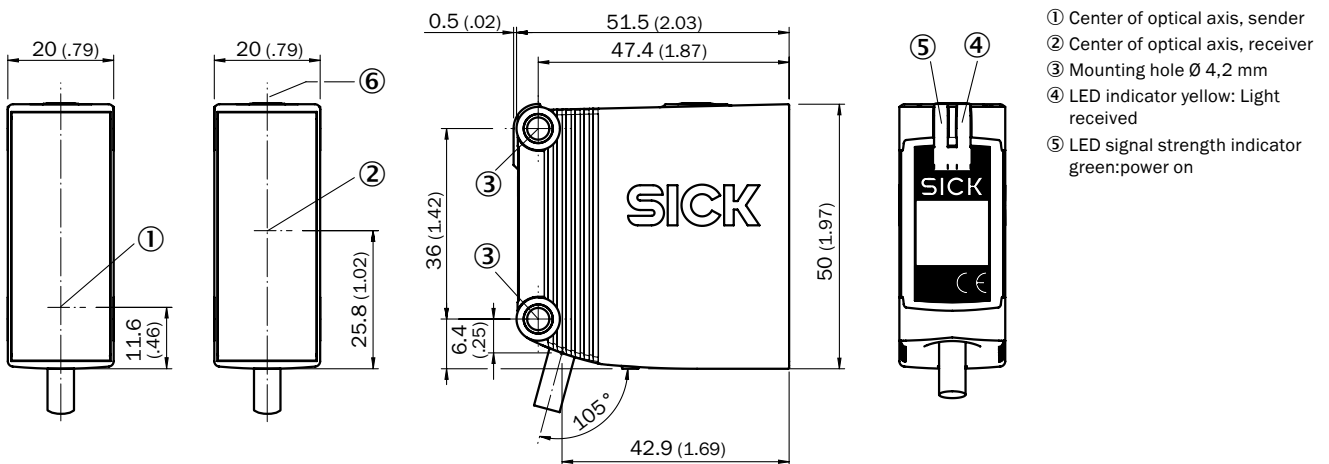
GSE10, DC, connector



GSE10, DC, cable

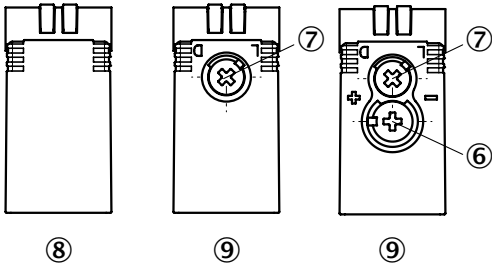


GSE10, AC/DC, cable



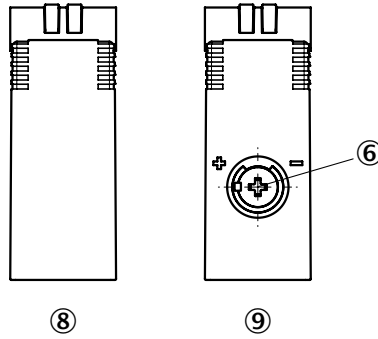
Adjustments

GSE10, DC



- ⑥ Sensing range adjustment
- ⑦ Light/dark selector
- ⑧ Sender
- ⑨ Receiver

GSE10, AC/DC

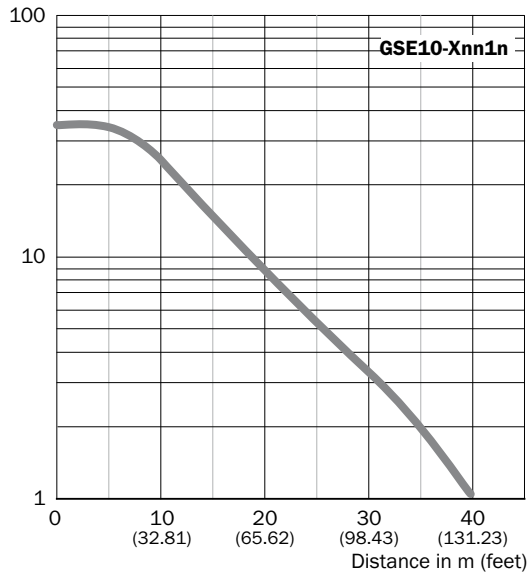


- ⑥ Sensing range adjustment
- ⑧ Sender/receiver
- ⑨ Receiver

Sensing range

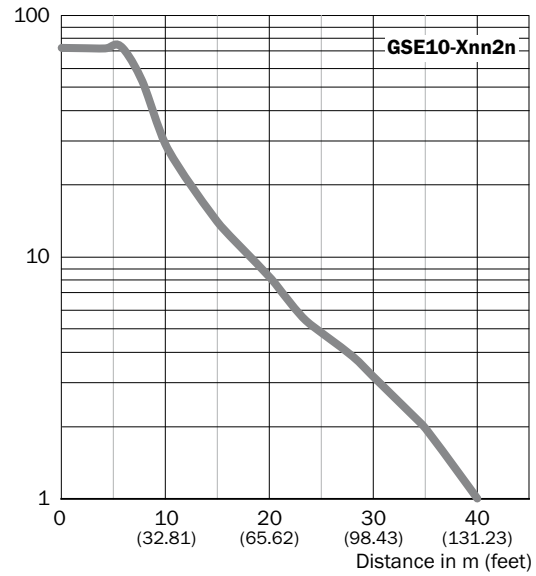
GSE10, red light

Operating reserve



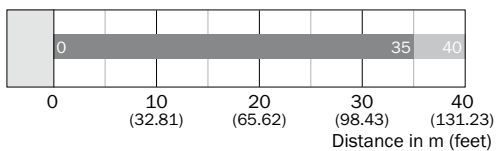
GSE10, infrared light

Operating reserve



Bar diagrams

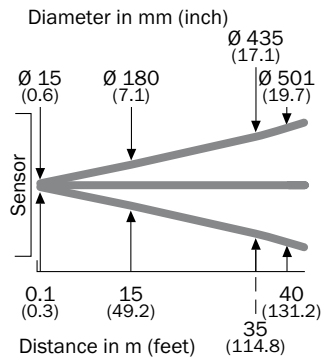
GSE10



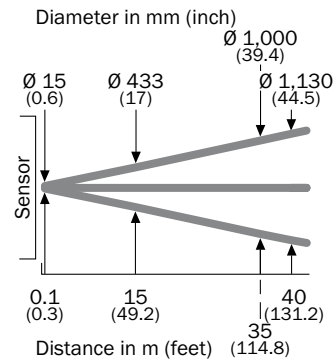
- Sensing range
- Sensing range max.

Light spot diameter

GSE10, red light

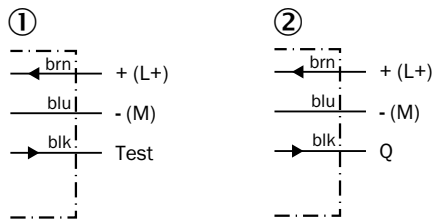


GSE10, infrared light



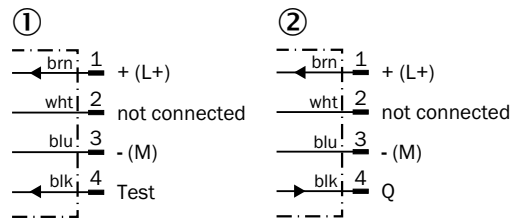
Connection diagram

Cd-061



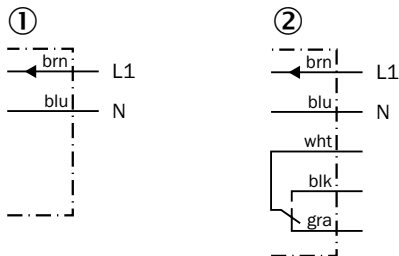
① Sender
② Receiver

Cd-073



① Sender
② Receiver

Cd-170





① Sender
② Receiver









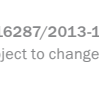
Accessories **G10**

Mounting brackets/plates

Mounting brackets



Figure	Description	Material	Model name	Part no.	GTx10 DC	GTx10 AC/DC	GL10 (G) DC	GL10 (G) AC/DC	GSE10 DC	GSE10 AC/DC
	Mounting bracket for wall and floor mounting for G10 DC	Steel, zinc coated	BEF-G10DC01	2071258	●	●	●	●	●	●
	Mounting bracket for wall and floor mounting for G10 AC/DC	Steel, zinc coated	BEF-G10UC01	2071259	●	●	●	●	●	●

Universal bar clamp systems

Figure	Description	Material	Model name	Part no.	GTx10 DC	GTx10 AC/DC	GL10 (G) DC	GL10 (G) AC/DC	GSE10 DC	GSE10 AC/DC
	Q-Lock, bar clamp system for G10 and reflector P250	Die-cast zinc, Steel, zinc coated	BEF-KHSQ12R01	2071260	●	●	●	●	●	●
	Q-Lock, bar clamp system for G10 and reflector P250, incl. sheet clamp		BEF-KHSQ12ZR01	2071262	●	●	●	●	●	●
	Mounting bar, straight, 200 mm	Steel, zinc coated	BEF-MS12G-A	4056054	●	●	●	●	●	●
	Mounting bar, straight, 300 mm	Steel, zinc coated	BEF-MS12G-B	4056055	●	●	●	●	●	●
	Mounting bar, L-shaped, 150 mm x 150 mm	Steel, zinc coated	BEF-MS12L-A	4056052	●	●	●	●	●	●
	Mounting bar, L-shaped, 250 x 250 mm	Steel, zinc coated	BEF-MS12L-B	4056053	●	●	●	●	●	●
	Mounting bar, Z-shaped, 150 mm x 70 mm x 150 mm	Steel, zinc coated	BEF-MS12Z-A	4056056	●	●	●	●	●	●
	Mounting bar, Z-shaped, 150 mm x 70 mm x 250 mm	Steel, zinc coated	BEF-MS12Z-B	4056057	●	●	●	●	●	●
	Bar clamp for bar diameter of 12 mm (fixing the mounting rod)	Aluminum	BEF-RMC-D12	5321878	●	●	●	●	●	●

Device protection (mechanical)






Protective housing/tubes

Figure	Description	Material	Model name	Part no.	GTx10 DC	GTx10 AC/DC	GL10 (G) DC	GL10 (G) AC/DC	GSE10 DC	GSE10 AC/DC
	Weather protection hood for G10	Steel, zinc coated	BEF-G10WSG	2071960	●	●	●	●	●	●
	Weather protection hood for reflectors PL80A, P250, PL40A	Steel, zinc coated	BEF-PL80AWSG	2071961	●	●	●	●	●	●


Reflectors

Angular

- **Description:** Rectangular, screw connection



Figure	Material	Dimensions	Model name	Part no.	GTx10 DC	GTx10 AC/DC	GL10 (G) DC	GL10 (G) AC/DC	GSE10 DC	GSE10 AC/DC
	PMMA/ABS	47 mm x 47 mm	P250	5304812	-	-	●	●	-	-
		38 mm x 15 mm	PL20A	1012719	-	-	●	●	-	-
		56 mm x 28 mm	PL30A	1002314	-	-	●	●	-	-
		37 mm x 56 mm	PL40A	1012720	-	-	●	●	-	-
		80 mm x 80 mm	PL80A	1003865	-	-	●	●	-	-

Round



Figure	Description	Material	Diameter	Model name	Part no.	GTx10 DC	GTx10 AC/DC	GL10 (G) DC	GL10 (G) AC/DC	GSE10 DC	GSE10 AC/DC
	Round, screw connection	PMMA/ABS	80 mm	C110A	5304549	-	-	●	●	-	-

Fine triple reflectors

Figure	Description	Material	Dimensions	Model name	Part no.	GTX10 DC	GTX10 AC/DC	GL10 (G) DC	GL10 (G) AC/DC	GSE10 DC	GSE10 AC/DC
	Fine triple, screw connection, suitable for laser sensors	PMMA/ABS	47 mm x 47 mm	P250F	5308843	-	-	●	●	-	-
			18 mm x 18 mm	PL10F	5311210	-	-	●	●	-	-
	Fine triple, chemically resistant, screw connection	Plastic	18 mm x 18 mm	PL10F CHEM	5321636	-	-	●	●	-	-
	Fine triple, screw connection, suitable for laser sensors	PMMA/ABS	38 mm x 16 mm	PL20F	5308844	-	-	●	●	-	-
	Fine triple, chemically resistant, screw connection, suitable for laser sensors	Plastic	16 mm x 38 mm	PL20F-CHEM	5326089	-	-	●	●	-	-

Figure	Description	Material	Dimensions	Model name	Part no.	GTX10 DC	GTX10 AC/DC	GL10 (G) DC	GL10 (G) AC/DC	GSE10 DC	GSE10 AC/DC
	Fine triple, screw connection, suitable for laser sensors	PMMA/ABS	56 mm x 28 mm	PL30F	5326523	-	-	●	●	-	-
			76 mm x 45 mm	PL81-1F	5325060	-	-	●	●	-	-

Reflective tape

Figure	Description	Dimensions	Model name	Part no.	GTX10 DC	GTX10 AC/DC	GL10 (G) DC	GL10 (G) AC/DC	GSE10 DC	GSE10 AC/DC
	Suitable for laser sensors, self-adhesive, cut, see alignment note	56.3 mm x 56.3 mm	REF-AC1000-56	4063030	-	-	●	●	-	-
	Self-adhesive	50 mm x 60 mm	REF-IRF-56	5314244	-	-	●	●	-	-

Plug connectors and cables

Connecting cable (female connector-open) M12, 4-pin, PVC

- **Enclosure rating:** IP 67





Figure	Connection type head A	Connection type head B	Cable length	Model name	Part no.	GTX10 DC	GTX10 AC/DC	GL10 (G) DC	GL10 (G) AC/DC	GSE10 DC	GSE10 AC/DC
	Female connector, M12, 4-pin, straight	Cable	2 m	DOL-1204-G02M	6009382	●	-	●	-	●	-
			5 m	DOL-1204-G05M	6009866	●	-	●	-	●	-
			10 m	DOL-1204-G10M	6010543	●	-	●	-	●	-
			15 m	DOL-1204-G15M	6010753	●	-	●	-	●	-
			20 m	DOL-1204-G20M	6034401	●	-	●	-	●	-

Figure	Connection type head A	Connection type head B	Cable length	Model name	Part no.	GTx10 DC	GTx10 AC/DC	GL10 (G) DC	GL10 (G) AC/DC	GSE10 DC	GSE10 AC/DC
	Female connector, M12, 4-pin, angled	Cable	2 m	DOL-1204-W02M	6009383	●	-	●	-	●	-
			5 m	DOL-1204-W05M	6009867	●	-	●	-	●	-
			10 m	DOL-1204-W10M	6010541	●	-	●	-	●	-
			15 m	DOL-1204-W15M	6036474	●	-	●	-	●	-
			20 m	DOL-1204-W20M	6033559	●	-	●	-	●	-



Female connector (ready to assemble) M12, 4-pin

- **Enclosure rating:** IP 67

Figure	Connection type head A	Connection type head B	Model name	Part no.	GTx10 DC	GTx10 AC/DC	GL10 (G) DC	GL10 (G) AC/DC	GSE10 DC	GSE10 AC/DC
	Female connector, M12, 4-pin, straight	-	DOS-1204-G	6007302	●	-	●	-	●	-
	Female connector, M12, 4-pin, angled	-	DOS-1204-W	6007303	●	-	●	-	●	-

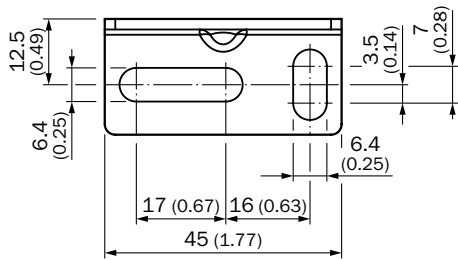
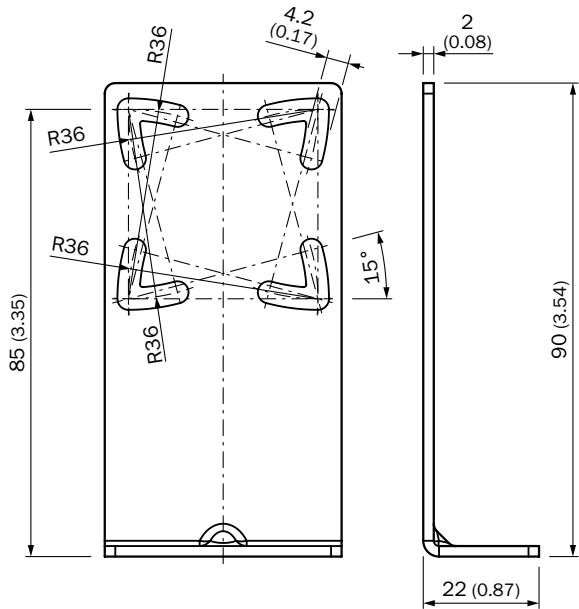
Male connector (ready to assemble) M12, 4-pin

- **Enclosure rating:** IP 67

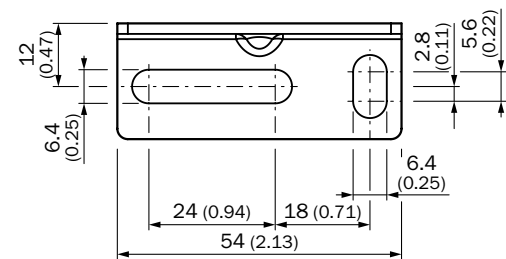
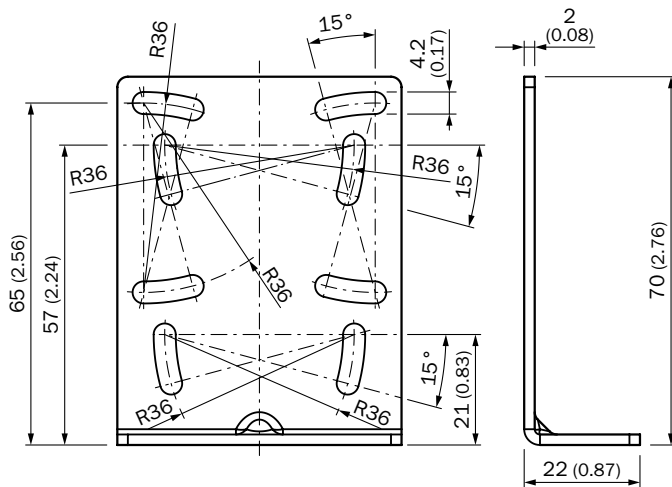
Figure	Connection type head A	Connection type head B	Model name	Part no.	GTx10 DC	GTx10 AC/DC	GL10 (G) DC	GL10 (G) AC/DC	GSE10 DC	GSE10 AC/DC
	Male connector, M12, 4-pin, straight	-	STE-1204-G	6009932	●	-	●	-	●	-
	Male connector, M12, 4-pin, angled	-	STE-1204-W	6022084	●	-	●	-	●	-

Dimensional drawings Mounting brackets/plates

BEF-G10DC01

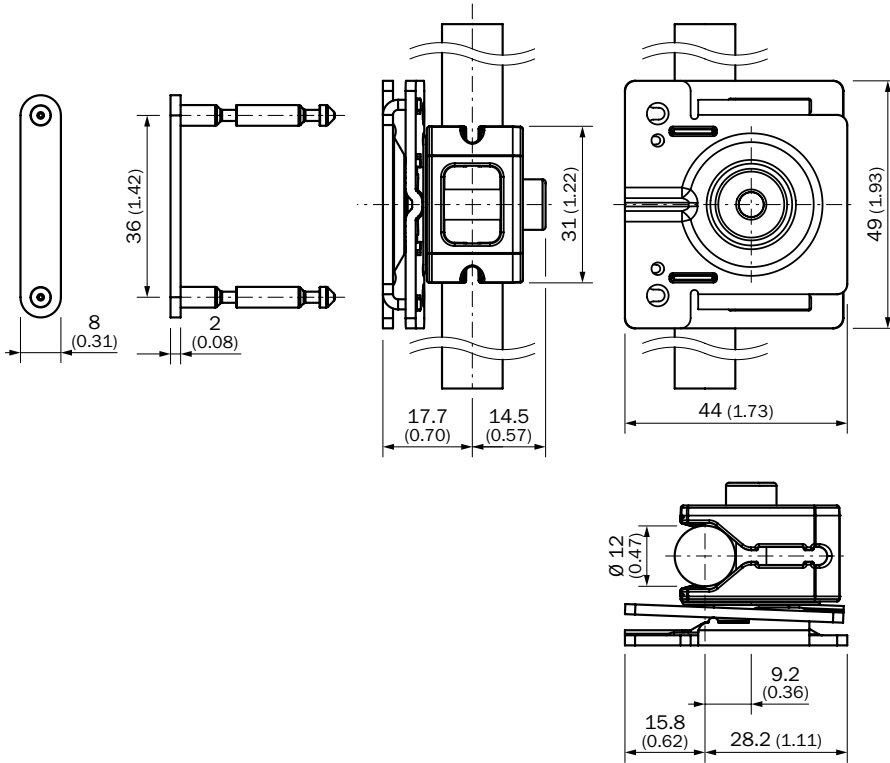


BEF-G10UC01

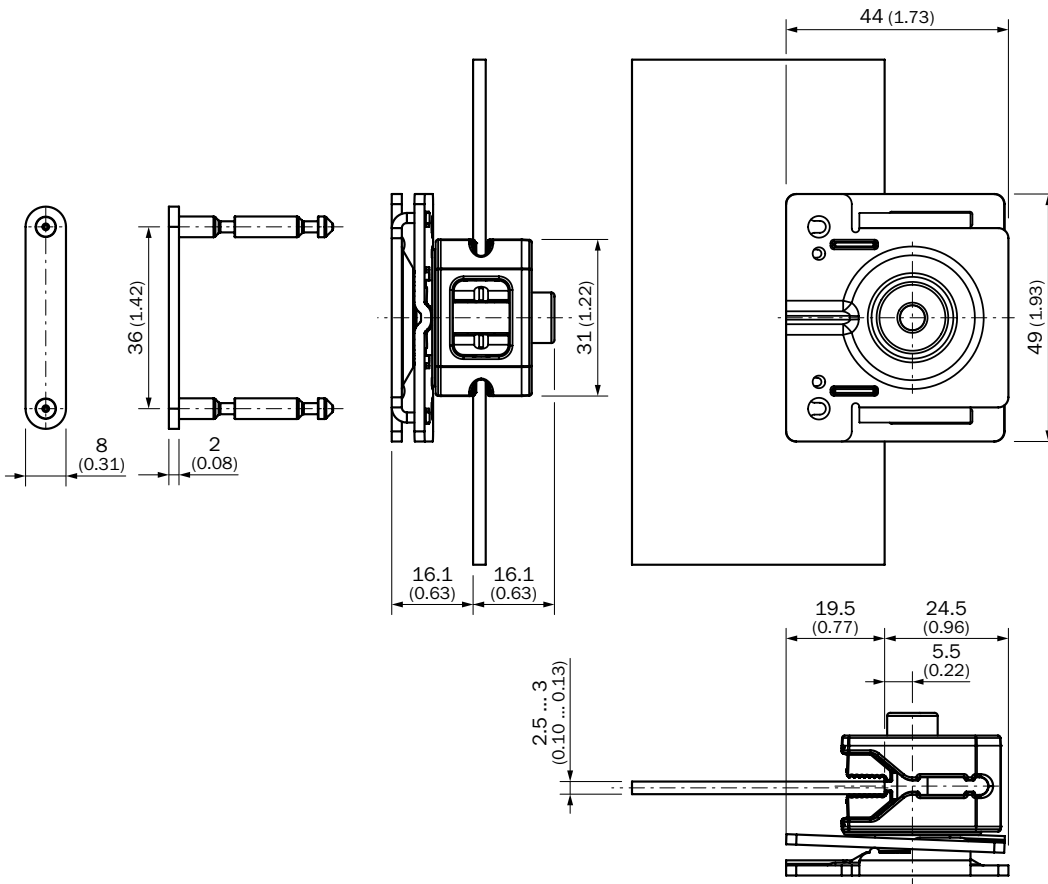


Dimensional drawings Universal bar clamp systems

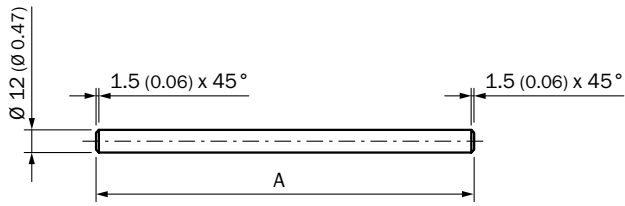
BEF-KHSQ12R01



BEF-KHSQ12ZR01

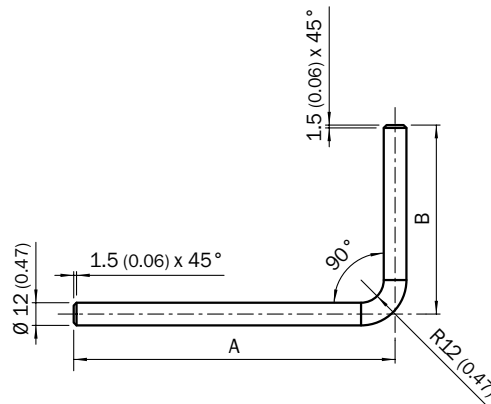


BEF-MS12G-A
BEF-MS12G-B



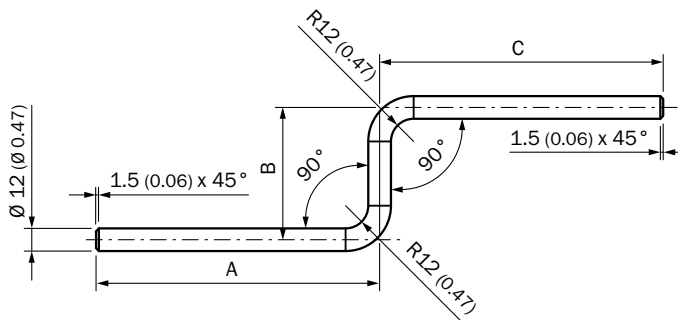
BEF-MS12G-(N)A: A = 200 mm
BEF-MS12G-(N)B: A = 300 mm

BEF-MS12L-A
BEF-MS12L-B



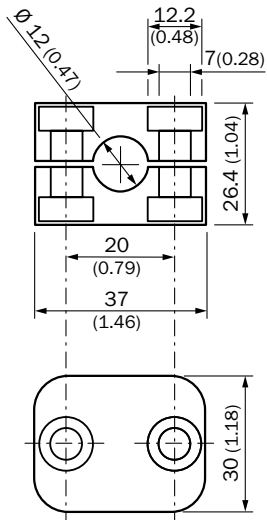
BEF-MS12L-(N)A: A = 200 mm, B = 150 mm
BEF-MS12L-(N)B: A = 250 mm, B = 250 mm

BEF-MS12Z-A
BEF-MS12Z-B



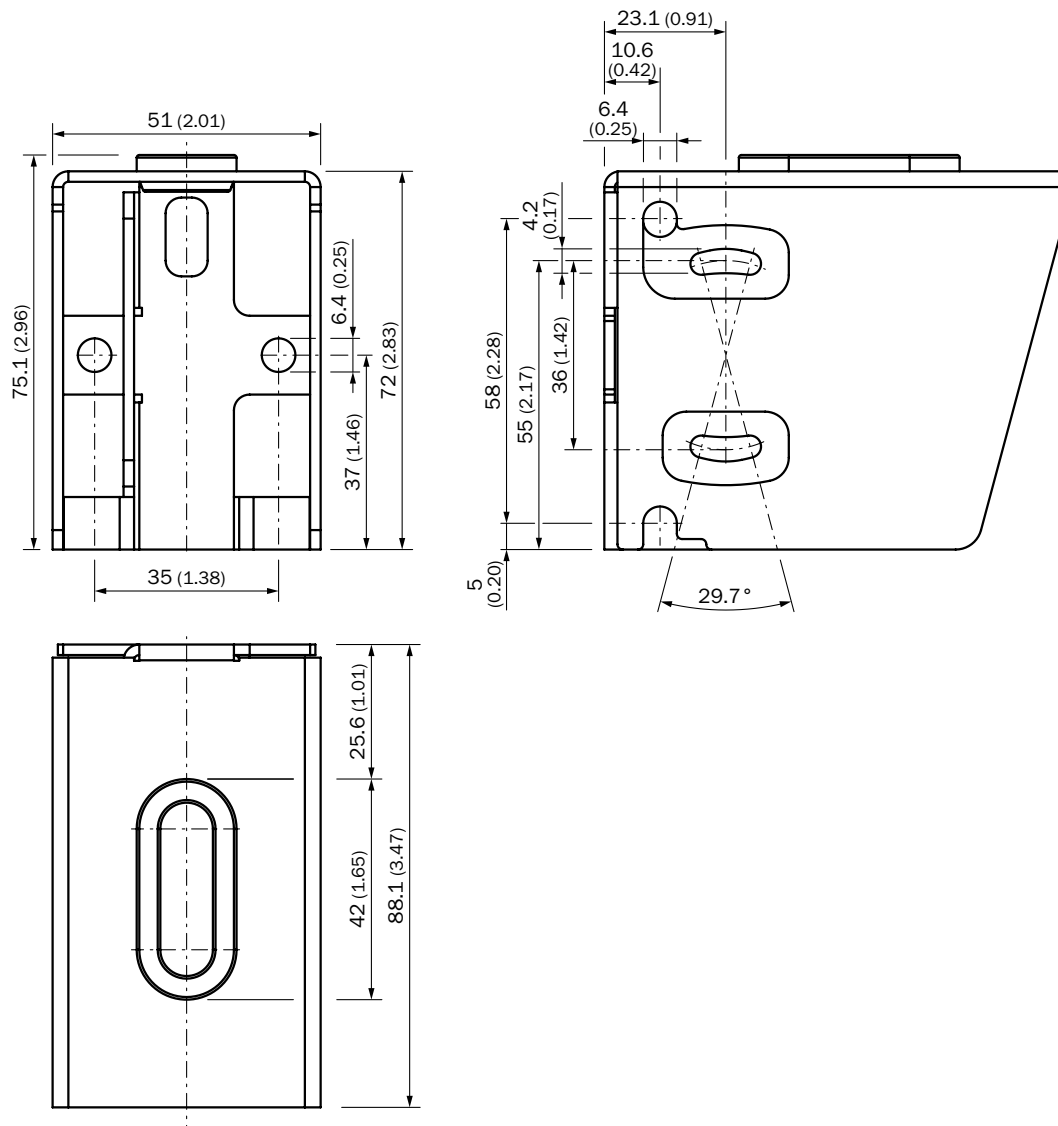
BEF-MS12Z-(N)A: A = 150 mm, B = 70 mm, C = 150 mm
BEF-MS12Z-(N)B: A = 150 mm, B = 70 mm, C = 250 mm

BEF-RMC-D12

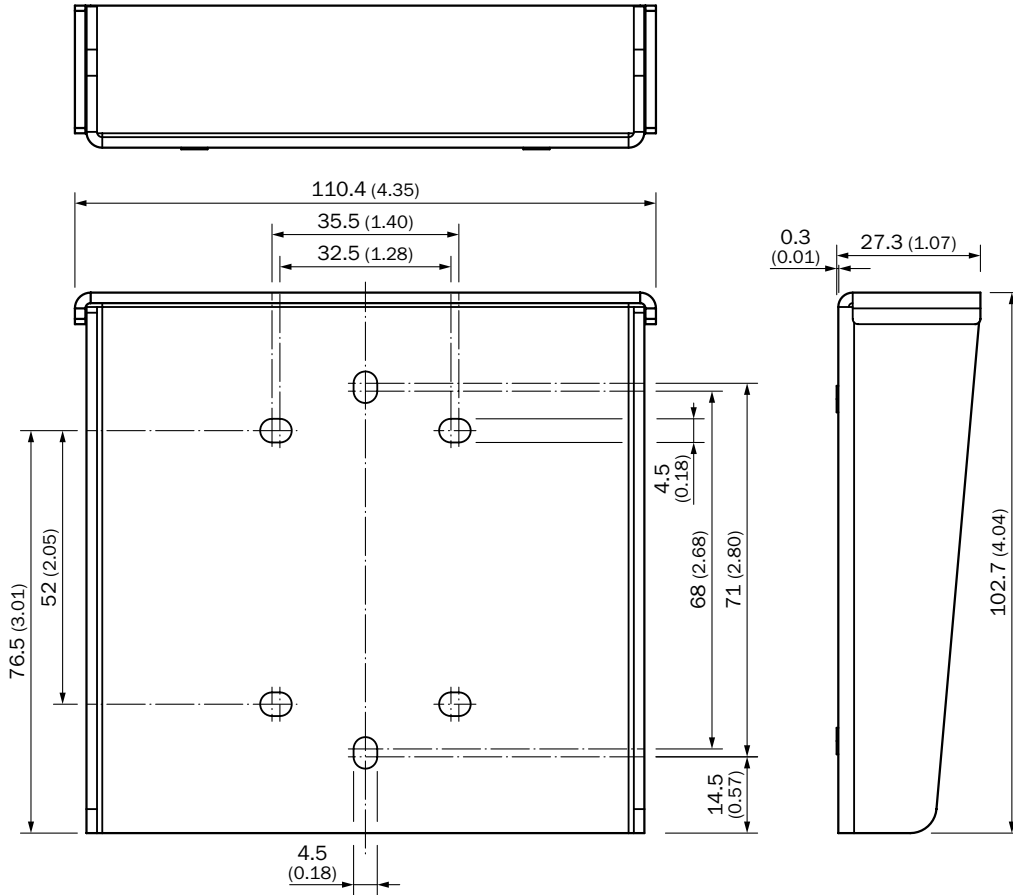


Dimensional drawings Device protection (mechanical)

BEF-G10WSG

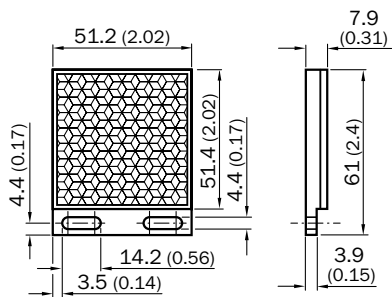


BEF-PL80AWSG

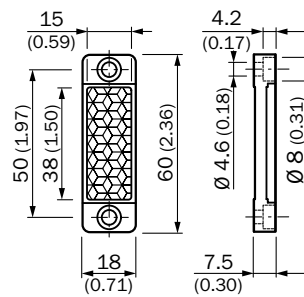


Dimensional drawings Reflectors

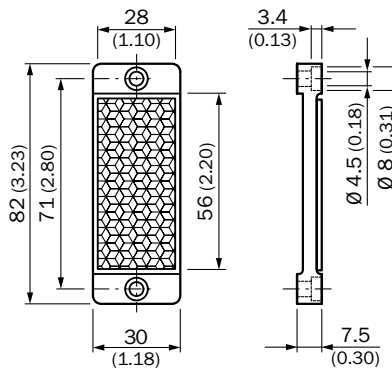
P250



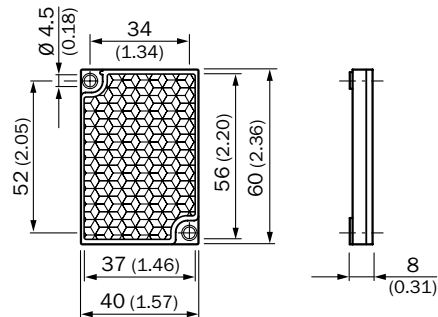
PL20A



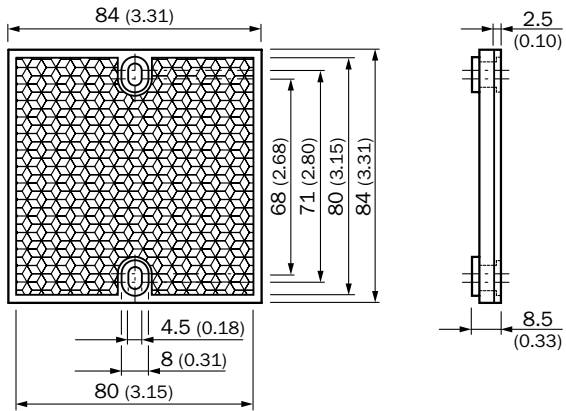
PL30A



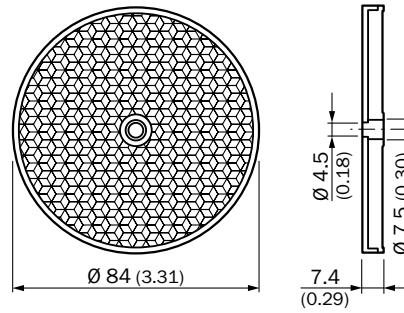
PL40A



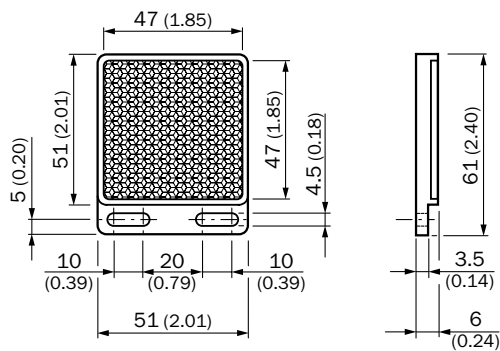
PL80A



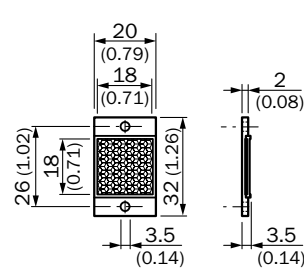
C110A



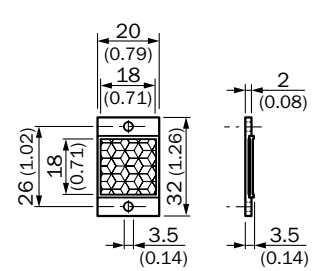
P250F



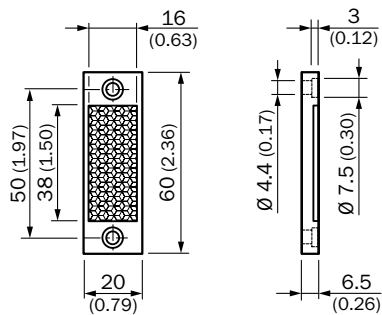
PL10F



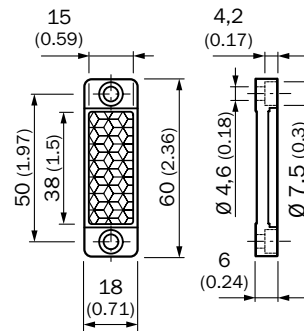
PL10F CHEM



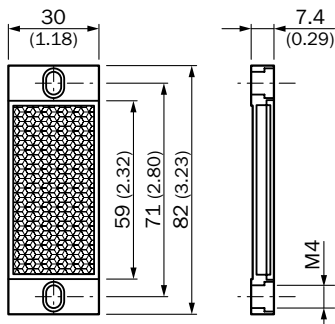
PL20F



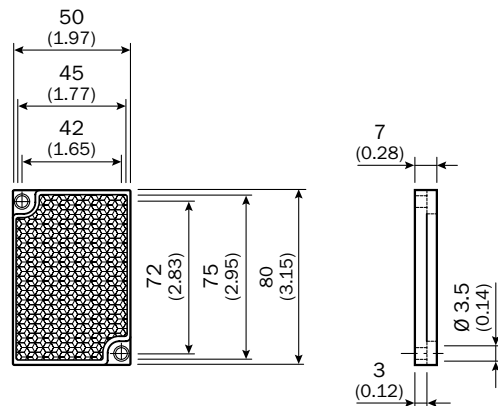
PL20F-CHEM



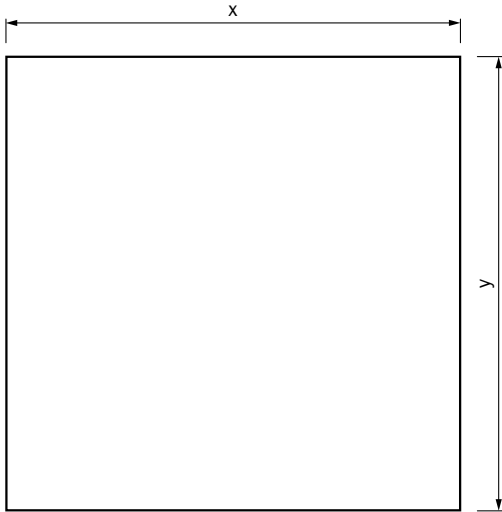
PL30F



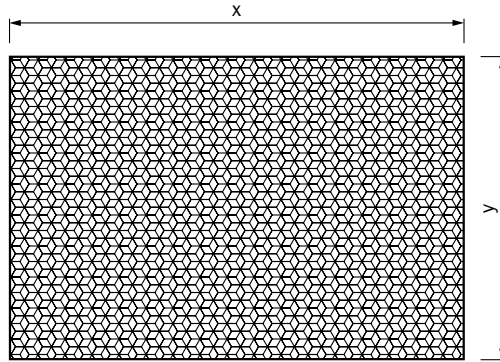
PL81-1F



REF-AC1000-56



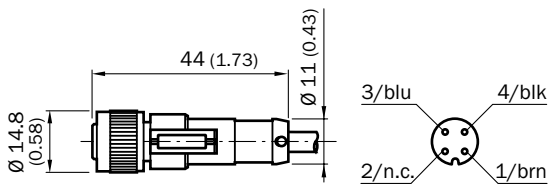
REF-IRF-56



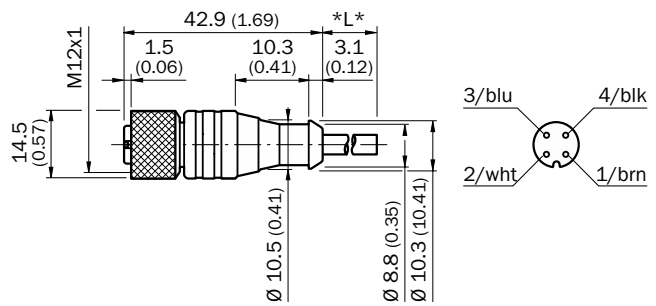
- ① X = 50 mm
- ② Y = 60 mm

Dimensional drawings Plug connectors and cables

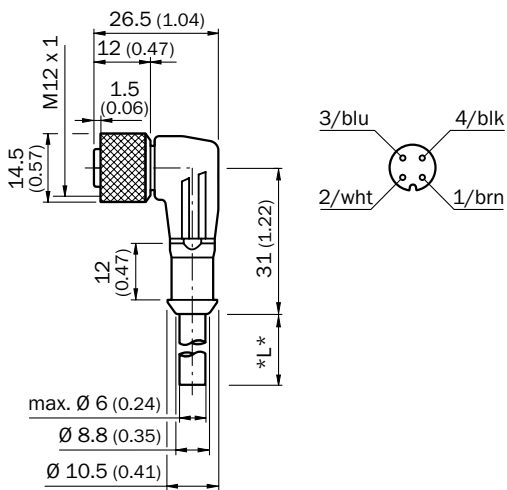
DOL-1204-GxxM



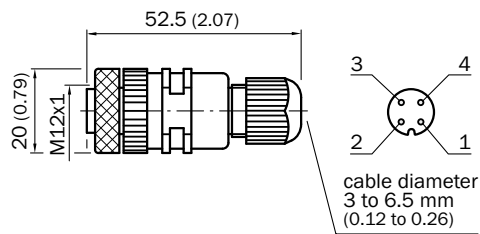
DOL-1204-G20M



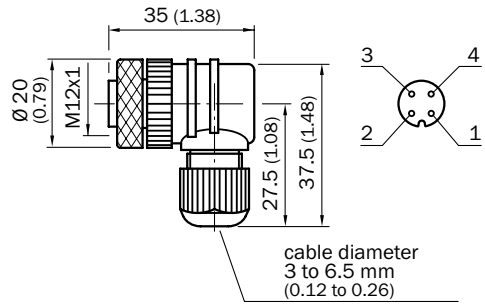
DOL-1204-WxxM



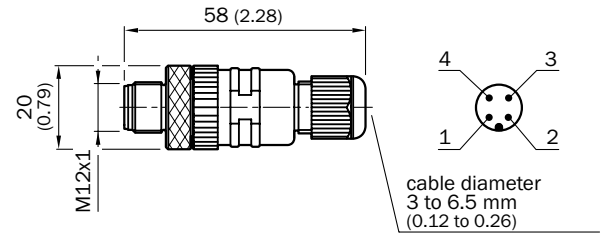
DOS-1204-G



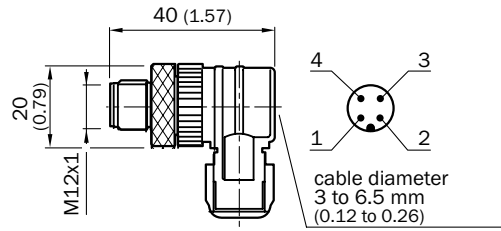
DOS-1204-W



STE-1204-G

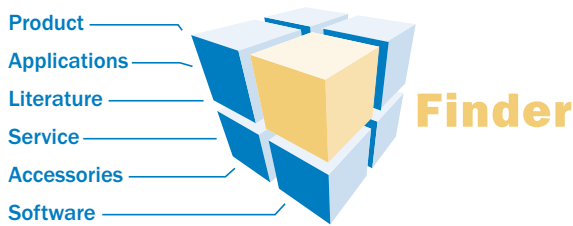


STE-1204-W



WWW.MYSICK.COM – SEARCH ONLINE AND ORDER

Search online quickly and safely - with the SICK "Finders"

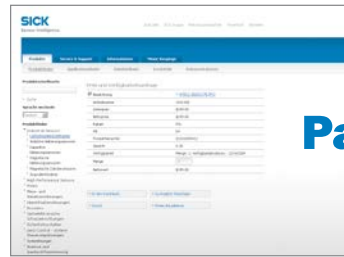


Product Finder: We can help you to quickly target the product that best matches your application.

Applications Finder: Select the application description on the basis of the challenge posed, industrial sector, or product group.

Literature Finder: Go directly to the operating instructions, technical information, and other literature on all aspects of SICK products.

Efficiency – with the E-Commerce-Tools from SICK



Partner Portal
www.mysick.com

Find out prices and availability

Determine the price and possible delivery date of your desired product simply and quickly at any time.

Request or view a quote

You can have a quote generated online here. Every quote is confirmed to you via e-mail.

Order online

You can go through the ordering process in just a few steps.

FOR SAFETY AND PRODUCTIVITY: SICK LIFETIME SERVICES

SICK LifeTime Services is a comprehensive set of high-quality services provided to support the entire life cycle of products and applications from system design all the way to upgrades. These services increase the safety of people, boost the productivity of machines and serve as the basis for our customers' sustainable business success.



Consulting & Design

Globally available experts for cost-effective solutions



Product & System Support

Fast and reliable, by telephone or on location



Verification & Optimization

Checks and recommendations for increased availability



Upgrade & Retrofits

Uncovers new potential for machines and systems



Training & Education

Employee qualification for increased competitiveness

SICK AT A GLANCE

SICK is a leading manufacturer of intelligent sensors and sensor solutions for factory, logistics, and process automation. With more than 6,000 employees and over 40 subsidiaries worldwide, we are always close our customers. A unique range of products and services creates the perfect basis for controlling processes securely and efficiently, protecting individuals from accidents and preventing damage to the environment.

We have extensive experience in various industries and understand their processes and requirements. With intelligent sensors, we can deliver exactly what our customers need. In application centers in Europe, Asia and North America, system solutions are tested and optimized in accordance with customer specifications. All this makes us a reliable supplier and development partner.

Comprehensive services round out our offering: SICK LifeTime Services provide support throughout the machine life cycle and ensure safety and productivity.

For us, that is “Sensor Intelligence.”

Worldwide presence:

Australia, Belgium/Luxembourg, Brasil, Česká Republika, Canada, China, Danmark, Deutschland, España, France, Great Britain, India, Israel, Italia, Japan, México, Nederland, Norge, Österreich, Polska, România, Russia, Schweiz, Singapore, Slovenija, South Africa, South Korea, Suomi, Sverige, Taiwan, Türkiye, United Arab Emirates, USA.

Please find detailed addresses and additional representatives and agencies in all major industrial nations at: www.sick.com