




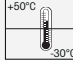



Award winning design Winner of the IF product design award 2012

- Maintenance-free, electronic horn with long life duration of up to 5,000 hrs
- Sound output can be set to meet the requirements of the application
- Wear-free, intense rotating signal effect with low power consumption
- Optical and audible warning can be separately triggered for two stage signalling
- Integrated bracket for simple wall mounting without additional accessories

i TECHNICAL SPECIFICATIONS: Life duration up to 50,000 hrs (LED)

Dimensions (Ø x Height):	134 mm x 407 mm
Housing:	PC/ABS-Blend, grey
Lens:	PC, transparent
Fixing:	Wall mounting, integrated mounting bracket
Installation position:	Sound outlet facing downwards
Connection:	Screw terminal with wire protection max. 1.5 mm ²
Cable entry:	Cable diameter max. 11 mm
Tone frequency:	C. 110 Hz
Life duration:	Up to 50,000 hrs (LED), up to 5,000 hrs (Horn)

ORDER SPECIFICATIONS:

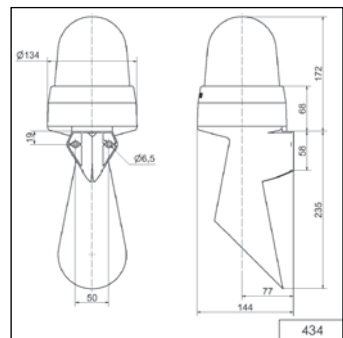
Voltage	24V AC/DC	10-48V AC/DC*	115-230V AC*
Current consumption Horn	55 mA	250 mA	25 mA
Current consumption LED	190 mA	450 mA	47 mA
	150 mA (red)	320 mA (red)	65 mA (red)
red	435 110 75	435 110 70	435 110 60
green	435 210 75	435 210 70	435 210 60
yellow	435 310 75	435 310 70	435 310 60
clear	435 410 75	435 410 70	435 410 60
blue	435 510 75	435 510 70	435 510 60

* Current consumption at 10 V / 115 V



Quick and simple wall mounting without additional accessories thanks to integrated mounting bracket

TECHNICAL DIAGRAM:



Intense rotating signal effect thanks to long-life, wear-free LED technology