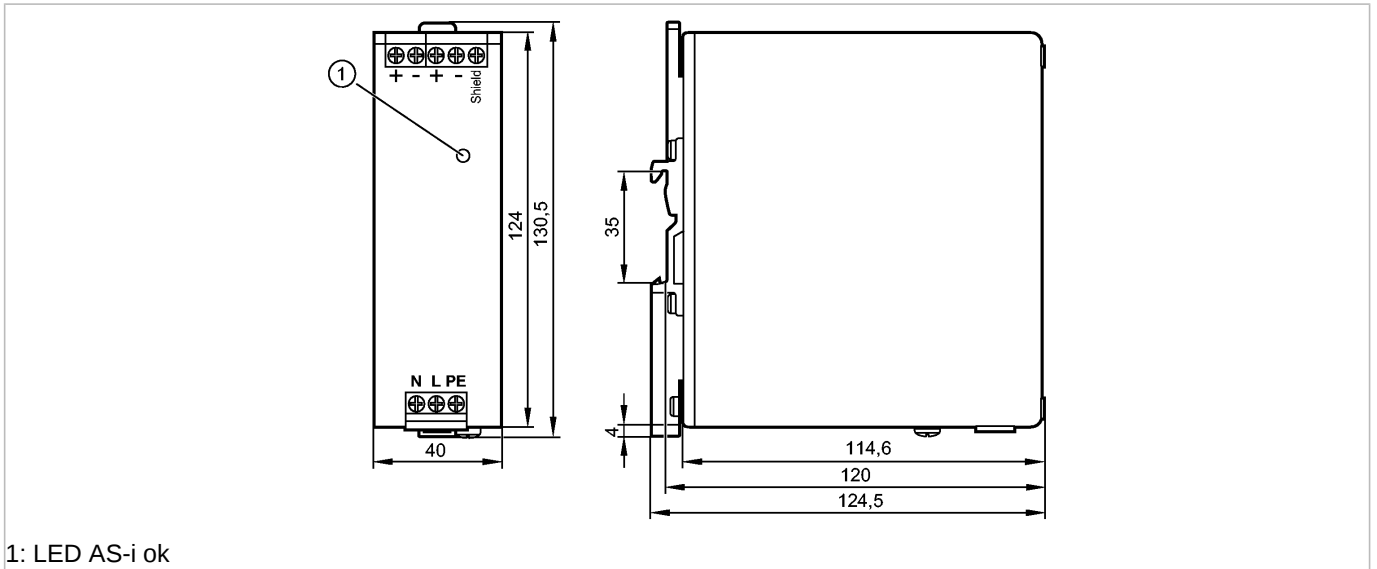


**AC1254**

PSU-1AC/ASi-4A

Bus system AS-Interface



1: LED AS-i ok



**Product characteristics**

Power supply

AS-i power supply 115/230 V AC

Integrated data decoupling

**Application**

Application

AS-i system voltage for masters, sensors, actuators and modules

**Electrical data**

Input voltage range	[V]	100...120 AC / 200...240 AC; ± 10 %; automatic range selection
Nominal voltage	[V]	115 / 230 AC
Frequency range	[Hz]	47...64
Nominal frequency	[Hz]	50 / 60
Output voltage (AS-i)	[V]	30.5 DC
Output power	[W]	122
Output power peak	[W]	134; briefly to load bus capacities after power on
Power factor		0.56 (120 V AC; 60 Hz) / 0.47 (230 V AC; 50 Hz)
Power reserve	[%]	10
Output current (AS-i)	[A]	4
Residual ripple	[mVpp]	< 50
Switch-on peak current	[A]	3 (120 V AC; 60 Hz) / 3 (230 V AC; 50 Hz)
Inrush current limitation		yes
Efficiency	[%]	88 (120 V AC; 60 Hz) / 89.3 (230 V AC; 50 Hz)
Short-circuit proof		yes
Overload protection		yes
Overload performance		constant output current
Overvoltage protection	[V]	< 36
Excess temperature protection		yes
External input protection		≤ B-10 A / ≤ C-6 A
Power-on delay time	[ms]	≤ 900
Derating	[W/K]	3 (60...70 °C)
Mains buffering time	[ms]	70 (120 V AC; 60 Hz) / 70 (230 V AC; 50 Hz)

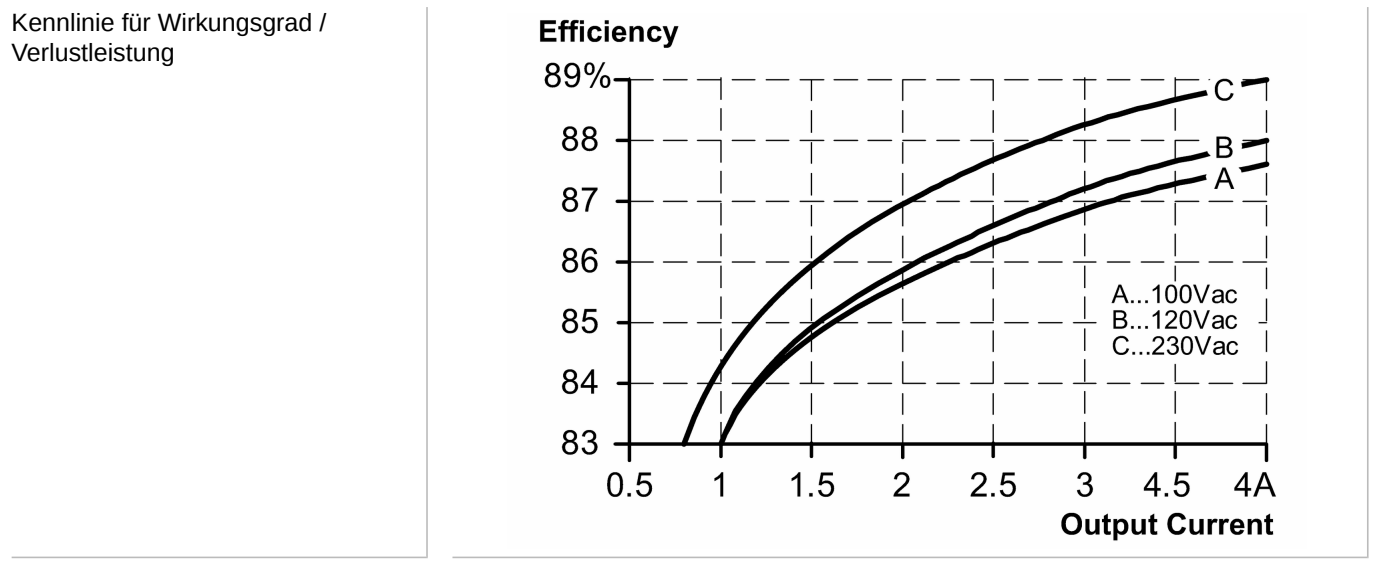
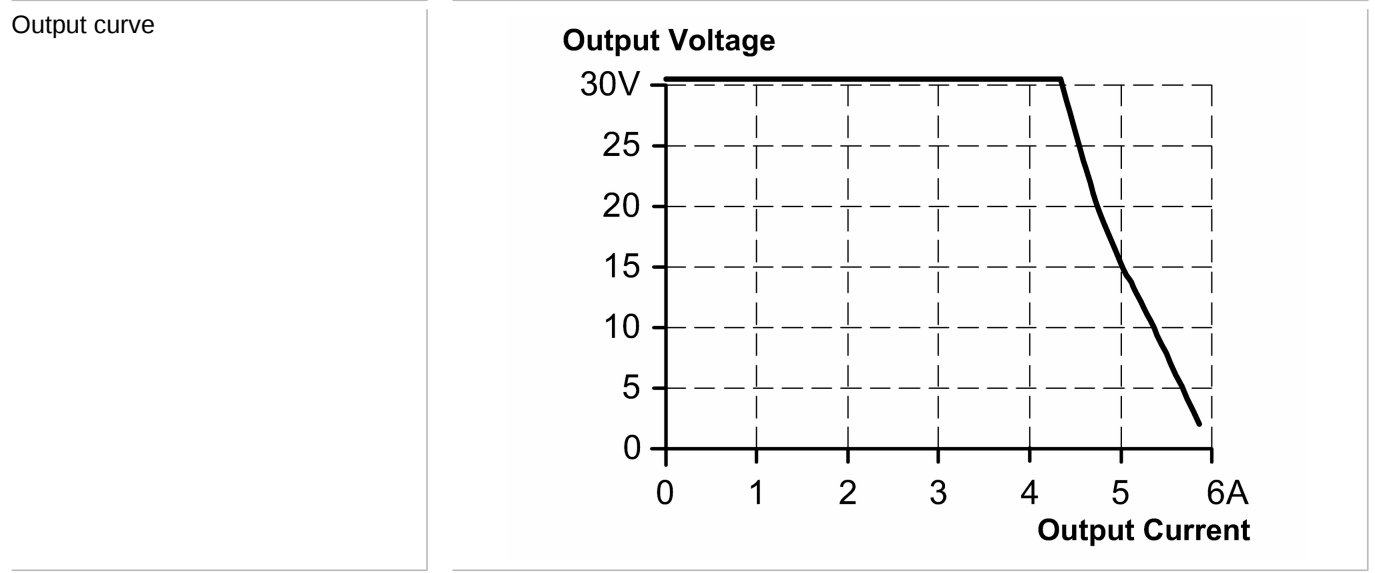
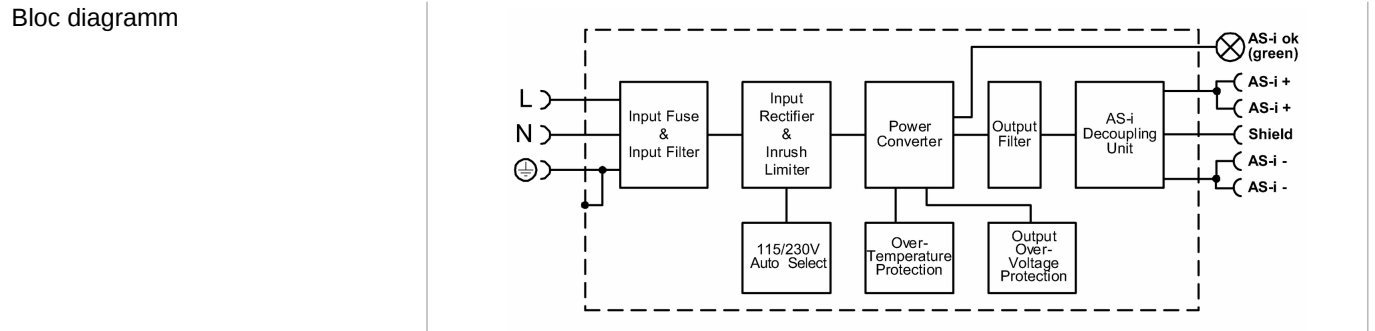


**AC1254**

PSU-1AC/ASi-4A

Bus system AS-Interface

Protection class		I
Input current [A]	[A]	2.05 (120 V AC; 60 Hz) / 1.23 (230 V AC; 50 Hz)
Power loss [W]	[W]	16.6 (120 V AC; 60 Hz) / 14.6 (230 V AC; 50 Hz)
Back feeding protection	[V]	≤ 35 DC





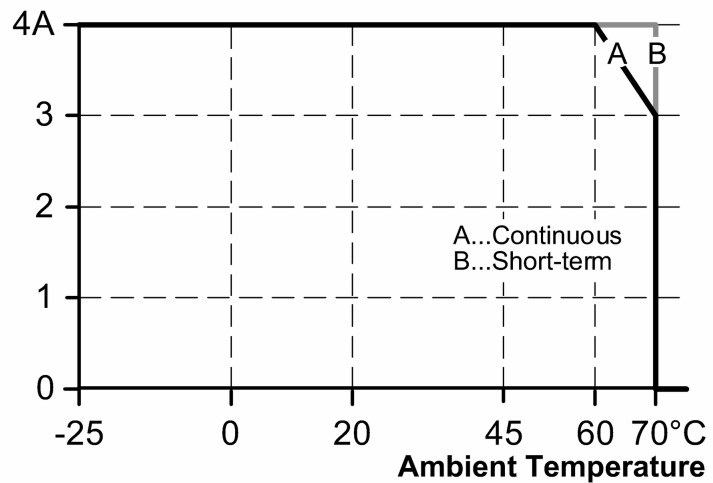
## AC1254

PSU-1AC/ASi-4A

Bus system AS-Interface

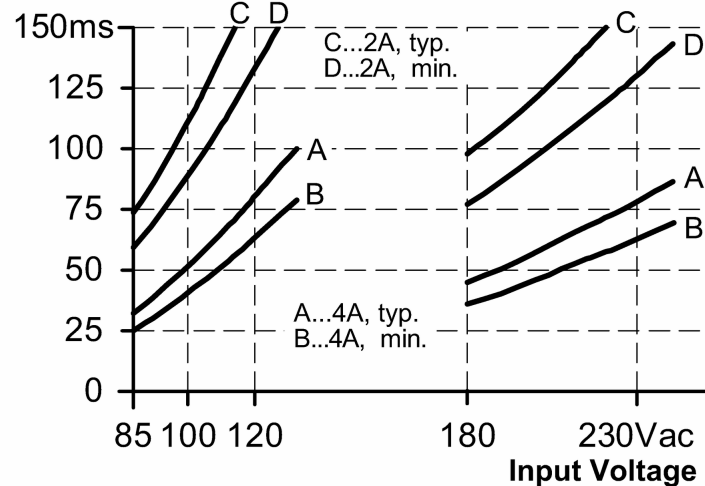
Kennlinie für Derating

**Allowed Output Current**



Kennlinie für Netzausfallüberbrückungszeit

**Hold-up Time**



### Outputs

Parallel connection of outputs

no

Series connection of outputs

no

### Environment

Ambient temperature

[°C]

-25...70, observe the free space for convection (see operating instructions)

Storage temperature

[°C]

-40...85

Max. relative air humidity

[%]

5...95, (IEC 60068-2-30)

Protection

IP 20

degree of soiling

2; (IEC 62103) conductive soiling not permitted

### Tests / approvals

EMC

EN 61000-6-1  
EN 61000-6-2  
EN 61000-6-4

UL

UL 508 (Industrial Control Equipment)

Shock resistance

IEC 60068-2-27

30 g (6 ms) / 20 g (11 ms)

Vibration resistance

IEC 60068-2-6

± 1.6 mm (2...25 Hz) / 2 g  
(17.8...500 Hz)

MTBF [h]

789000

### AS-i classification



## AC1254

PSU-1AC/ASi-4A

Bus system AS-Interface

AS-i certificate	98601
------------------	-------

### Mechanical data

Housing materials	steel sheet
Installation	rail TH35 (to EN 60715)
Weight [kg]	0.615

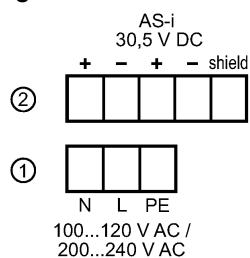
### Displays / operating elements

Function display	LED	green (indication AS-i voltage)
------------------	-----	---------------------------------

### Electrical connection

Connection	screw terminals
------------	-----------------

### Wiring



1: primary

2: secondary

### Remarks

Pack quantity	[piece]	1
---------------	---------	---