



## Selector switch, 1N/O, 2 positions, front mount



Powering Business Worldwide™

**Part no.** M22-WRK/K10  
**Article no.** 216518

**Catalog No.** M22-WRK-K10Q

### Delivery programme

Product range

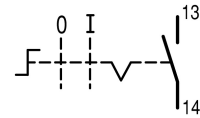
Basic function  
Single unit/Complete unit  
Description

Function  
Function  
Contacts  
N/O = Normally open  
Contact sequence

Front ring  
Connection to SmartWire-DT

RMQ-Titan (drilling dimensions 22.5 mm)  
Selector switch actuators  
Complete unit  
Thumb-grip colour black  
Stay-put/spring-return function, can be changed with coding parts M22-XC-Y  
2 positions, maintained  
Stay-put

1 N/O



Bezel: Silver  
no

#### Notes

Switch positions 0, I and II correspond with the position of the actuator as viewed from the front.

### Approvals

Product Standards  
UL File No.  
UL Category Control No.  
CSA File No.  
CSA Class No.  
North America Certification  
Degree of Protection

IEC/EN 60947-5; UL 508; CSA-C22.2 No. 14-05; CSA-C22.2 No. 94-91; CE marking  
E29184  
NKCR  
012528  
3211-03  
UL listed, CSA certified  
UL/CSA Type 3R, 4X, 12, 13

### General

Standards

Lifespan, mechanical

Operating frequency

Operating torque (screw terminals)

Protection type

Climatic proofing

Ambient temperature

Open

Mounting position

Mechanical shock resistance

		IEC/EN 60947 VDE 0660
Operations	x 10 <sup>6</sup>	> 0.1
Operations/h		2000
	Nm	0.3
		IP66
		Damp heat, constant, to IEC 60068-2-78 Damp heat, cyclic, to IEC 60068-2-30
	°C	
	°C	- 25 - + 70
		As required
	g	30 Shock duration 11 ms Sinusoidal according to IEC 60068-2-27

### Technical data ETIM 5.0

Low-voltage industrial components (EG000017) / Selector switch, complete (EC001029)  
Electric engineering, automation, process control engineering / Low-voltage switch technology / Command and alarm device / Selector switch, complete unit  
(eci@ss8-27-37-12-43 [ACN984007])

Number of switch positions

Type of control element

Suitable for illumination

With lamp

Colour button

Hole diameter

Width opening

Height meter opening

Switching function latching

Spring-return

Degree of protection (IP)

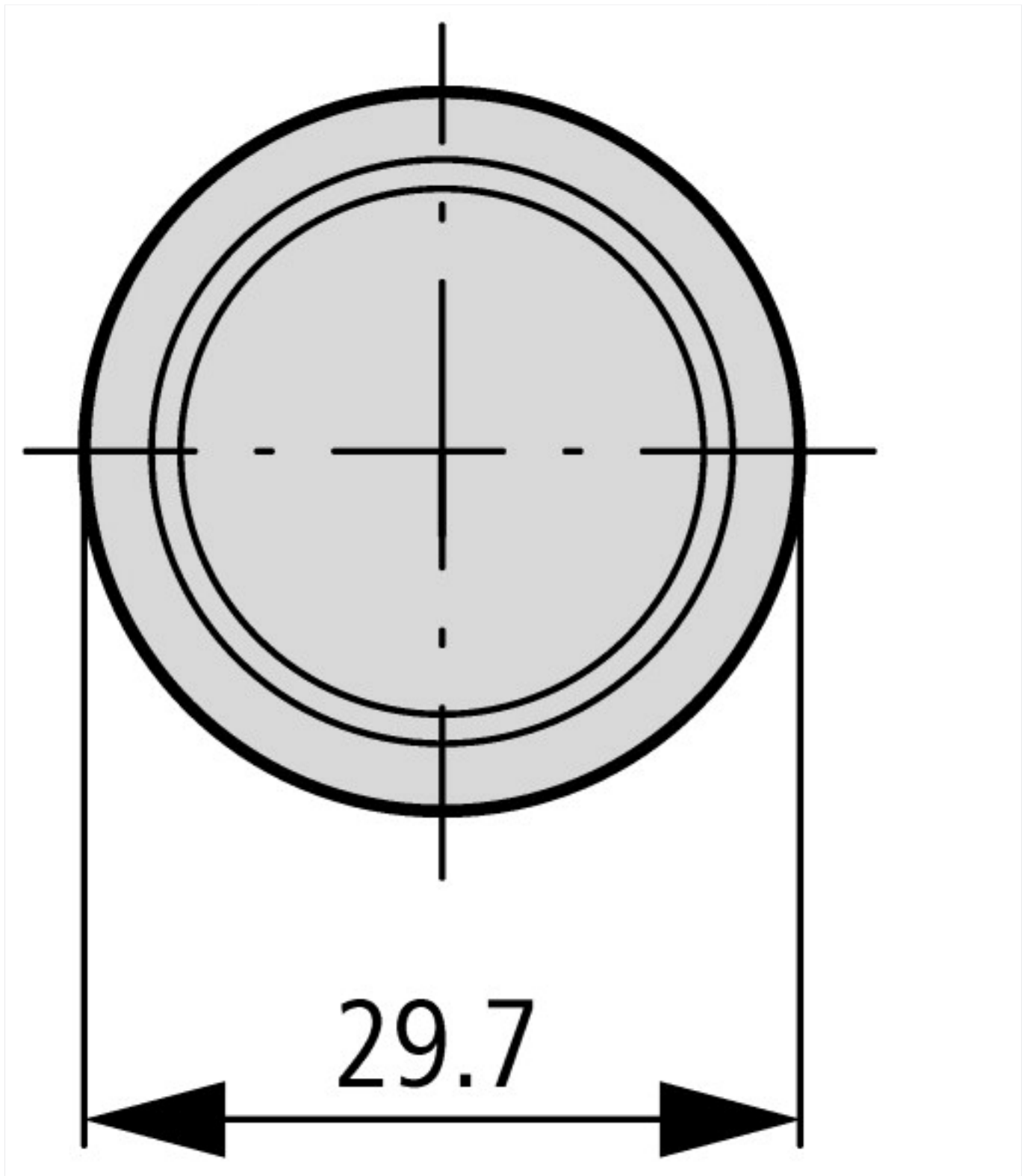
Supply voltage

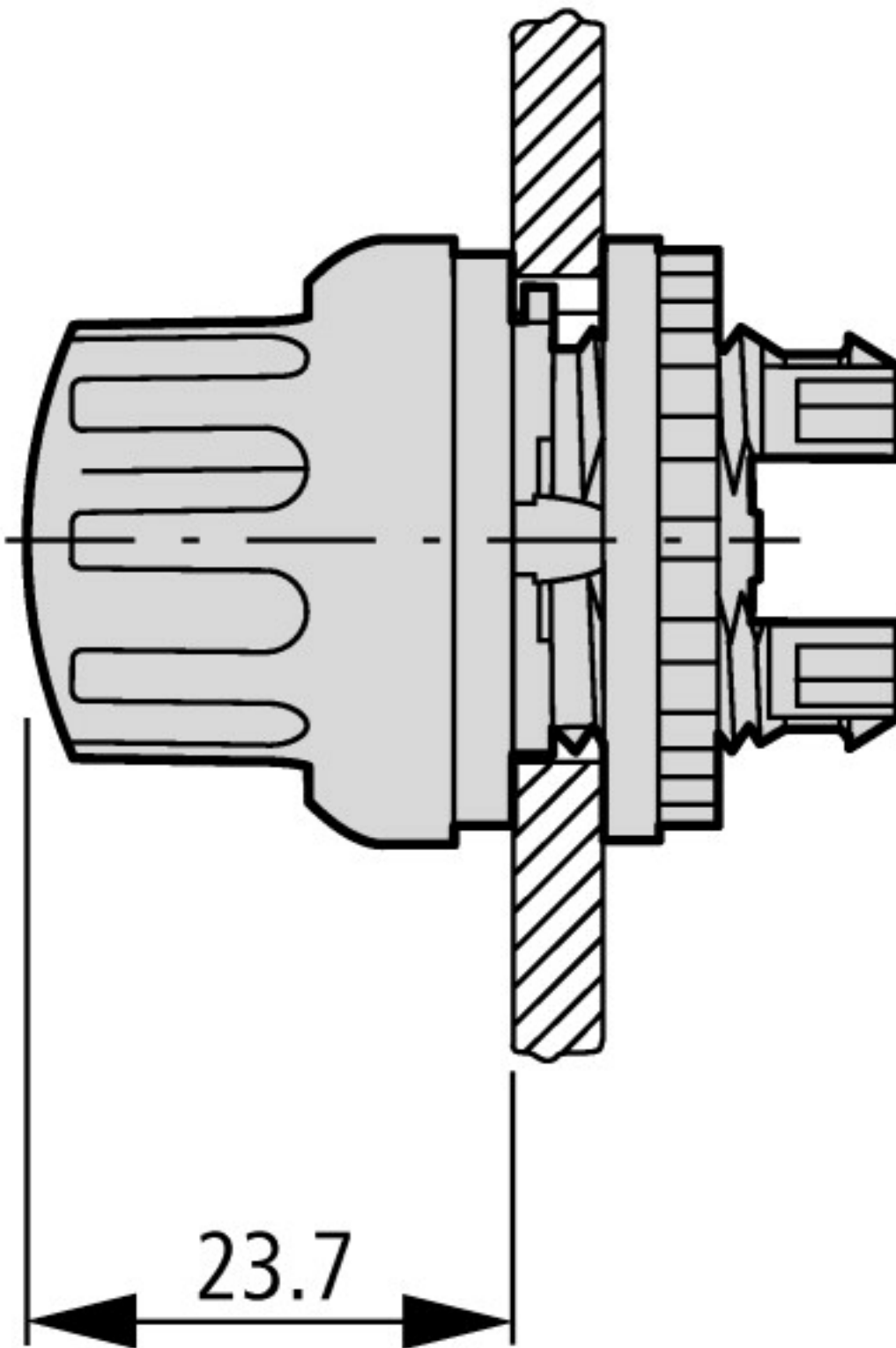
2  
Toggle  
No  
No  
Black  
22  
0  
0  
Yes  
No  
IP66  
0 - 0

Number of contacts as normally open contact  
Number of contacts as normally closed contact  
Number of contacts as change-over contact  
Type of electric connection  
With front ring  
Material front ring  
Colour front ring

1  
0  
0  
Screw connection  
Yes  
Plastic  
Chrome

### Dimensions





**Additional product information (links)**

IL04716002Z (AWA1160-1745) RMQ-Titan System

IL04716002Z (AWA1160-1745) RMQ-Titan System

[ftp://ftp.moeller.net/DOCUMENTATION/AWA\\_INSTRUCTIONS/IL04716002Z2013\\_08.pdf](ftp://ftp.moeller.net/DOCUMENTATION/AWA_INSTRUCTIONS/IL04716002Z2013_08.pdf)