



Emergency-stop key-release mushroom, 1 N/C, front mount



Powering Business Worldwide™

Part no. M22-PV/K01
Article no. 216515

Catalog No. M22-PV-K01Q

Delivery programme

Approval

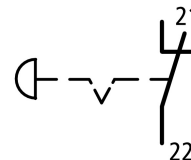


RMQ-Titan (drilling dimensions 22.5 mm)
 Emergency stop buttons
 Complete unit
 Tamper-proof according to ISO 13850/EN 418
 Pull to release
 Max. contacts to be fitted together: 4 x M22-(C)K...

Red
 Pull-release

1 NC

= safety function, by positive opening to IEC/EN 60947-5-1



Bezel: Silver
 no

Product range

Basic function
 Single unit/Complete unit
 Description

Mushroom colour (yellow base)
 Function
 Contacts
 N/C = Normally closed
 Notes

Contact sequence

Front ring
 Connection to SmartWire-DT

Approvals

Product Standards
 UL File No.
 UL Category Control No.
 CSA File No.
 CSA Class No.
 North America Certification
 Degree of Protection

IEC/EN 60947-5; UL 508; CSA-C22.2 No. 14-05; CSA-C22.2 No. 94-91; CE marking
 E29184
 NKCR
 012528
 3211-03
 UL listed, CSA certified
 UL/CSA Type 3R, 4X, 12, 13

General

Standards

Lifespan, mechanical

Operating frequency

Actuating force

Protection type

Climatic proofing

Ambient temperature

Open

		IEC/EN 60947 VDE 0660
Operations	x 10 ⁶	> 0.1
Operations/h		≦ 600
	n	50
		IP66, IP69K
		Damp heat, constant, to IEC 60068-2-78 Damp heat, cyclic, to IEC 60068-2-30
	°C	
	°C	- 25 - + 70

Mounting position		As required
Mechanical shock resistance	g	50 Shock duration 11 ms Sinusoidal according to IEC 60068-2-27

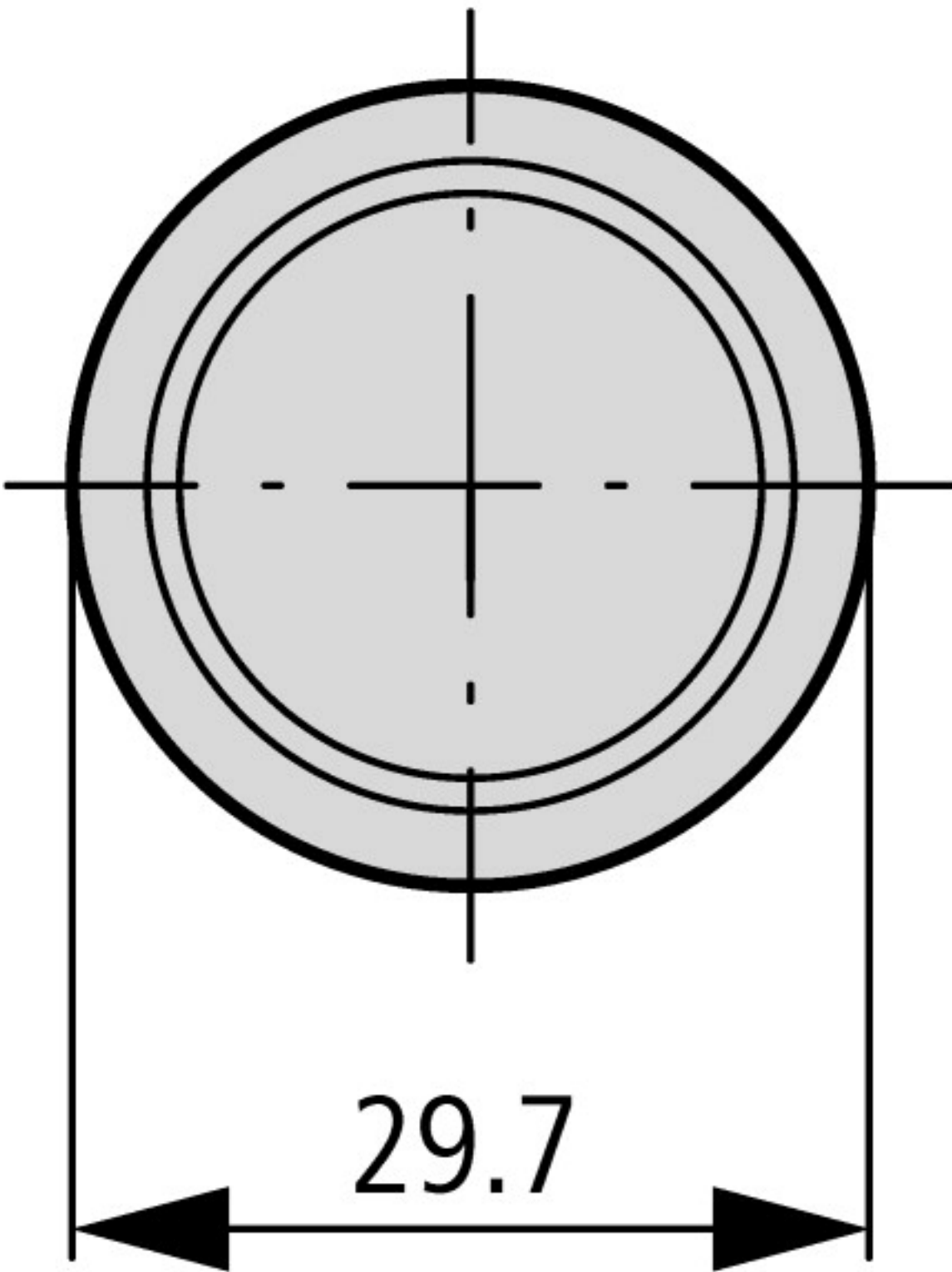
Technical data ETIM 5.0

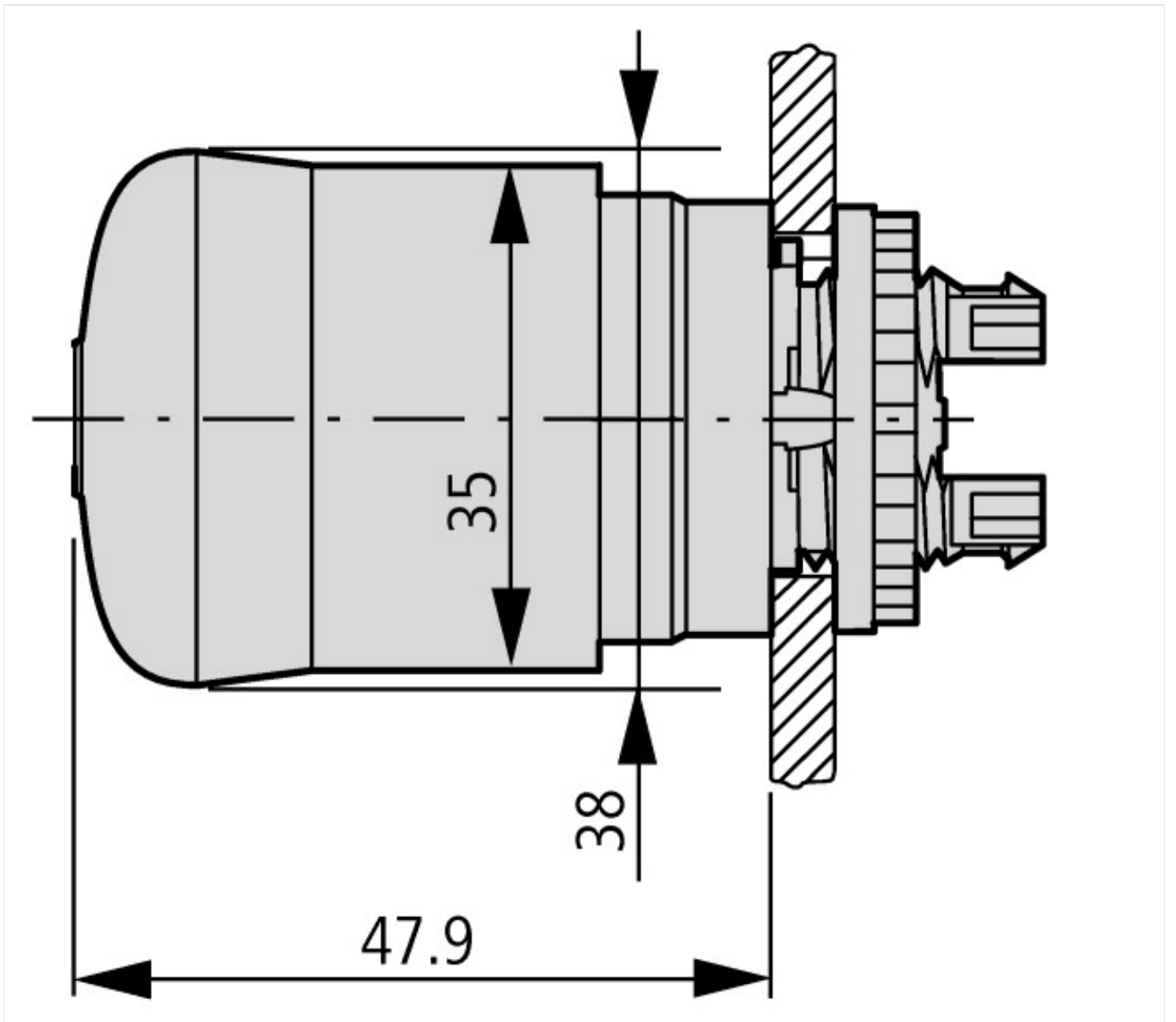
Low-voltage industrial components (EG000017) / Emergency stop complete (EC002034)

Electric engineering, automation, process control engineering / Low-voltage switch technology / Command and alarm device / EMERGENCY-STOP pushbutton, complete device (eci@ss8-27-37-12-44 [ACN986007])

Unlocking method		Pull release
Number of contacts as normally closed contact		1
Number of contacts as normally open contact		0
Degree of protection (IP)		IP66
Mounting method		Built-in
With lighting		No
Hole diameter	mm	22
Connection type auxiliary circuit		Screw connection

Dimensions





Additional product information (links)

IL04716002Z (AWA1160-1745) RMQ-Titan System

IL04716002Z (AWA1160-1745) RMQ-Titan System

ftp://ftp.moeller.net/DOCUMENTATION/AWA_INSTRUCTIONS/IL04716002Z2013_08.pdf