

Part no. DMM-160/3N/I5/P-B
Article no. 172789
Catalog No. DMM-160/3N/I5/P-B

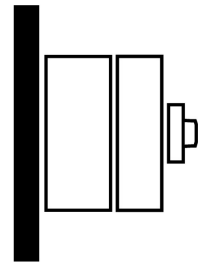
Delivery programme

Product range
 Basic function

 Part group reference
 Protection type
 Emergency switching OFF/ emergency STOP

 Design

Switch-disconnectors Dumeco
 Main switches
 Maintenance switches
 Manual override switches
 DMM
 IP20
 without emergency switching off/
 emergency stop function
 in CI-K5 enclosure
 with blue knob
 main switch surface mounting



1 padlock, 5 mm
 auxiliary contact fitted by user

3 + N

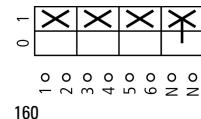
Locking facility

Contacts

Main circuits
 Poles [M]



Contact sequence



Rated uninterrupted current I_u A

160

General

Standards
 Certifications
 Ambient temperature
 Operation
 Storage
 Overvoltage category/pollution degree
 Rated impulse withstand voltage
 Rated insulation voltage
 Mounting position
 Protection against direct contact when actuated from front (EN 50274)

		IEC/EN 60947, VDE 0660, IEC/EN 60204, CSA Switch-disconnector according to IEC/EN 60947-3
		CE, RoHs, KEMA, GOST-R, Lloyds
	°C	
θ	°C	-25 - +55
θ	°C	-30 - +80
		III/3
U_{imp}	V AC	6000
U_i	V AC	1000
		As required
		Finger and back-of-hand proof

Contacts

Mechanical variables
 Main circuits
 Poles
 Electrical characteristics
 Rated operational voltage
 Rated uninterrupted current
 Note on rated uninterrupted current I_u
 Short-circuit rating
 fuse
 Rated conditional short-circuit current
 Breaking current
 max. let-through energy

		3 + N
U_e	V AC	690
I_u	A	160
		Rated uninterrupted current I_u is specified for max. cross-section.
		125
I_q	kA	50
	kA	14.5
	kA ² s	140

Rated short-time withstand current (1 s current)

Note on rated short-time withstand current I_{cw}

Switching capacity

Bemessungsausschaltvermögen $\cos \varphi$ nach IEC 60947-3

400/415 V

500 V

690 V

Safe isolation to EN 61140

Current heat loss per contact at I_e

Lifespan, mechanical

AC

AC-21A

Bemessungsbetriebsstrom Lastschalter

400 V 415 V

500 V

690 V

AC-22A

Bemessungsbetriebsstrom Lastschalter

400 V 415 V

500 V

690 V

AC-23A

Bemessungsbetriebsstrom Lastschalter

400 V 415 V

500 V

690 V

Bemessungsbetriebsleistung AC-23A, 50 - 60 Hz

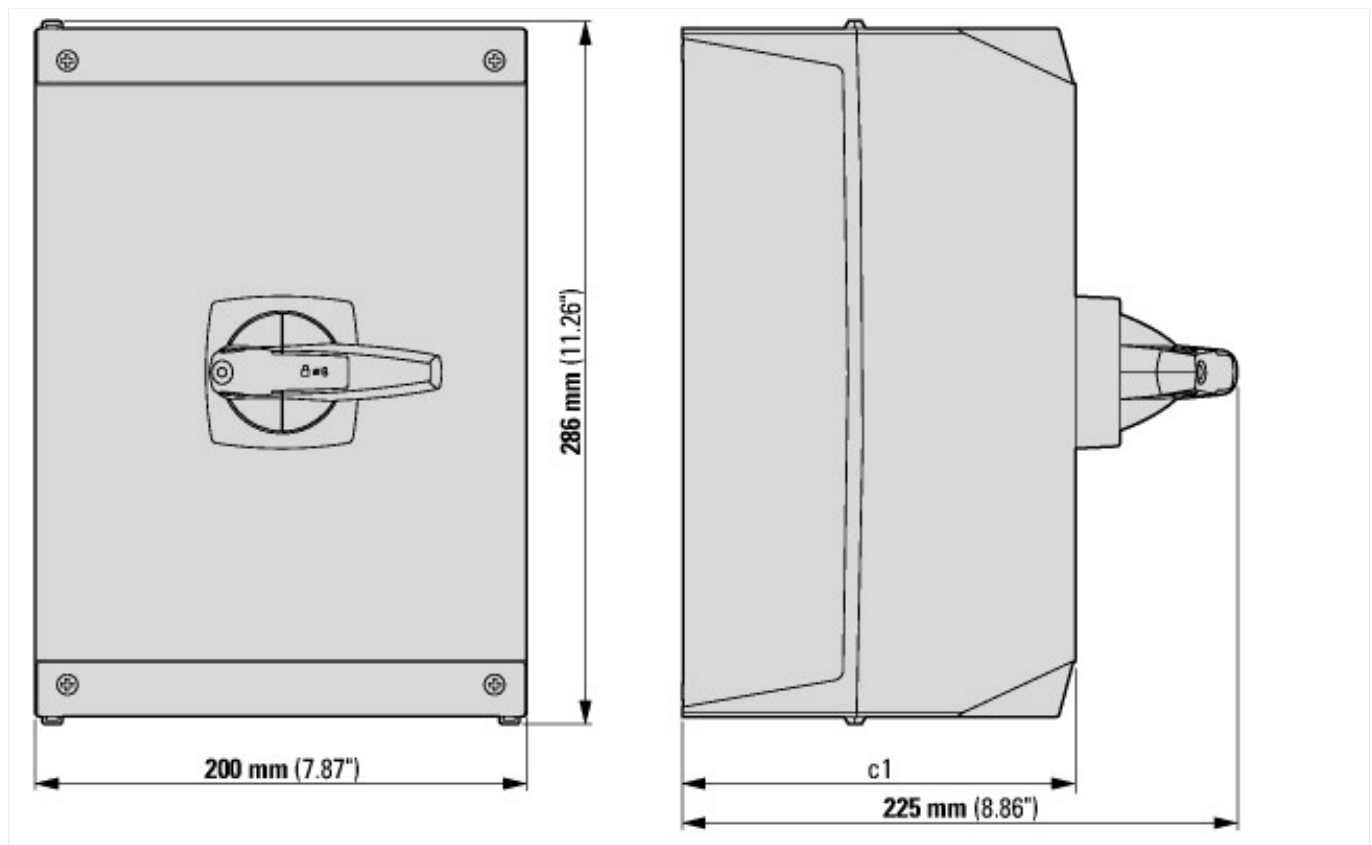
400 V 415 V

500 V

690 V

I_{cw}	A_{rms}	2500
		Current for a time of 1 second
	A	
	A	296
	A	360
	A	352
	W	7.4
Operations		10000
I_e	A	160
I_e	A	160
I_e	A	160
I_e	A	160
I_e	A	160
I_e	A	160
I_e	A	66
I_e	A	66
I_e	A	40
P	kW	
P	kW	37
P	kW	45
P	kW	40

Dimensions



Additional product information (links)

http://de.ecat.moeller.net/flip-cat/?edition=HPLTEv1&startpage=4.2
http://de.ecat.moeller.net/flip-cat/?edition=HPLTEv1&startpage=4.4
http://de.ecat.moeller.net/flip-cat/?edition=HPLTEv1&startpage=4.6
http://de.ecat.moeller.net/flip-cat/?edition=HPLTEv1&startpage=4.8
http://de.ecat.moeller.net/flip-cat/?edition=HPLTEv1&startpage=4.8