

Part no. DMM-160/3/15/P-R
Article no. 172794
Catalog No. DMM-160/3/15/P-R

Delivery programme

Product range
 Basic function

Part group reference
 Protection type
 Emergency switching OFF/ emergency STOP

Design

Locking facility

Contacts

Main circuits
 Poles [M]



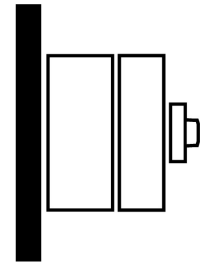
Contact sequence

Rated uninterrupted current

I_u

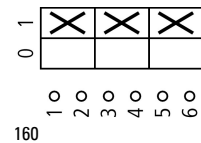
A

Switch-disconnectors Dumeco
 Main switches
 Maintenance switches
 Manual override switches
 DMM
 IP20
 as emergency switching off/
 emergency stop function
 in CI-K5 enclosure
 With red rotary handle and yellow
 locking ring
 main switch surface mounting



1 padlock, 5 mm
 auxiliary contact fitted by user

3



General

Standards

IEC/EN 60947, VDE 0660, IEC/EN 60204, CSA
 Switch-disconnector according to IEC/EN 60947-3

Certifications

CE, RoHs, KEMA, GOST-R, Lloyds

Ambient temperature

°C

Operation

θ

°C

-25 - +55

Storage

θ

°C

-30 - +80

Overvoltage category/pollution degree

III/3

Rated impulse withstand voltage

U_{imp}

V
 AC

6000

Rated insulation voltage

U_i

V
 AC

1000

Mounting position

As required

Protection against direct contact when actuated from front (EN 50274)

Finger and back-of-hand proof

Contacts

Mechanical variables

Main circuits

Poles

3

Electrical characteristics

Rated operational voltage

U_e

V
 AC

690

Rated uninterrupted current

I_u

A

160

Note on rated uninterrupted current I_u

Rated uninterrupted current I_u is specified for max. cross-section.

Short-circuit rating

fuse

125

Rated conditional short-circuit current

I_q

kA

50

Breaking current

kA

14.5

max. let-through energy
 Rated short-time withstand current (1 s current)
 Note on rated short-time withstand current I_{cw}

	kA^2s	140
I_{cw}	A_{rms}	2500
Current for a time of 1 second		

Switching capacity

Bemessungsausschaltvermögen $\cos \varphi$ nach IEC 60947-3

400/415 V
 500 V
 690 V

Safe isolation to EN 61140

Current heat loss per contact at I_e

Lifespan, mechanical

AC

AC-21A

Bemessungsbetriebsstrom Lastschalter

400 V 415 V
 500 V
 690 V

AC-22A

Bemessungsbetriebsstrom Lastschalter

400 V 415 V
 500 V
 690 V

AC-23A

Bemessungsbetriebsstrom Lastschalter

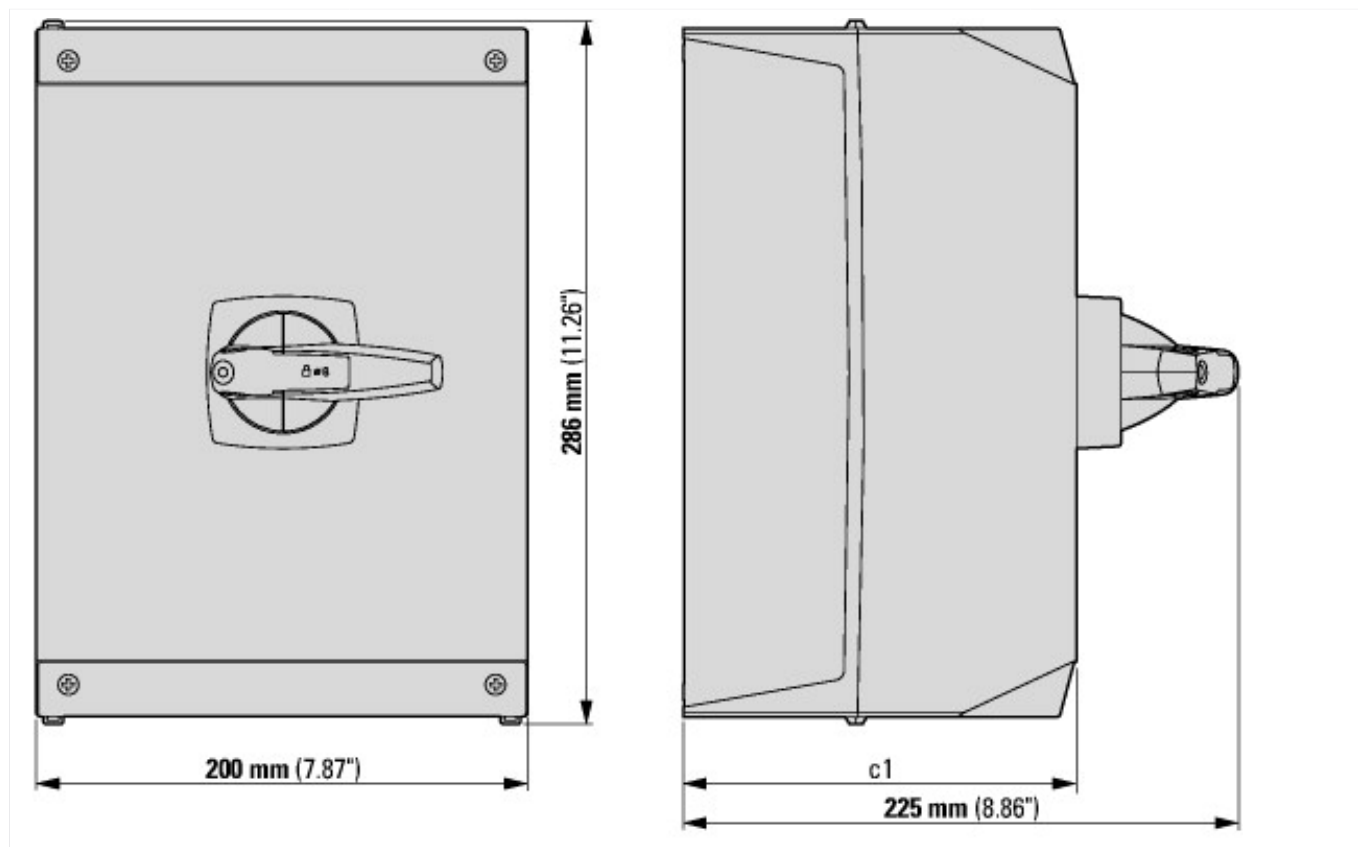
400 V 415 V
 500 V
 690 V

Bemessungsbetriebsleistung AC-23A, 50 - 60 Hz

400 V 415 V
 500 V
 690 V

	A	
	A	296
	A	360
	A	352
	W	7.4
Operations		10000
I_e	A	160
I_e	A	160
I_e	A	160
I_e	A	160
I_e	A	160
I_e	A	160
I_e	A	66
I_e	A	66
I_e	A	40
P	kW	
P	kW	37
P	kW	45
P	kW	40

Dimensions



Additional product information (links)

http://de.ecat.moeller.net/flip-cat/?edition=HPLTEv1&startpage=4.2
http://de.ecat.moeller.net/flip-cat/?edition=HPLTEv1&startpage=4.4
http://de.ecat.moeller.net/flip-cat/?edition=HPLTEv1&startpage=4.6
http://de.ecat.moeller.net/flip-cat/?edition=HPLTEv1&startpage=4.8
http://de.ecat.moeller.net/flip-cat/?edition=HPLTEv1&startpage=4.8