

# Main switch 3P, mounting, padlock



Powering Business Worldwide™

**Part no.** DMM-125/3/15/P-R  
**Article no.** 172851  
**Catalog No.** DMM-125/3/15/P-R

## Delivery programme

Product range  
 Basic function

Part group reference  
 Protection type  
 Emergency switching OFF/ emergency STOP

Design

Locking facility

Contacts

Main circuits  
 Poles [M]



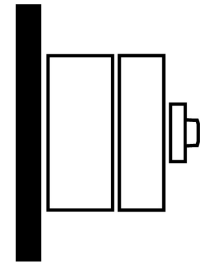
Contact sequence

Rated uninterrupted current

$I_u$

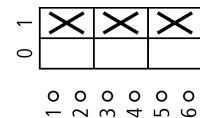
A

Switch-disconnectors Dumeco  
 Main switches  
 Maintenance switches  
 Manual override switches  
 DMM  
 IP20  
 as emergency switching off/  
 emergency stop function  
 in CI-K5 enclosure  
 With red rotary handle and yellow  
 locking ring  
 main switch surface mounting



1 padlock,  $\varnothing$  5 mm  
 auxiliary contact fitted by user

3



125

## General

Standards

IEC/EN 60947, VDE 0660, IEC/EN 60204, CSA  
 Switch-disconnector according to IEC/EN 60947-3

Certifications

CE, RoHs, KEMA, GOST-R, Lloyds

Ambient temperature

°C

Operation

$\theta$  °C -25 - +55

Storage

$\theta$  °C -30 - +80

Overvoltage category/pollution degree

III/3

Rated impulse withstand voltage

$U_{imp}$  V AC 6000

Rated insulation voltage

$U_i$  V AC 1000

Mounting position

As required

Protection against direct contact when actuated from front (EN 50274)

Finger and back-of-hand proof

## Contacts

Mechanical variables

Main circuits

Poles

3

Electrical characteristics

Rated operational voltage

$U_e$  V AC 690

Rated uninterrupted current

$I_u$  A 125

Note on rated uninterrupted current  $I_u$

Rated uninterrupted current  $I_u$  is specified for max. cross-section.

Short-circuit rating

fuse

125

Rated conditional short-circuit current

$I_q$  kA 50

Breaking current

kA 14.5

max. let-through energy  
 Rated short-time withstand current (1 s current)  
 Note on rated short-time withstand current  $I_{cw}$

	$kA^2s$	140
$I_{cw}$	$A_{rms}$	2500
		Current for a time of 1 second

### Switching capacity

Bemessungsausschaltvermögen  $\cos \varphi$  nach IEC 60947-3

400/415 V  
 500 V  
 690 V

Safe isolation to EN 61140

Current heat loss per contact at  $I_e$

Lifespan, mechanical

AC

AC-22A

Bemessungsbetriebsstrom Lastschalter

400 V 415 V  
 500 V  
 690 V

AC-23A

Bemessungsbetriebsstrom Lastschalter

400 V 415 V  
 500 V  
 690 V

Bemessungsbetriebsleistung AC-23A, 50 - 60 Hz

400 V 415 V  
 500 V  
 690 V

	A	
	A	480
	A	520
	A	352
	W	4.5
Operations		10000
$I_e$	A	125
$I_e$	A	125
$I_e$	A	125
$I_e$	A	60
$I_e$	A	65
$I_e$	A	44
P	kW	
P	kW	30
P	kW	45
P	kW	40

### Terminal capacities

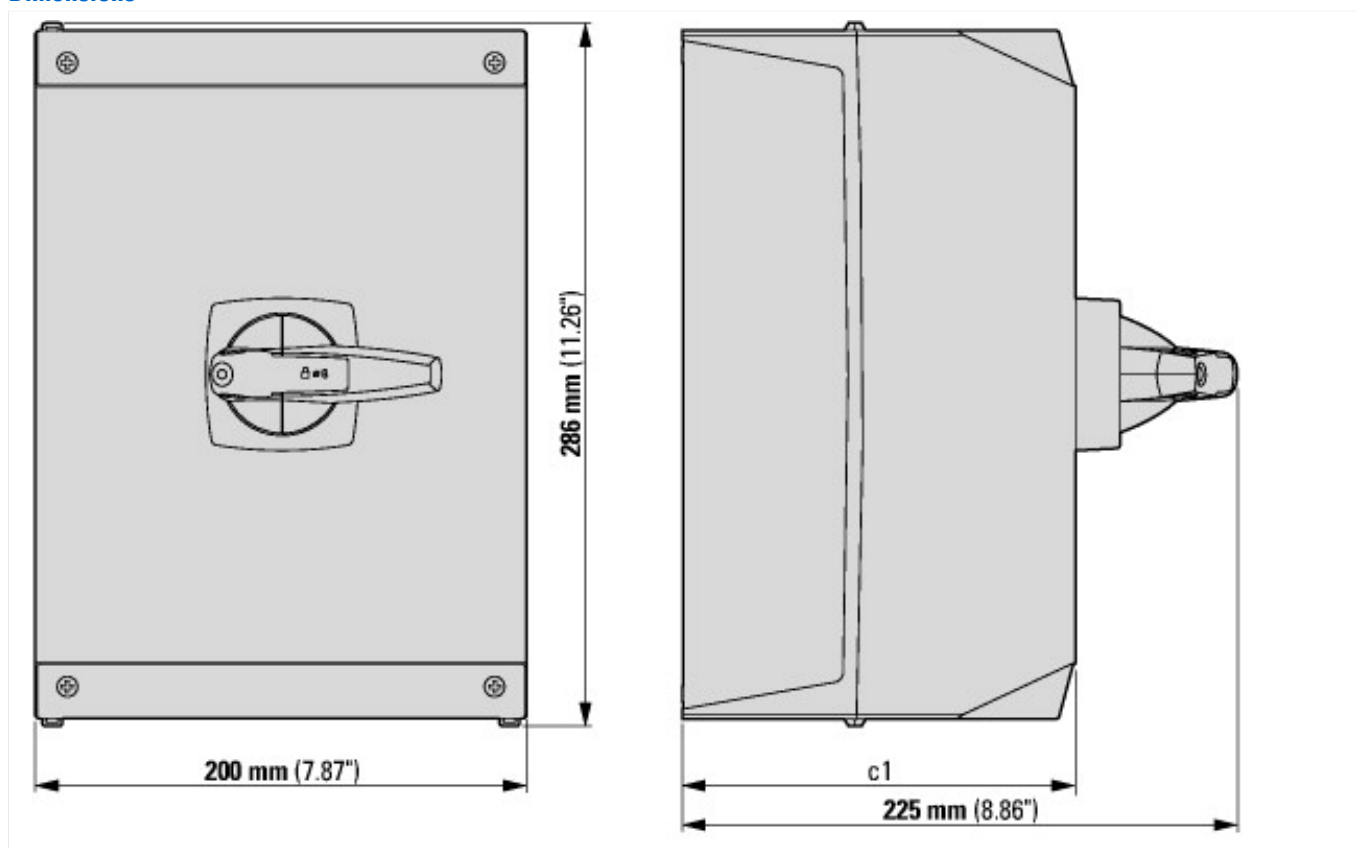
Flexible with ferrules to DIN 46228

flexible

Max. tightening torque

	$mm^2$	
	$mm^2$	6 - 70
	Nm	7

### Dimensions



## Additional product information (links)

<a href="http://de.ecat.moeller.net/flip-cat/?edition=HPLTEv1&amp;startpage=4.2">http://de.ecat.moeller.net/flip-cat/?edition=HPLTEv1&amp;startpage=4.2</a>
<a href="http://de.ecat.moeller.net/flip-cat/?edition=HPLTEv1&amp;startpage=4.4">http://de.ecat.moeller.net/flip-cat/?edition=HPLTEv1&amp;startpage=4.4</a>
<a href="http://de.ecat.moeller.net/flip-cat/?edition=HPLTEv1&amp;startpage=4.6">http://de.ecat.moeller.net/flip-cat/?edition=HPLTEv1&amp;startpage=4.6</a>
<a href="http://de.ecat.moeller.net/flip-cat/?edition=HPLTEv1&amp;startpage=4.8">http://de.ecat.moeller.net/flip-cat/?edition=HPLTEv1&amp;startpage=4.8</a>
<a href="http://de.ecat.moeller.net/flip-cat/?edition=HPLTEv1&amp;startpage=4.8">http://de.ecat.moeller.net/flip-cat/?edition=HPLTEv1&amp;startpage=4.8</a>