



### Main

Range of product	Modicon TM5
Product or component type	Counter module
Product specific application	Upcounting Period measurement Frequency generator Frequency meter Downcounting Axis following with encoder
Function of module	2 x 24 V DC auxiliary inputs 24 V DC encoder power supply
Discrete input number	1
Counting frequency	100 kHz
Encoder type	1 incremental encoder

### Complementary

Range compatibility	Modicon LMC058 Modicon M258
Product compatibility	Motion controller Logic controller
Counter inputs resolution	16 bits/32 bits
Cycle time	<= 2 ms
Input compatibility	1 incremental encoder (24 V)
Isolation	500 Vrms AC insulation between channel and bus
Discrete input logic	Sink
Discrete input voltage	24 V DC
Discrete input current	3.3 mA at 24 V
Input resistance	7.19 kOhm
Current consumption	58 mA 24 V DC input/output 2 mA 5 V DC bus
Power dissipation in W	<= 1.41 W
Marking	CE
Product weight	0.025 kg

### Environment

Standards	CSA 22-2 No 142 IEC 61131-2 UL 508 CSA 22-2 No 213
Product certifications	CSA C-Tick CULus GOST-R
Ambient air temperature for operation	0...60 °C with derating factorhorizontal installation 0...55 °C without derating factorhorizontal installation 0...50 °C vertical installation
Ambient air temperature for storage	-25...70 °C
Relative humidity	5...95 % without condensation
IP degree of protection	IP20 conforming to IEC 61131-2
Pollution degree	2 conforming to IEC 60664
Operating altitude	0...2000 m
Storage altitude	0...3000 m

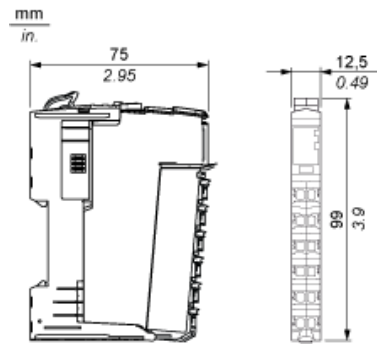
Vibration resistance	3.5 mm 5...8.4 Hz DIN rail 1 gn 8.4...150 Hz DIN rail
Shock resistance	15 gn for 11 ms
Resistance to electrostatic discharge	8 kV in air conforming to EN/IEC 61000-4-2 4 kV on contact conforming to EN/IEC 61000-4-2
Resistance to electromagnetic fields	10 V/m 80...2000 MHz conforming to EN/IEC 61000-4-3 1 V/m 2...2.7 GHz conforming to EN/IEC 61000-4-3
Resistance to fast transients	2 kV power lines conforming to EN/IEC 61000-4-4 1 kV shielded cable conforming to EN/IEC 61000-4-4 1 kV I/O conforming to EN/IEC 61000-4-4
Surge withstand	1 kV common mode conforming to EN/IEC 61000-4-5 0.5 kV differential mode conforming to EN/IEC 61000-4-5
Electromagnetic compatibility	EN/IEC 61000-4-6
Disturbance radiated/conducted	CISPR11

## Offer Sustainability

Sustainable offer status	Not Green Premium product
RoHS	Compliant - since 1039 - Schneider Electric declaration of conformity <a href="#">download declaration of conformity</a>

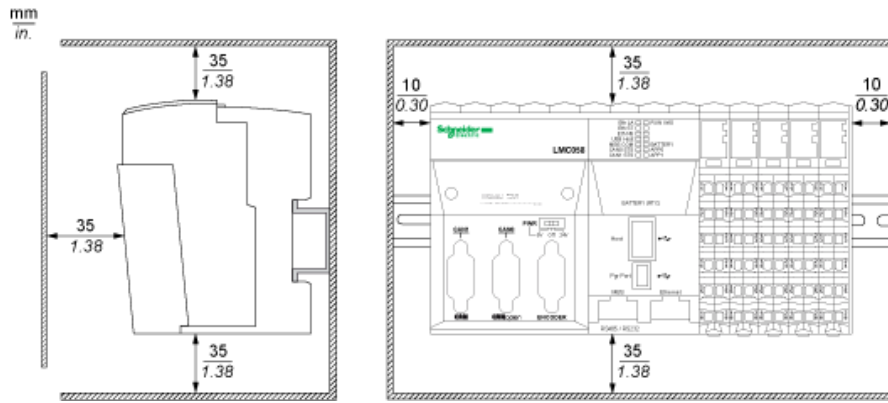
TM5 Slice

Dimensions

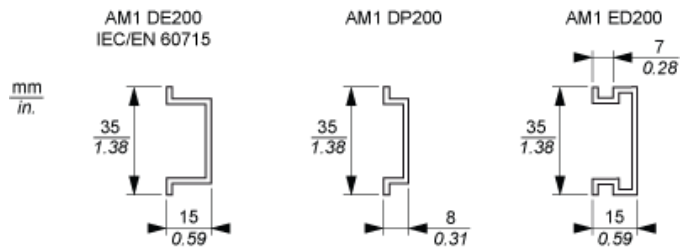


TM5 System

Spacing Requirements







Mounting on a DIN Rail



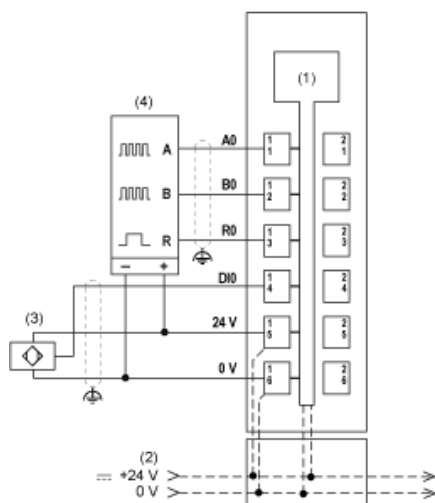
TM5 System Wiring Recommendations

Wire Sizes to Use with the Removable Spring Terminal Blocks

mm in.				
mm <sup>2</sup>	0,08...2,5	0,25...2,5	0,25...1,5	2 x 0,25...2 x 0,75
AWG	28...14	24...14	24...16	2 x 24...2 x 18

Electronic Module 1 HSC INC 100 KHz

Wiring Diagram



- (1) Internal electronics
- (2) 24 Vdc I/O power segment integrated into bus base
- (3) 3-wire sensor
- (4) Encoder