



Main

| | |
|---------------------------|------------------------|
| Range of product | Modicon TM5 |
| Product or component type | Discrete output module |
| Discrete output number | 4 |
| Discrete output type | Transistor |

Complementary

| | |
|-----------------------------|---|
| Range compatibility | Modicon LMC058 Modicon M258 |
| Product compatibility | Motion controller Logic controller |
| Output voltage | 24 V DC |
| Output voltage limits | 20.4...28.8 V |
| Discrete output logic | Source |
| Current per channel | 2 A |
| Current per output common | <= 4 A |
| Colour | White |
| Peak output current | <= 12 A |
| Switching frequency | <= 500 Hz resistive load |
| Response time | <= 300 µs from state 1 to state 0 for output <= 300 µs from state 0 to state 1 for output |
| Leakage current | 5 µA when switched off |
| Short-circuit protection | With |
| Overload protection | With |
| Reverse polarity protection | With |
| Voltage drop | <= 2 V at 500 mA for sensor supply <= 0.5 V at 2 A for output |
| Supply current for sensors | 500 mA |
| Current consumption | 21 mA 24 V DC input/output 32 mA 5 V DC bus |
| Power dissipation in W | <= 2.1 W |
| Local signalling | 4 LEDs yellow for output status 1 LED red for power supply 1 LED green for power supply |
| Electrical connection | 3 wires |
| Marking | CE |
| Product weight | 0.025 kg |

The information provided in this documentation contains general descriptions and/or technical characteristics of the performance of the products contained herein. This documentation is not intended as a substitute for and is not to be used for determining suitability or reliability of these products for specific user applications. It is the duty of any such user or integrator to perform the appropriate and complete risk analysis, evaluation and testing of the products with respect to the relevant specific application or use thereof. Neither Schneider Electric Industries SAS nor any of its affiliates or subsidiaries shall be responsible or liable for misuse of the information contained herein.

Environment

| | |
|---------------------------------------|--|
| Standards | CSA 22-2 No 142 IEC 61131-2 UL 508 CSA 22-2 No 213 |
| Product certifications | CSA C-Tick CULus GOST-R |
| Ambient air temperature for operation | 0...60 °C with derating factorhorizontal installation 0...55 °C without derating factorhorizontal installation 0...50 °C vertical installation |
| Ambient air temperature for storage | -25...70 °C |
| Relative humidity | 5...95 % without condensation |
| IP degree of protection | IP20 conforming to IEC 61131-2 |
| Pollution degree | 2 conforming to IEC 60664 |
| Operating altitude | 0...2000 m |
| Storage altitude | 0...3000 m |
| Vibration resistance | 3.5 mm 5...8.4 Hz DIN rail 1 gn 8.4...150 Hz DIN rail |
| Shock resistance | 15 gn for 11 ms |
| Resistance to electrostatic discharge | 8 kV in air conforming to EN/IEC 61000-4-2 4 kV on contact conforming to EN/IEC 61000-4-2 |
| Resistance to electromagnetic fields | 10 V/m 80...2000 MHz conforming to EN/IEC 61000-4-3 1 V/m 2...2.7 GHz conforming to EN/IEC 61000-4-3 |
| Resistance to fast transients | 2 kV power lines conforming to EN/IEC 61000-4-4 1 kV shielded cable conforming to EN/IEC 61000-4-4 1 kV I/O conforming to EN/IEC 61000-4-4 |
| Surge withstand | 1 kV common mode conforming to EN/IEC 61000-4-5 0.5 kV differential mode conforming to EN/IEC 61000-4-5 |
| Electromagnetic compatibility | EN/IEC 61000-4-6 |
| Disturbance radiated/conducted | CISPR11 |

Not classified

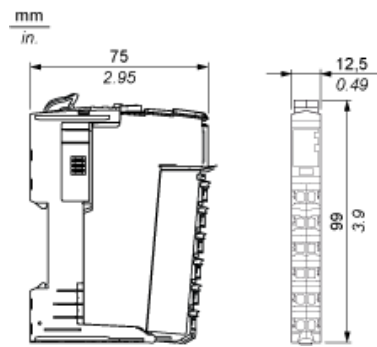
| | |
|-----------|--|
| Isolation | No insulation between channels 500 Vrms AC insulation between channel and bus |
|-----------|--|

Offer Sustainability

| | |
|--------------------------|--|
| Sustainable offer status | Not Green Premium product |
| RoHS | Compliant - since 1039 - Schneider Electric declaration of conformity download declaration of conformity |

TM5 Slice

Dimensions

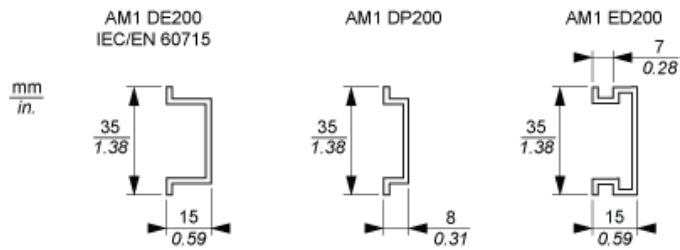


TM5 System

Spacing Requirements



Mounting on a DIN Rail



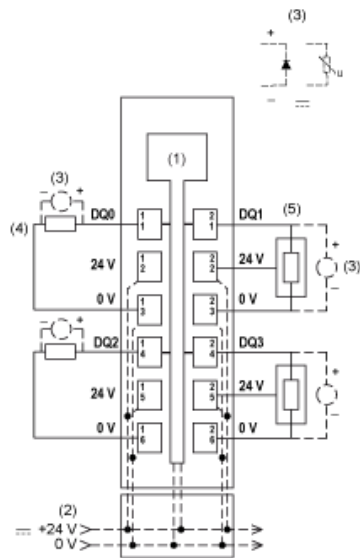
TM5 System Wiring Recommendations

Wire Sizes to Use with the Removable Spring Terminal Blocks

| mm in. |  |  |  |  |
|-----------------|---|---|---|---|
| mm ² | 0,08...2,5 | 0,25...2,5 | 0,25...1,5 | 2 x 0,25...2 x 0,75 |
| AWG | 28...14 | 24...14 | 24...16 | 2 x 24...2 x 18 |

Electronic Module 4DO 24 Vdc Tr 2 A 3 Wires

Wiring Diagram



- (1) Internal electronics
- (2) 24 Vdc I/O power segment integrated into the bus bases
- (3) Inductive load protection
- (4) 2-wire load
- (5) 3-wire load