


RAD-DOR4-IFS

Order No.: 2901536



Digital I/O extension module with 4 digital relay outputs (6 A, 250 V AC/ 24 V DC), with screw connection, incl. DIN rail connector

**Ex n****Commercial data**

| | |
|------------------------|--|
| EAN |  4 046356 610483 |
| Pack | 1 |
| Customs tariff | 85389091 |
| Gross weight in pieces | 179.40 g |
| Country of Origin | DE |

Product notes

WEEE/RoHS-compliant since:
14/06/2011



Please note that the data given here has been taken from the online catalog. For comprehensive information and data, please refer to the user documentation at <http://www.download.phoenixcontact.com>. The General Terms and Conditions of Use apply to Internet downloads.

Technical data**General data**

| | |
|------------------------|----------|
| Width | 17.5 mm |
| Height | 99 mm |
| Depth | 114.5 mm |
| Surge voltage category | II |

| | |
|---|--|
| Mounting position | Any |
| Assembly instructions | on standard DIN rail NS 35 in accordance with EN 60715 |
| Degree of protection | IP20 |
| Pollution degree | 2 |
| Housing material | PA 6.6-FR |
| Inflammability class according to UL 94 | V0 |

Supply

| | |
|----------------------------|---------------------------------------|
| Supply voltage range | 19.2 V DC ... 30.5 V DC (T-connector) |
| Max. current consumption | max. 55 mA (At 24 V DC, at 25°C) |
| Transient surge protection | Yes |

Relay output

| | |
|---|--|
| Number of outputs | 4 |
| Contact type | PDT |
| Contact material | AgSnO ₂ |
| Maximum switching voltage | 250 V AC 24 V DC |
| Min. switching current | ≥ 10 mA |
| Max. switching current | 6 A |
| Mechanical service life | 1 x 10 ⁷ cycles |
| Electrical service life | 1 x 10 ⁵ cycles (At 5 A, 250 V AC, ohmic) 2 x 10 ⁵ cycles (At 2 A, 250 V AC, cosφ 0.4) 2 x 10 ⁵ cycles (At 1 A, 24 V DC, L/R = 48 ms) |
| Maximum switching frequency | 2 Hz |
| Switching capacity | 140 W (24 V DC) 120 W (30 V DC) 20 W (48 V DC) 18 W (60 V DC) 22 W (110 V DC) 40 W (220 V DC) 42 W (250 V DC) 1500 VA |
| Behavior of the outputs (adjustable via DIP switch) | Hold / Reset |

Electrical isolation

| | |
|-------------|--|
| Digital I/O | 300 V (Rated insulation voltage (in each case between the TBUS digital outputs // supply, safe isolation according to EN 61010, EN 50178)) |
|-------------|--|

Test voltage

| | |
|-------------|---------------------------|
| Digital I/O | 2.5 kV AC (50 Hz, 1 min.) |
|-------------|---------------------------|

Connection data

| | |
|--|---------------------|
| Connection method | Screw connection |
| Conductor cross section solid min. | 0.2 mm ² |
| Conductor cross section solid max. | 2.5 mm ² |
| Conductor cross section stranded min. | 0.2 mm ² |
| Conductor cross section stranded max. | 2.5 mm ² |
| Conductor cross section AWG/kcmil min. | 24 |
| Conductor cross section AWG/kcmil max | 14 |
| Stripping length | 7 mm |
| Tightening torque | 0.6 Nm |
| Screw thread | M3 |

Status indicator

| | |
|----------------|------------------------------------|
| Status display | Green LED (supply voltage, PWR) |
| | Green LED (bus communication, DAT) |
| | Red LED (periphery error, ERR) |
| | Yellow LED (digital output, DO1) |
| | Yellow LED (digital output, DO2) |
| | Yellow LED (digital output, DO3) |
| | Yellow LED (digital output, DO4) |

Ambient conditions

| | |
|--|---|
| Ambient temperature (operation) | -40 °C ... 70 °C (>55°C Derating) |
| | -40 °F ... 158 °F (>131°F derating) |
| Ambient temperature (storage/transport) | -40 °C ... 85 °C |
| | -40 °F ... 185 °F |
| Permissible humidity (operation) | 20 % ... 85 % |
| Permissible humidity (storage/transport) | 20 % ... 85 % |
| Altitude | 2000 m |
| Vibration (operation) | In accordance with IEC 60068-2-6: 5 g, 10 Hz - 150 Hz |

| | |
|----------------------------------|--------------------------------|
| Shock | 16 g, 11 ms |
| Approvals and conformance | |
| Conformance | CE-compliant |
| ATEX | Ex II 3 G Ex nA nC IIC T4 Gc X |
| IECEX | Applied for |
| UL, USA / Canada | UL applied for |
| Standard designation | EMC Directive 2004/108/EC |
| Standards/regulations | EN 61000-6-2 |
| Standard designation | EMC Directive 2004/108/EC |
| Standards/regulations | EN 61000-6-4 |
| Standard designation | Ex Directive (ATEX) |
| Standards/regulations | EN 60079-0 |
| Standard designation | Ex Directive (ATEX) |
| Standards/regulations | EN-60079-15 |

Certificates

Certification

Certifications applied for:

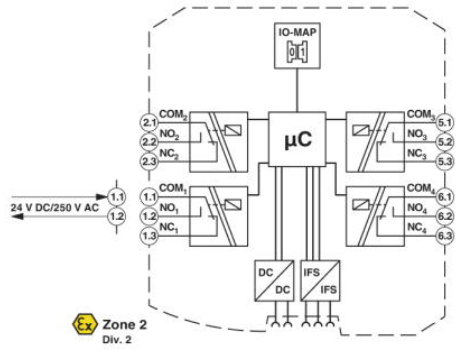
Certification Ex:

Accessories

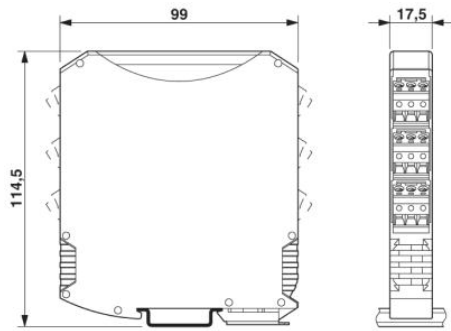
| Item | Designation | Description |
|----------------|--------------------------------|---|
| General | | |
| 2709561 | ME 17,5 TBUS 1,5/ 5-ST-3,81 GN | DIN rail connector for DIN rail power supply unit, gold-plated contacts, for DIN rail mounting, 5-pos. |
| 2901541 | RAD-2400-IFS | 2400 MHz wireless transceiver with RS-232, RS-485 2-wire interface, expandable with I/O extension modules, with screw connection, antenna connection: RSMA (female), including DIN rail connector |
| 2901535 | RAD-DI4-IFS | Digital I/O extension module with 4 digital inputs (0...250 V AC/DC), with screw connection, incl. DIN rail connector |

Drawings

Block diagram



Dimensioned drawing



Address

PHOENIX CONTACT Ltd
Halesfield 13
Telford / Shropshire / TF7 4PG,England
Phone 01952 681 700
Fax 01952 681 799
<http://www.phoenixcontact.co.uk>



Phoenix Contact Ltd.
Technical modifications reserved;