



SSF215 Series

Long reach external mount via 1/2"NPT



- Long reach for thick walled tanks and boss mounting
- Available with flying lead or M12 plug connection
- Float material SS 316, stem material SS 304
- External mount via 1/2"NPT thread, so does not require access to the inside of the tank for fitting.
- N/O or N/C switching action

Technical Specification

Mounting style	External	Cable length - standard	100cm
Mounting thread	1/2"NPT	Cable size	17/0.10 - AWG22
Float & Stem material	316/304 grade SS	Cable conductor material	Tinned copper
Maximum Temperature	120°C	Cable sheath material	Teflon
Maximum pressure	10 bar	Cable temperature rating	200°C
Float SG	0.7	Sealing gasket	Not supplied
Minimum fluid SG	0.8	Tightening torque for fixing	2.0kg/cm

Electrical Specification

Contact Form		N/O (N/C)
Switching Power Max	VA	50
Switching Voltage AC Max	V	300
Switching Voltage DC Max	V	300
Switching Current Max	A	0.5

All ratings are for resistive load only.

The SSF215 series of floatswitches are externally mounted horizontal switches. This series has an extended reach to provide a solution for extra thick tank walls or for mounting in welded on 1/2"NPT bosses.

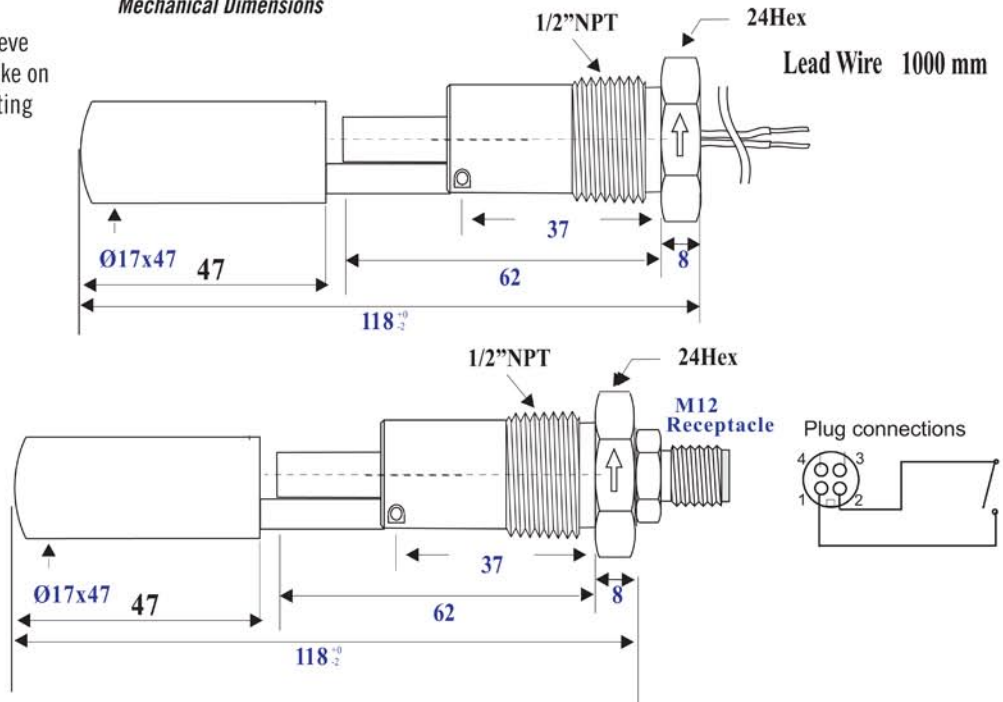
The 1/2"NPT thread enables the switches to be fitted through the wall of a tank from the outside, so does not require access to the inside of the tank.

The floatswitch can be fitted to achieve either N/O (make on rise) or N/C (make on fall) switching action by simply rotating the switch through 180°.

RS Stock No	Standard Parts	Stem Material	Float Material	Connection
756-4132	SSF215X100	SS304	SS316	100cm Teflon AWG 22
756-4141	SSF215XPM12	SS304	SS316	M12 Plug connection

Custom versions can be made for particular applications. Please contact Cynergy3 with your requirements.

Mechanical Dimensions



Cynergy3 Components Ltd.
7 Cobham Road
Ferndown Industrial Estate
Wimborne, Dorset BH21 7PE
Telephone +44 (0) 1202 897969

Email:sales@cynergy3.com