



RSF100 Series

External mount miniature vertical switch



- External mount via compression seal
- Compact design with small diameter float
- Many variants are UL recognised components File No. E171218

Technical Specification

Material	Nylon	Polypropylene WRAS approved	Polypropylene UL approved
Colour	Black	Opaque	White
Temp. Range °C	-20 / +75	-20 / +100	-20 / +100
°F	-4 / +167	-4 / +212	-4 / +212
Min. Fluid SG	0.85	0.85	0.85

* Maximum temperature requires ETFE cable to be specified.

Electrical Specification

Electrical Specification		25W (Y code)	100W (H code)
Contact Form		N/O (N/C)	N/O (N/C)
Switching Power Max	VA	25	100
Switching Voltage AC Max	V	240	300
Switching Voltage DC Max	V	120	300
Switching Current Max	A	0.6	1

All ratings are for resistive load only.

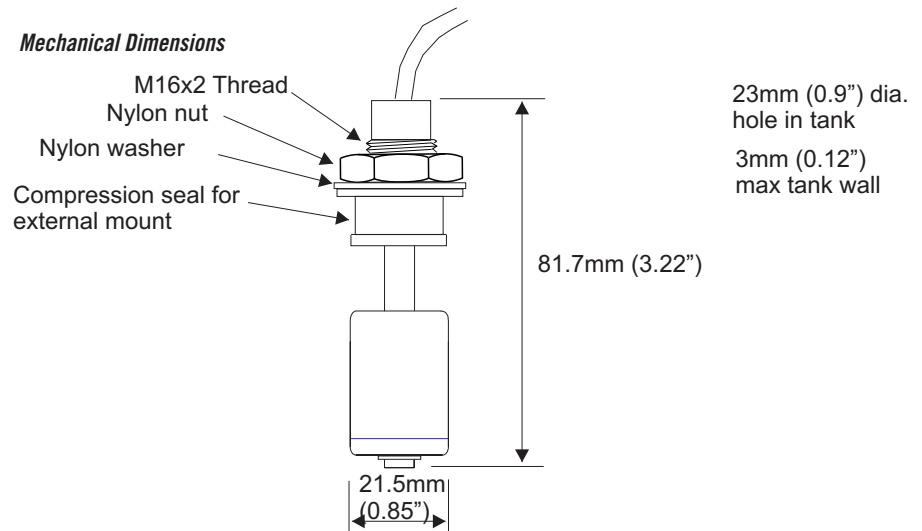
A compact vertically mounted design with a single switch point.

Mounting is in the top or bottom of a tank via a compression seal, so does not require access to the inside of the tank for fitting.

RS Stock No	Standard Parts	Material	Max Power	Leadouts	Gasket
	RSF104Y100JN	Polypropylene	25VA	100cm PVC 2 core 7/0.2	Nitrile
	RSF104H100JN	Polypropylene	25VA	100cm PVC 2 core 7/0.2	Nitrile

Custom versions can be made for particular applications. Please contact Cynergy3 with your requirements.

Mechanical Dimensions



Cynergy3 Components Ltd.
7 Cobham Road
Ferndown Industrial Estate
Wimborne, Dorset BH21 7PE
Telephone +44 (0) 1202 897969

Email:sales@cynergy3.com

ISO9001 CERTIFIED

www.cynergy3.com