

3SE5212-0QV40 POS.MET.,W. SEPARATE ACT.,1NO+2NC



SAFETY POS. SWITCH W. SEPARATE ACTUATOR, METAL ENCLOSURE, 31MM; 1X(M20X1.5) SLOW-ACTION CONTACTS 1NO+2NC, 5 APPROACH DIRECTIONS, THE SUITABLE SEPARATE ACTUATOR 3SE5000-0AV0. HAS TO ORDERED SEPARATELY

| General technical details: | | |
|---|---|--|
| product designation | | position switch with separate actuator |
| Insulation voltage | | |
| • rated value | V | 400 |
| Degree of pollution | | class 3 |
| Thermal current | A | 6 |
| Operating current | | |
| • at AC-15 | | |
| • at 24 V / rated value | A | 6 |
| • at 125 V / rated value | A | 6 |
| • at 230 V / rated value | A | 1.5 |
| • at DC-13 | | |
| • at 24 V / rated value | A | 3 |
| • at 125 V / rated value | A | 0.55 |
| • at 230 V / rated value | A | 0.27 |
| Continuous current | | |
| • of the slow DIAZED fuse link | A | 6 |
| • of the quick DIAZED fuse link | A | 10 |
| • of the C characteristic circuit breaker | A | 1 |
| Mechanical operating cycles as operating time | | |
| • typical | | 1,000,000 |
| Electrical operating cycles as operating time | | |
| • with contactor 3RH11, 3RT1016, 3RT1017, 3RT1024, 3RT1025, 3RT1026 / typical | | 10,000,000 |
| • at AC-15 / at 230 V / typical | | 100,000 |

| | | |
|---|------------|--------------------------|
| Electrical operating cycles in one hour | | 6,000 |
| <ul style="list-style-type: none"> with contactor 3RH11, 3RT1016, 3RT1017, 3RT1024, 3RT1025, 3RT1026 | | |
| Repeat accuracy | mm | 0.05 |
| Design of the contact element | | slow-action contacts |
| Number of NC contacts | | 2 |
| <ul style="list-style-type: none"> for auxiliary contacts | | |
| Design of the switching function | | positive opening |
| Number of NO contacts | | 1 |
| <ul style="list-style-type: none"> for auxiliary contacts | | |
| Resistance against vibration | | 0.35 mm / 5g |
| Resistance against shock | | 30g / 11 ms |
| Ambient temperature | | |
| <ul style="list-style-type: none"> during operating | °C | -25...+85 |
| <ul style="list-style-type: none"> during storage | °C | -40...+90 |
| Product specification | | EN 50047 |
| <ul style="list-style-type: none"> for dimensions | | |
| Width of the sensor | mm | 31 |
| material | | metal |
| <ul style="list-style-type: none"> of the housing | | |
| Material / of the housing / of the switch head | | plastic |
| Design of the operating mechanism | | 5 directions of approach |
| Actuating speed | mm/s / m/s | 0.4...0.5 |
| Minimum actuating force / in activation direction | N | 20 |
| Protection class IP | | IP66/IP67 |
| Built in orientation | | any |
| Cable gland version | | 1x (M20 x 1.5) |
| Design of the electrical connection | | screw-type terminals |
| Item designation | | |
| <ul style="list-style-type: none"> according to DIN 40719 extendable after IEC 204-2 | | S |
| <ul style="list-style-type: none"> according to DIN EN 61346-2 | | B |

Certificates/approvals:

| General Product Approval | | | Test Certificates | other |
|--------------------------|----|-----|--------------------------|--------------|
| GOST | UL | VDE | Special Test Certificate | Confirmation |

Further information:

Information- and Downloadcenter (Catalogs, Brochures,...)

<http://www.siemens.com/industrial-controls/catalogs>

Industry Mall (Online ordering system)

<http://www.siemens.com/industrial-controls/mall>

CAX-Online-Generator

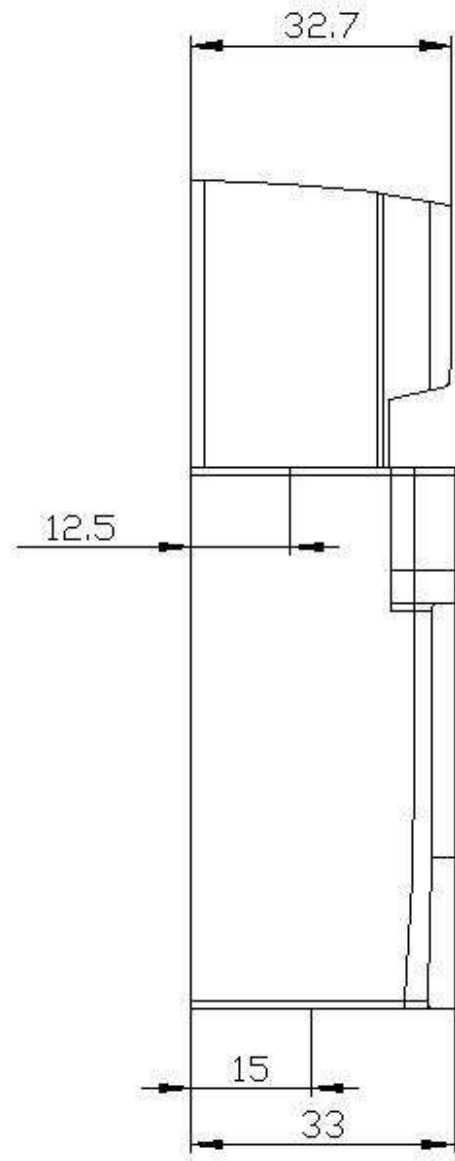
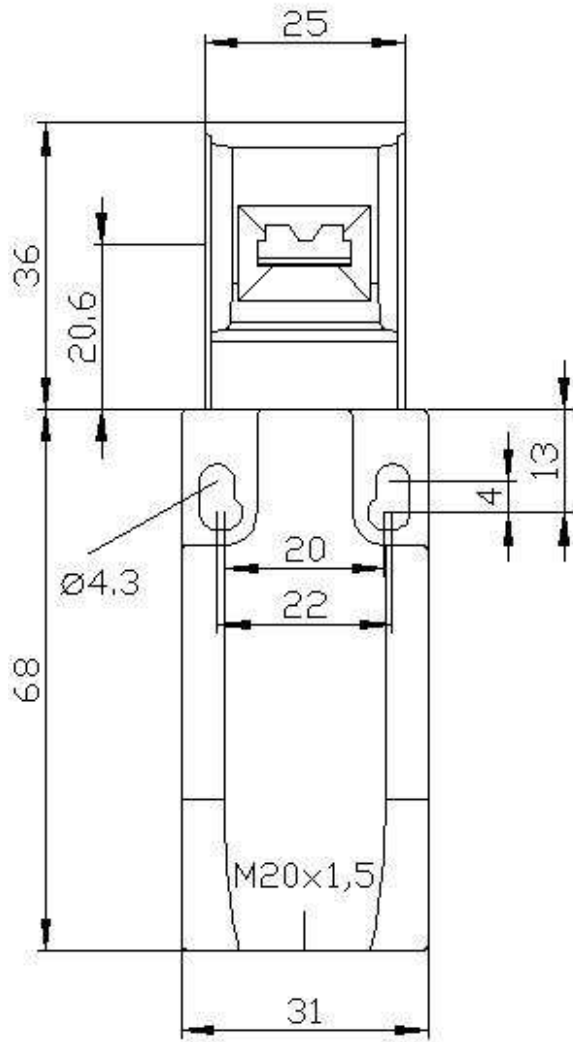
<http://www.siemens.com/cax>

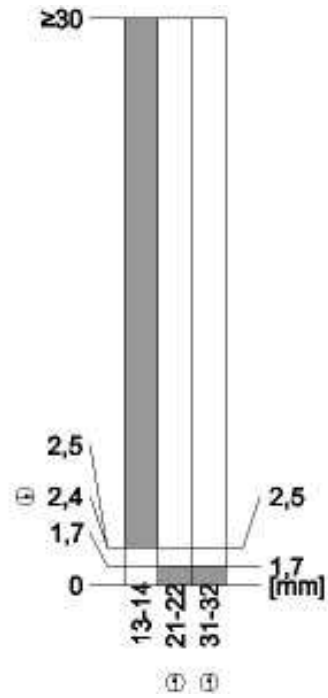
Service&Support (Manuals, Certificates, Characteristics, FAQs,...)

<http://support.automation.siemens.com/WW/view/en/3SE5212-0QV40/all>

Image database (product images, 2D dimension drawings, 3D models, device circuit diagrams, ...)

http://www.automation.siemens.com/bilddb/cax_en.aspx?mlfb=3SE5212-0QV40





last change:

Mar 12, 2012