

3SE5212-3RV40 POS.METAL,W. SEPARATE ACT.,1NO+1NC,2LED





SAFETY POS. SWITCH W. SEPARATE ACTUATOR, METAL ENCLOSURE, 31MM; 1X(M20X1.5) SLOW-ACTION CONTACTS 1NO+1NC, 2XLEDS YELLOW/GREEN 230V AC, 5 APPROACH DIRECTIONS, THE SUITABLE SEPARATE ACTUATOR 3SE5000-0AV0. HAS TO ORDERED SEPARATELY

General technical details:		
product designation		position switch with separate actuator
Type of voltage / of the supply voltage		AC
<ul style="list-style-type: none"> of the optional LED display 		
Insulation voltage		
<ul style="list-style-type: none"> rated value 	V	400
Degree of pollution		class 3
Thermal current	A	6
Operating current		
<ul style="list-style-type: none"> at AC-15 at 24 V / rated value at 125 V / rated value at 230 V / rated value at DC-13 at 24 V / rated value at 125 V / rated value at 230 V / rated value 	A	6
	A	6
	A	3
	A	3
	A	0.55
	A	0.27
Continuous current		
<ul style="list-style-type: none"> of the slow DIAZED fuse link of the quick DIAZED fuse link of the C characteristic circuit breaker 	A	6
	A	10
	A	2
Mechanical operating cycles as operating time		
<ul style="list-style-type: none"> typical 		1,000,000
Electrical operating cycles as operating time		
<ul style="list-style-type: none"> with contactor 3RH11, 3RT1016, 3RT1017, 		10,000,000

3RT1024, 3RT1025, 3RT1026 / typical			
<ul style="list-style-type: none"> at AC-15 / at 230 V / typical 			100,000
Electrical operating cycles in one hour			6,000
<ul style="list-style-type: none"> with contactor 3RH11, 3RT1016, 3RT1017, 3RT1024, 3RT1025, 3RT1026 			
Repeat accuracy	mm		0.05
Design of the contact element			slow-action contacts
Number of NC contacts			1
<ul style="list-style-type: none"> for auxiliary contacts 			
Design of the switching function			positive opening
Number of NO contacts			1
<ul style="list-style-type: none"> for auxiliary contacts 			
Resistance against vibration			0.35 mm / 5g
Resistance against shock			30g / 11 ms
Ambient temperature			
<ul style="list-style-type: none"> during operating during storage 	°C		-25...+60
	°C		-40...+90
Product specification			
<ul style="list-style-type: none"> for dimensions 			EN 50047
Width of the sensor	mm		31
material			
<ul style="list-style-type: none"> of the housing 			metal
Material / of the housing / of the switch head			plastic
Design of the operating mechanism			5 directions of approach
Actuating speed	mm/s / m/s		0.4...0.5
Minimum actuating force / in activation direction	N		20
Protection class IP			IP66/IP67
Built in orientation			any
Cable gland version			1x (M20 x 1.5)
Design of the electrical connection			screw-type terminals
Item designation			
<ul style="list-style-type: none"> according to DIN 40719 extendable after IEC 204-2 according to DIN EN 61346-2 			S
			B

Certificates/approvals:

General Product Approval		Test Certificates	other
ROSTEST		Manufacturer	Manufacturer
			

Further information:

Information- and Downloadcenter (Catalogs, Brochures,...)

<http://www.siemens.com/industrial-controls/catalogs>

Industry Mall (Online ordering system)

<http://www.siemens.com/industrial-controls/mall>

CAX-Online-Generator

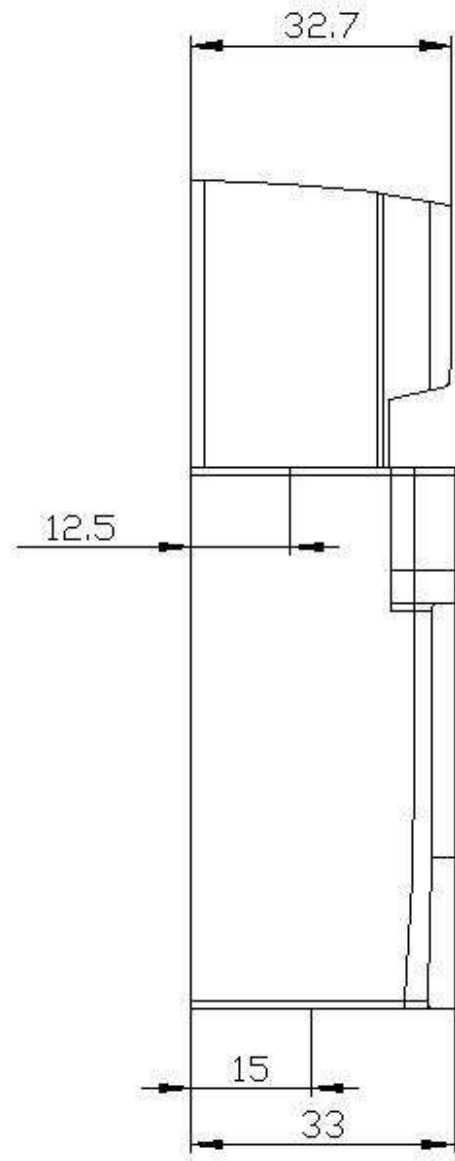
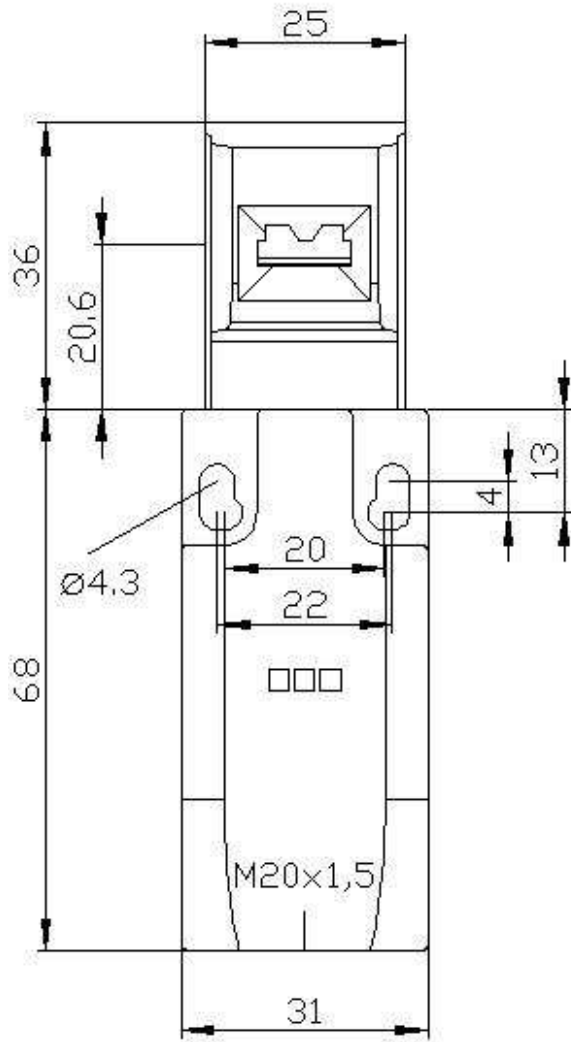
<http://www.siemens.com/cax>

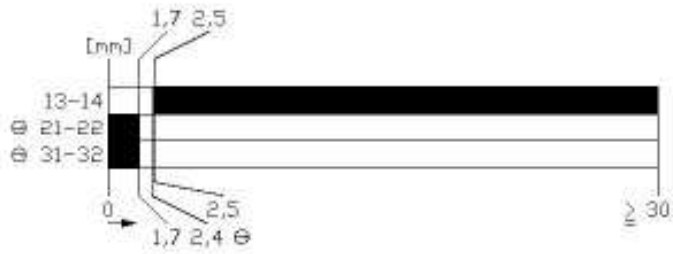
Service&Support (Manuals, Certificates, Characteristics, FAQs,...)

<http://support.automation.siemens.com/WW/view/en/3SE5212-3RV40/all>

Image database (product images, 2D dimension drawings, 3D models, device circuit diagrams, ...)

http://www.automation.siemens.com/bilddb/cax_en.aspx?mlfb=3SE5212-3RV40





last change:

Mar 12, 2012