



SAFETY POS. SWITCH W. SEPARATE ACTUATOR,  
METAL HOUSING, 40MM,  
1X(M20X1.5) SLOW-ACTION CONTACTS 2NC/1NO;  
W. 2 LEDS 230V AC YELLOW/GREEN,  
5 DIRECTIONS OF APPROACH

### General technical details:

<b>product designation</b>		position switch with separate actuator
<b>Type of voltage / of the supply voltage</b>		
• of the optional LED display		AC
<b>Insulation voltage</b>		
• rated value	V	400
<b>Degree of pollution</b>		class 3
<b>Thermal current</b>	A	6
<b>Operating current</b>		
• at AC-15		
• at 24 V / rated value	A	6
• at 125 V / rated value	A	6
• at 230 V / rated value	A	1.5
• at DC-13		
• at 24 V / rated value	A	3
• at 125 V / rated value	A	0.55
• at 230 V / rated value	A	0.27
<b>Continuous current</b>		
• of the slow DIAZED fuse link	A	6
• of the quick DIAZED fuse link	A	10

<ul style="list-style-type: none"> <li>• of the C characteristic circuit breaker</li> </ul>	A	1
<b>Mechanical operating cycles as operating time</b> <ul style="list-style-type: none"> <li>• typical</li> </ul>		1,000,000
<b>Electrical operating cycles as operating time</b> <ul style="list-style-type: none"> <li>• with contactor 3RH11, 3RT1016, 3RT1017, 3RT1024, 3RT1025, 3RT1026 / typical</li> <li>• at AC-15 / at 230 V / typical</li> </ul>		1,000,000 100,000
<b>Electrical operating cycles in one hour</b> <ul style="list-style-type: none"> <li>• with contactor 3RH11, 3RT1016, 3RT1017, 3RT1024, 3RT1025, 3RT1026</li> </ul>		6,000
<b>Repeat accuracy</b>	mm	0.05
<b>Design of the contact element</b>		slow-action contacts
<b>Number of NC contacts</b> <ul style="list-style-type: none"> <li>• for auxiliary contacts</li> </ul>		2
<b>Design of the switching function</b>		positive opening
<b>Number of NO contacts</b> <ul style="list-style-type: none"> <li>• for auxiliary contacts</li> </ul>		1
<b>Resistance against vibration</b>		0.35 mm / 5g
<b>Resistance against shock</b>		30g / 11 ms
<b>Ambient temperature</b> <ul style="list-style-type: none"> <li>• during operating</li> <li>• during storage</li> </ul>	°C °C	-25 ... +60 -40 ... +90
<b>Product specification</b> <ul style="list-style-type: none"> <li>• for dimensions</li> </ul>		EN 50041
<b>Width of the sensor</b>	mm	40
<b>material</b> <ul style="list-style-type: none"> <li>• of the housing</li> </ul>		metal
<b>Material / of the housing / of the switch head</b>		metal
<b>Design of the operating mechanism</b>		5 directions of approach
<b>Actuating speed</b>	mm/s / m/s	0.4 ... 0.5
<b>Minimum actuating force / in activation direction</b>	N	20
<b>Protection class IP</b>		IP66/IP67
<b>Built in orientation</b>		any
<b>Cable gland version</b>		1x (M20 x 1.5)
<b>Design of the electrical connection</b>		screw-type terminals
<b>Item designation</b> <ul style="list-style-type: none"> <li>• according to DIN 40719 extendable after IEC 204-2</li> <li>• according to DIN EN 61346-2</li> </ul>		S B

#### Certificates/approvals:

General Product Approval	Functional Safety / Safety of Machinery	Declaration of Conformity
--------------------------	---	---------------------------

[CCC](#)

[GOST](#)

[UL](#)

[VDE](#)

[Type Examination Certificate](#)

[EC-Declaration of Conformity](#)

**other**

[Confirmation](#)

#### Further information:

**Information- and Downloadcenter (Catalogs, Brochures,...)**

<http://www.siemens.com/industrial-controls/catalogs>

**Industry Mall (Online ordering system)**

<http://www.siemens.com/industrial-controls/mall>

**CAX-Online-Generator**

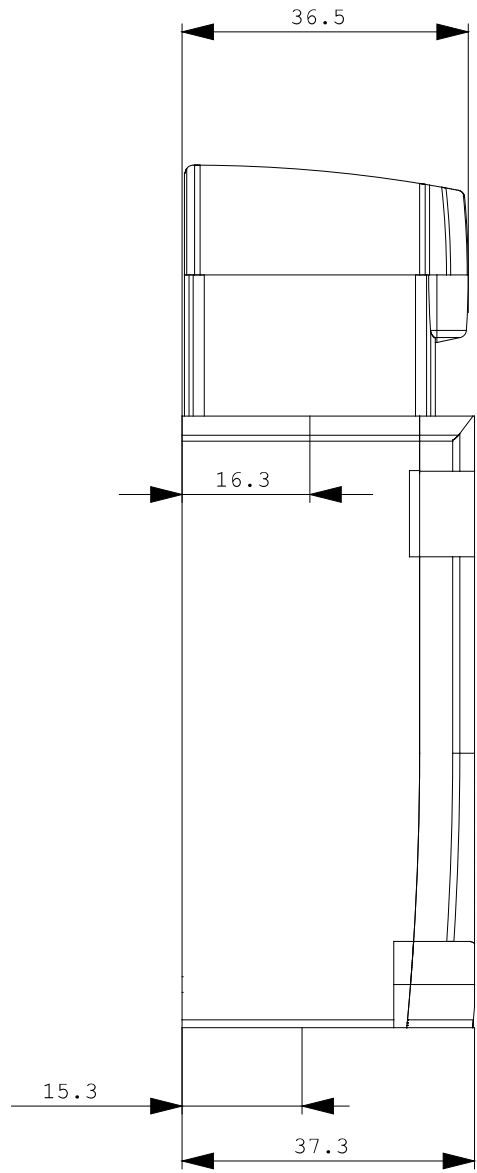
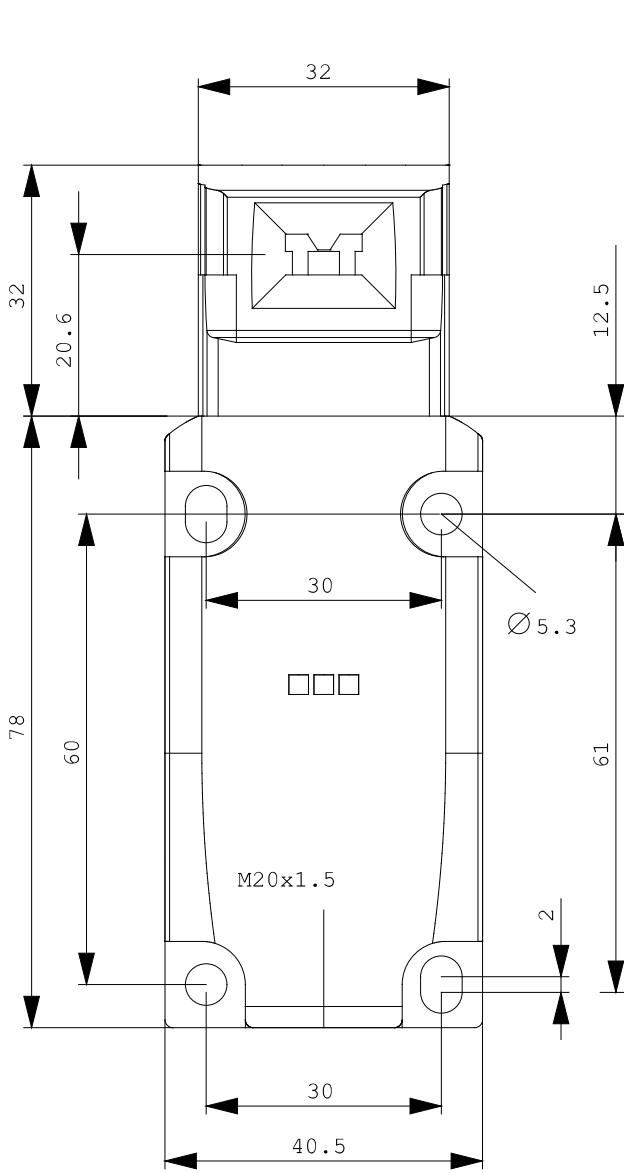
<http://www.siemens.com/cax>

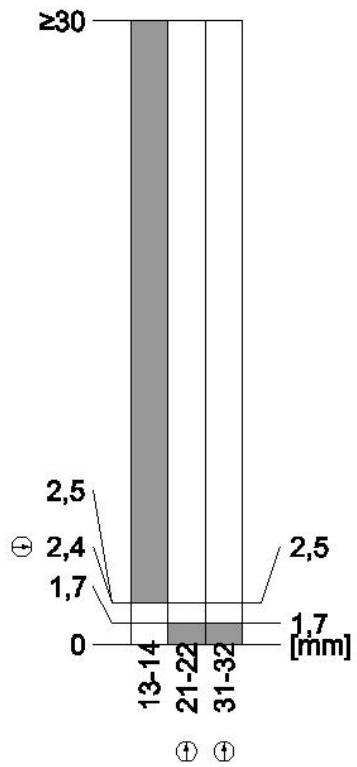
**Service&Support (Manuals, Certificates, Characteristics, FAQs,...)**

<http://support.automation.siemens.com/WW/view/en/3SE5112-3QV10/all>

**Image database (product images, 2D dimension drawings, 3D models, device circuit diagrams, ...)**

[http://www.automation.siemens.com/bilddb/cax\\_en.aspx?mlfb=3SE5112-3QV10](http://www.automation.siemens.com/bilddb/cax_en.aspx?mlfb=3SE5112-3QV10)





last change:

Mar 24, 2012