



SAFETY POS. SWITCH W. SEPARATE ACTUATOR,
 PLASTIC ENCLOSURE, 31MM;
 1X(M20X1.5) W/DEVICE M12 CONNECTOR,
 4-POLE SLOW-ACTION CONTACTS 2NC,
 5 DIRECTIONS OF APPROACH,
 THE MATCHING SEPARATE ACTUATOR 3SE5000-0AV0.
 IS TO BE ORDERED SEPARATELY

General technical details:

product designation		position switch with separate actuator
Insulation voltage		
• rated value	V	250
Degree of pollution		class 3
Thermal current	A	4
Operating current		
• at AC-15		
• at 24 V / rated value	A	4
• at 125 V / rated value	A	4
• at 230 V / rated value	A	1.5
• at DC-13		
• at 24 V / rated value	A	3
• at 125 V / rated value	A	0.55
• at 230 V / rated value	A	0.27
Continuous current		
• of the slow DIAZED fuse link	A	4
• of the quick DIAZED fuse link	A	4
• of the C characteristic circuit breaker	A	1
Mechanical operating cycles as operating time		

• typical		1,000,000
Electrical operating cycles as operating time		
• at AC-15 / at 230 V / typical		100,000
Electrical operating cycles in one hour		
• with contactor 3RH11, 3RT1016, 3RT1017, 3RT1024, 3RT1025, 3RT1026		6,000
Repeat accuracy	mm	0.05
Design of the contact element		slow-action contacts
Number of NC contacts		
• for auxiliary contacts		2
Design of the switching function		positive opening
Number of NO contacts		
• for auxiliary contacts		0
Resistance against vibration		0.35 mm / 5g
Resistance against shock		30g / 11 ms
Ambient temperature		
• during operating	°C	-25 ... +85
• during storage	°C	-40 ... +90
Product specification		
• for dimensions		EN 50047
Width of the sensor	mm	31
material		
• of the housing		plastic
Material / of the housing / of the switch head		plastic
Design of the operating mechanism		5 directions of approach
Actuating speed	mm/s / m/s	0.4 ... 0.5
Minimum actuating force / in activation direction	N	20
Protection class IP		IP65
Built in orientation		any
Cable gland version		M12 plug
Design of the electrical connection		M12 plug, fixed
Design of the plug-in connection		M12 plug, 4-pole: Pin 1 = terminal 21, Pin 2 = 22, Pin 3 = 31, Pin 4 = 32
Item designation		
• according to DIN 40719 extendable after IEC 204-2		S
• according to DIN EN 61346-2		B

Certificates/approvals:

General Product Approval	Functional Safety / Safety of Machinery	Test Certificates
--------------------------	---	-------------------



CQC

[ROSTEST](#)



UL



VDE

[TÜV](#)

[Manufacturer](#)

other

[Manufacturer](#)

Further information:

Information- and Downloadcenter (Catalogs, Brochures,...)

<http://www.siemens.com/industrial-controls/catalogs>

Industry Mall (Online ordering system)

<http://www.siemens.com/industrial-controls/mall>

CAX-Online-Generator

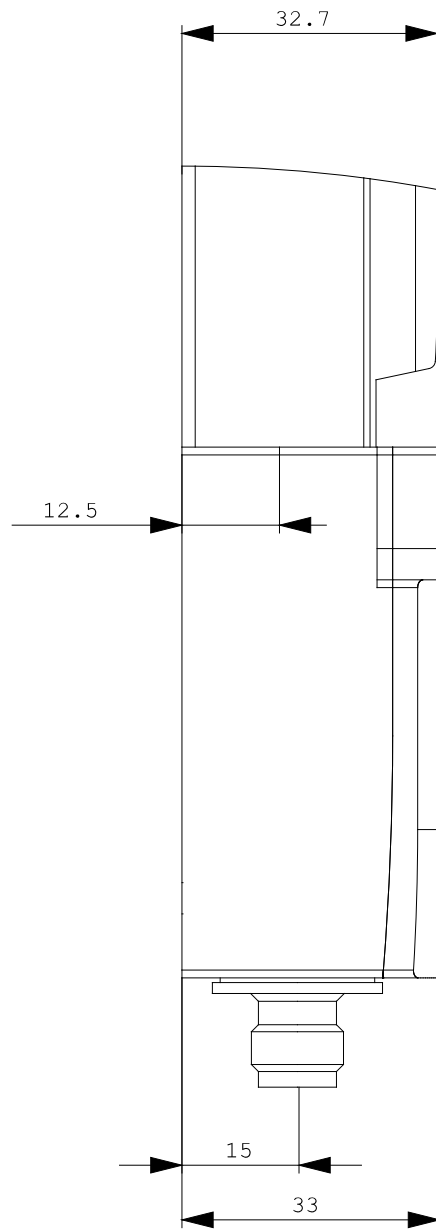
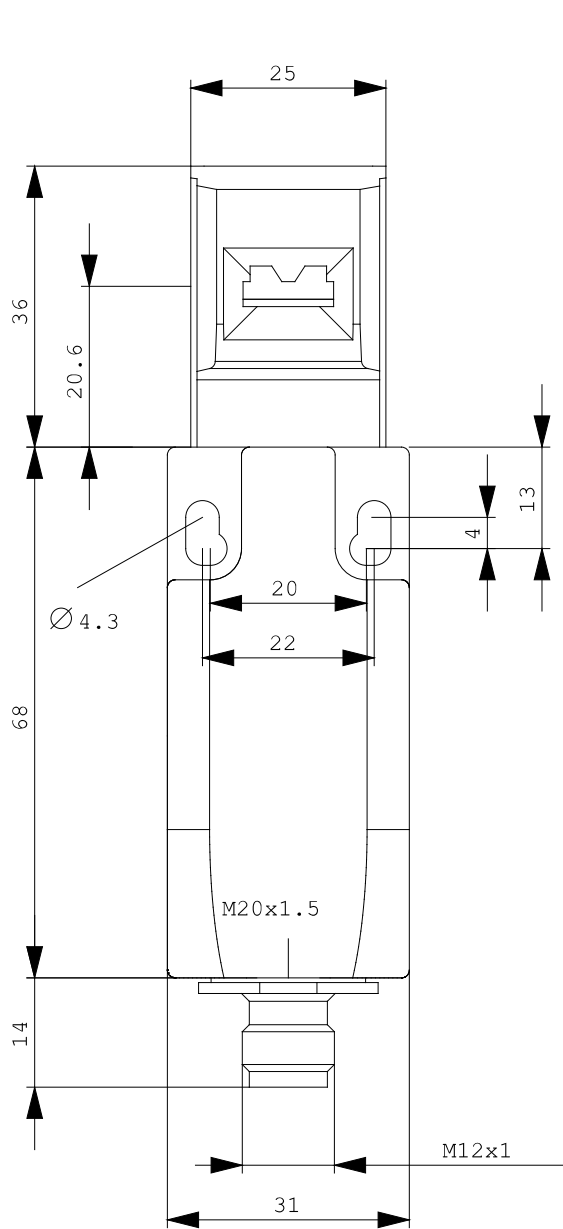
<http://www.siemens.com/cax>

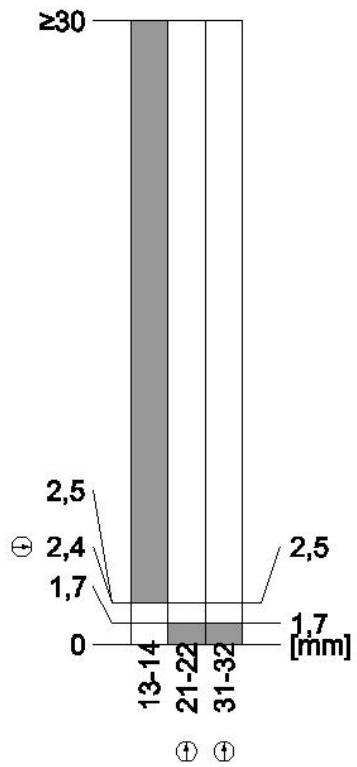
Service&Support (Manuals, Certificates, Characteristics, FAQs,...)

<http://support.automation.siemens.com/WWW/view/en/3SE5234-0QV40-1AE0/all>

Image database (product images, 2D dimension drawings, 3D models, device circuit diagrams, ...)

http://www.automation.siemens.com/bilddb/cax_en.aspx?mlfb=3SE5234-0QV40-1AE0





last change:

Mar 12, 2012