



SIRIUS POSITION SWITCH;  
 PLASTIC HOUSING ACC. TO EN50047,  
 31MM DEVICE CONNECTION 1X(M20X1.5);  
 1NO/2NC SLOW-ACTION CONTACTS ROLLER PLUNGER  
 W. PLASTIC ROLLER 10MM

**Manufacturer article number**

- of the basic unit included in the scope of supply
- of the actuator head for position switches included in the scope of supply

[3SE5232-0KC05](#)

[3SE5000-0AD03](#)

**General technical details:**

<b>Product designation</b>		standard position switch
<b>Insulation voltage</b>		
• rated value	V	400
<b>Degree of pollution</b>		class 3
<b>Thermal current</b>	A	6
<b>Operating current</b>		
• at AC-15		
• at 24 V / rated value	A	6
• at 125 V / rated value	A	6
• at 230 V / rated value	A	1.5
• at DC-13		
• at 24 V / rated value	A	3
• at 125 V / rated value	A	0.55
• at 230 V / rated value	A	0.27
<b>Continuous current</b>		

<ul style="list-style-type: none"> <li>• of the slow DIAZED fuse link</li> <li>• of the quick DIAZED fuse link</li> <li>• of the C characteristic circuit breaker</li> </ul>	A	6
	A	10
	A	1
<b>Mechanical operating cycles as operating time</b>		
<ul style="list-style-type: none"> <li>• typical</li> </ul>		15,000,000
<b>Electrical operating cycles as operating time</b>		
<ul style="list-style-type: none"> <li>• with contactor 3RH11, 3RT1016, 3RT1017, 3RT1024, 3RT1025, 3RT1026 / typical</li> </ul>		10,000,000
<ul style="list-style-type: none"> <li>• at AC-15 / at 230 V / typical</li> </ul>		100,000
<b>Electrical operating cycles in one hour</b>		
<ul style="list-style-type: none"> <li>• with contactor 3RH11, 3RT1016, 3RT1017, 3RT1024, 3RT1025, 3RT1026</li> </ul>		6,000
<b>Repeat accuracy</b>	mm	0.1
<b>Design of the contact element</b>		slow-action contacts
<b>Number of NC contacts</b>		
<ul style="list-style-type: none"> <li>• for auxiliary contact</li> </ul>		2
<b>Design of the switching function</b>		positive opening
<b>Number of NO contacts</b>		
<ul style="list-style-type: none"> <li>• for auxiliary contact</li> </ul>		1
<b>Resistance against vibration</b>		0.35 mm / 5g
<b>Resistance against shock</b>		30g / 11 ms
<b>Ambient temperature</b>		
<ul style="list-style-type: none"> <li>• during the operating phase</li> </ul>	°C	-25 ... 85
<ul style="list-style-type: none"> <li>• during storage</li> </ul>	°C	-40 ... 90
<b>Product specification</b>		
<ul style="list-style-type: none"> <li>• for dimensions</li> </ul>		EN 50047
<b>Width of the sensor</b>	mm	31
<b>Material</b>		
<ul style="list-style-type: none"> <li>• of the housing</li> </ul>		plastic
<b>Material / of the housing / of the switch head</b>		plastic
<b>Design of the operating mechanism</b>		plastic roller
<b>Actuating speed</b>	mm/s / m/s	0.4 ... 1
<b>Minimum actuating force / in activation direction</b>	N	20
<b>Protection class IP</b>		IP65
<b>Built in orientation</b>		any
<b>Design of the cable entry (gland)</b>		1x (M20 x 1.5)
<b>Design of the electrical connection</b>		screw-type terminals
<b>Item designation</b>		
<ul style="list-style-type: none"> <li>• according to DIN 40719 extendable after IEC 204-2</li> </ul>		S
<ul style="list-style-type: none"> <li>• according to DIN EN 61346-2</li> </ul>		B

Further information:

Information- and Downloadcenter (Catalogs, Brochures,...)

<http://www.siemens.com/industrial-controls/catalogs>

Global Industry Mall (Online ordering system)

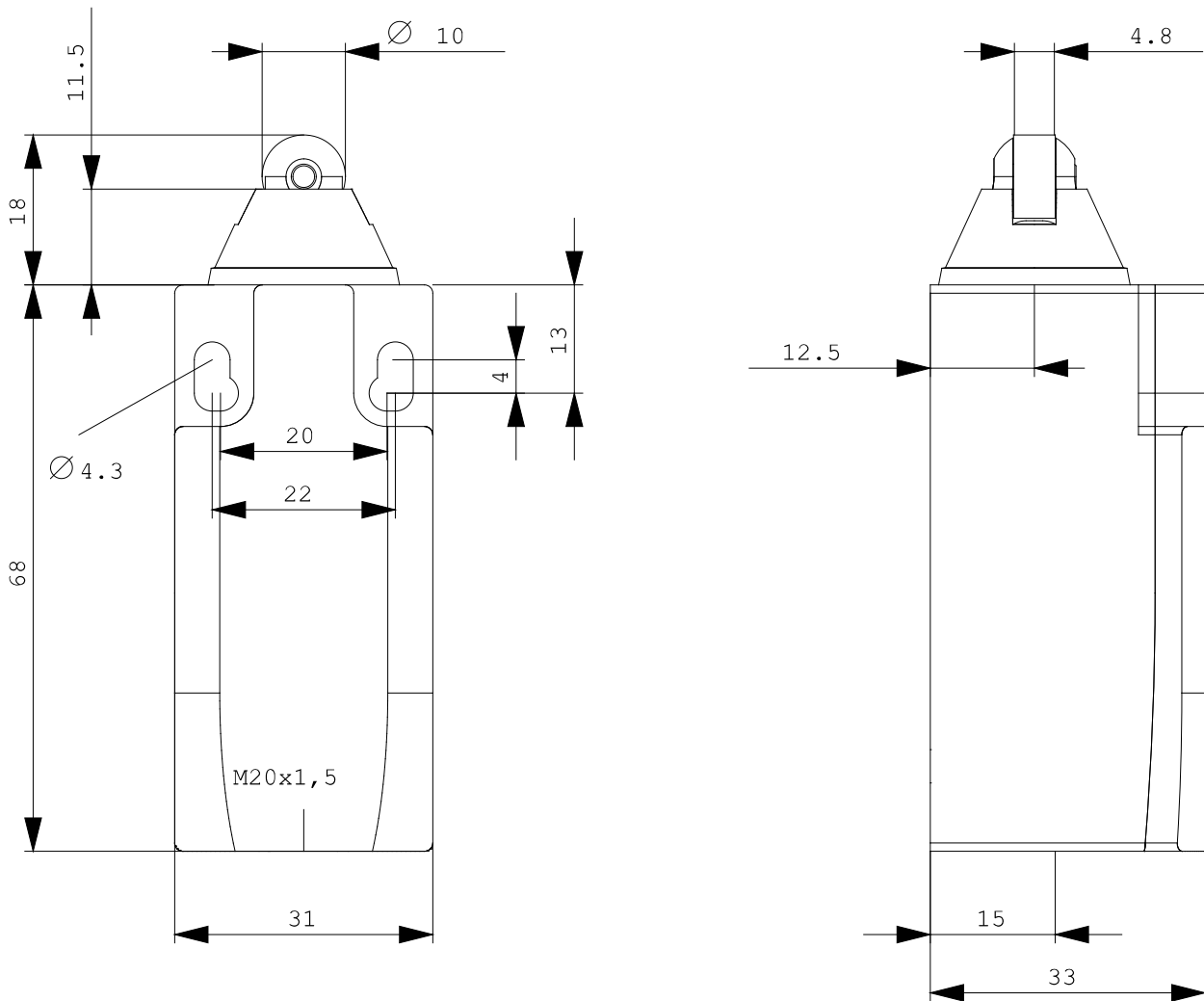
<http://www.siemens.com/industrial-controls/mall>

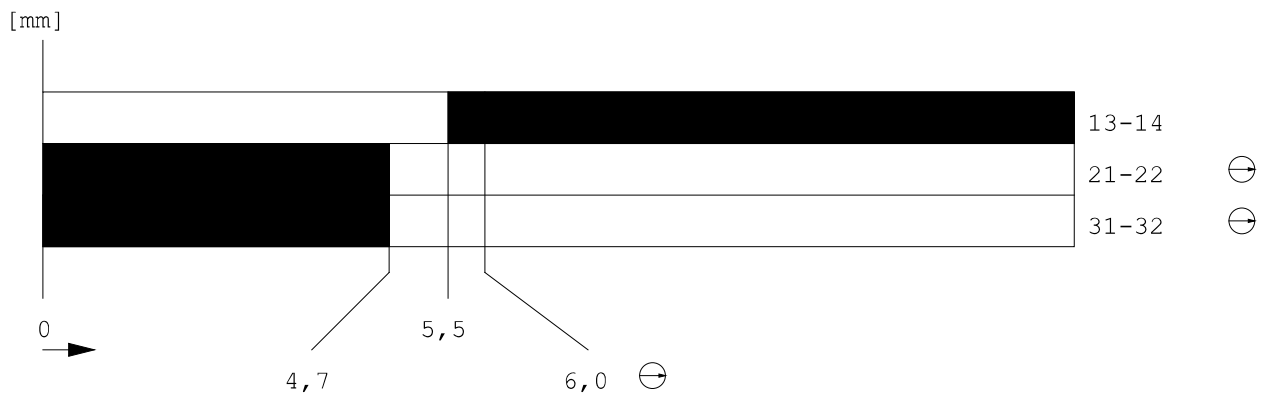
Service&Support (Manuals, Certificates, Characteristics, FAQs,...)

<http://support.automation.siemens.com/WW/view/en/3SE5232-0KD03/all>

Image database (product images, 2D dimension drawings, 3D models, device circuit diagrams, ...)

[http://www.automation.siemens.com/bilddb/cax\\_en.aspx?mlfb=3SE5232-0KD03](http://www.automation.siemens.com/bilddb/cax_en.aspx?mlfb=3SE5232-0KD03)





last change:

Aug 16, 2010