



SIRIUS POSITION SWITCH METAL ENCLOSURE 40MM TO EN50041 DEVICE CONNECTION 1X (M20X1.5) 1NO/ 2NC SLOW-ACTION CONTACTS ROUNDED PLUNGER W. 3MM OVERTRAVEL, STAINLESS STEEL

Manufacturer article number

- of the basic unit included in the scope of supply
- of the actuator head for position switches included in the scope of supply

[3SE5112-0KA00](#)

[3SE5000-0AC02](#)

General technical details:

Product designation		standard position switch
Insulation voltage		
• rated value	V	400
Degree of pollution		class 3
Thermal current	A	6
Operating current		
• at AC-15		
• at 24 V / rated value	A	6
• at 125 V / rated value	A	6
• at 230 V / rated value	A	1.5
• at DC-13		
• at 24 V / rated value	A	3
• at 125 V / rated value	A	0.55
• at 230 V / rated value	A	0.27
Continuous current		

<ul style="list-style-type: none"> • of the slow DIAZED fuse link • of the quick DIAZED fuse link • of the C characteristic circuit breaker 	A	6
	A	10
	A	1
Mechanical operating cycles as operating time		
<ul style="list-style-type: none"> • typical 		15,000,000
Electrical operating cycles as operating time		
<ul style="list-style-type: none"> • with contactor 3RH11, 3RT1016, 3RT1017, 3RT1024, 3RT1025, 3RT1026 / typical 		10,000,000
<ul style="list-style-type: none"> • at AC-15 / at 230 V / typical 		100,000
Electrical operating cycles in one hour		
<ul style="list-style-type: none"> • with contactor 3RH11, 3RT1016, 3RT1017, 3RT1024, 3RT1025, 3RT1026 		6,000
Repeat accuracy	mm	0.1
Design of the contact element		slow-action contacts
Number of NC contacts		
<ul style="list-style-type: none"> • for auxiliary contact 		2
Design of the switching function		positive opening
Number of NO contacts		
<ul style="list-style-type: none"> • for auxiliary contact 		1
Resistance against vibration		0.35 mm / 5g
Resistance against shock		30g / 11 ms
Ambient temperature		
<ul style="list-style-type: none"> • during the operating phase 	°C	-25 ... 85
<ul style="list-style-type: none"> • during storage 	°C	-40 ... 90
Product specification		
<ul style="list-style-type: none"> • for dimensions 		EN 50041
Width of the sensor	mm	40
Material		
<ul style="list-style-type: none"> • of the housing 		metal
Material / of the housing / of the switch head		metal
Design of the operating mechanism		stainless steel plunger
Actuating speed	mm/s / m/s	0.4 ... 1.5
Minimum actuating force / in activation direction	N	18
Protection class IP		IP66/IP67
Built in orientation		any
Design of the cable entry (gland)		1x (M20 x 1.5)
Design of the electrical connection		screw-type terminals
Item designation		
<ul style="list-style-type: none"> • according to DIN 40719 extendable after IEC 204-2 • according to DIN EN 61346-2 		S B

Further information:

Information- and Downloadcenter (Catalogs, Brochures,...)

<http://www.siemens.com/industrial-controls/catalogs>

Global Industry Mall (Online ordering system)

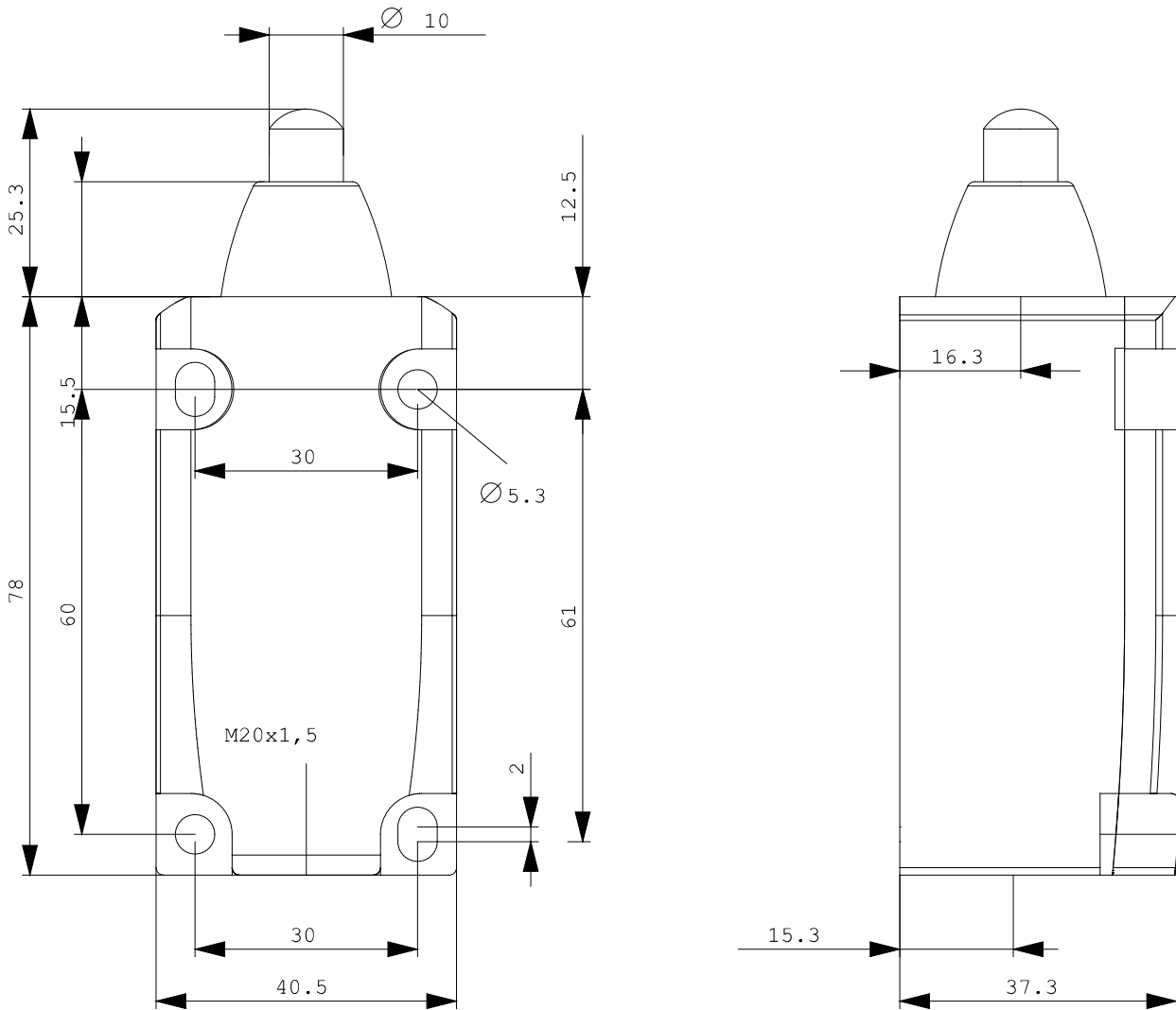
<http://www.siemens.com/industrial-controls/mall>

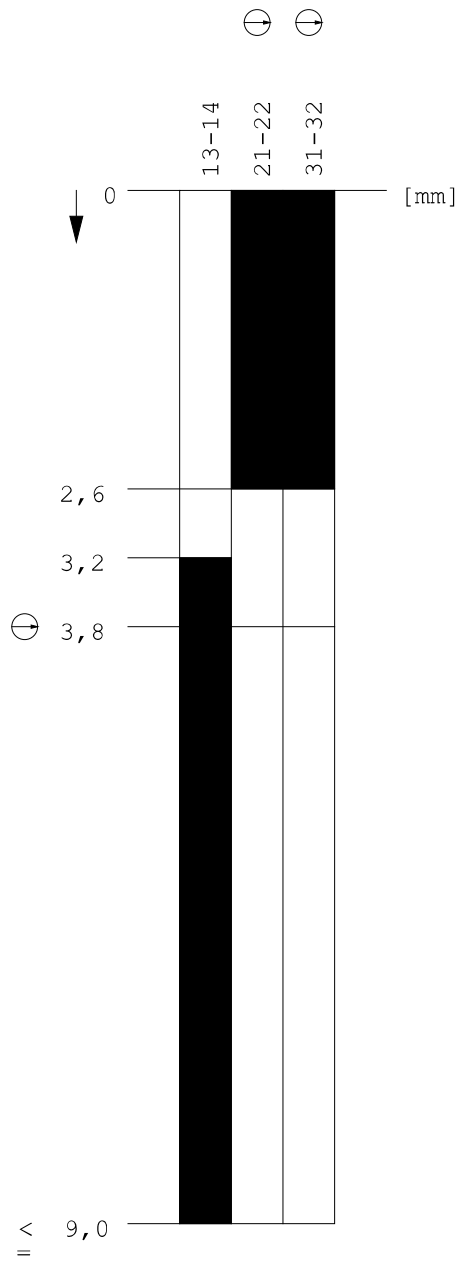
Service&Support (Manuals, Certificates, Characteristics, FAQs,...)

<http://support.automation.siemens.com/WW/view/en/3SE5112-0KC02/all>

Image database (product images, 2D dimension drawings, 3D models, device circuit diagrams, ...)

http://www.automation.siemens.com/bilddb/cax_en.aspx?mlfb=3SE5112-0KC02





last change:

Aug 16, 2010