



RS stock numbers : 725-9903, 725-9912, 725-9915, 756-4148
756-4157, 756-4150, 756, 756-4154



SSV66A-34N Series Drum level switches

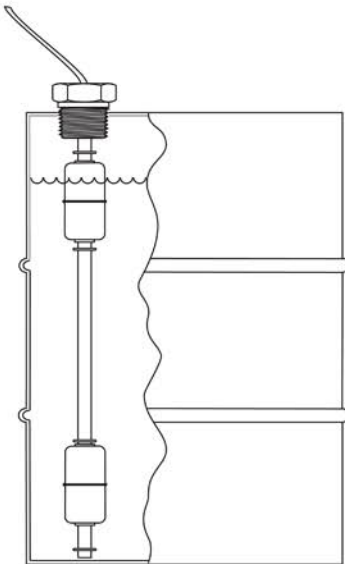


SSV66 series float switches are designed to offer High, Low or High & Low level monitoring for 45 gallon drums or similar height tanks.

These switches can be fitted from the outside of the drum, through the 3/4" NPT bung hole, or via a 3/4" NPT boss on a tank.

High level indication is at 24mm from the lower end of the mounting thread. Low level indication is at 813mm from the lower end of the mounting thread.

Switching actions can be changed by removing the respective float, inverting it and the refitting to the stem tube.



- 45 Gallon drum high/low levels
- External mount (3/4" NPT)
- Flying lead or 4 pin M12 connection
- High level 24mm, High level 84mm, Low level 813mm or High & Low levels
- Stainless steel 316L

Technical Specification

Mounting style	External	Cable length - standard	100cm/M12 Plug
Mounting thread	3/4" BSP	Cable size	17/0.10 - AWG22
Float & Stem material	316grade SS	Cable conductor material	Tinned copper
Maximum Temperature	120°C	Cable sheath material	Silicone
Maximum pressure	30 bar	Cable temperature rating	125°C
Float SG	0.84	Sealing gasket	Not supplied
Minimum fluid SG	0.85	Tightening torque for fixing nut	2.0kg/cm

Electrical Specification

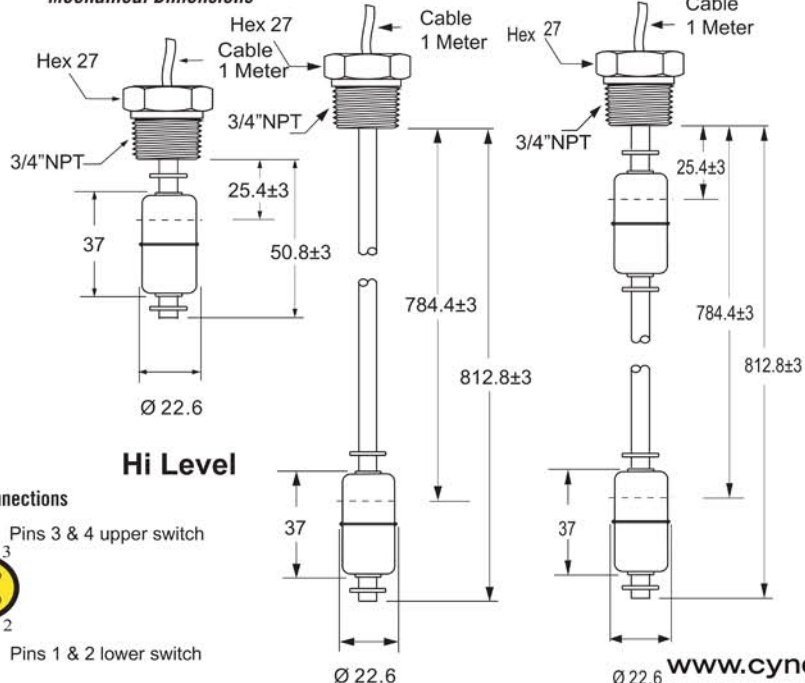
Contact Form	N/O (N/C)
Switching Power Max	VA 50
Switching Voltage AC Max	V 300
Switching Voltage DC Max	V 300
Switching Current Max	A 0.5

All ratings are for resistive load only.

RS Stock No	Standard Parts	Material	Levels	Leadouts
725-9903	SSV66A24E34N183	SS 316L	24mm	100cm Silicone 17/0.1
756-4148	SSV66A24E34NP	SS 316L	24mm	M12 Connector
756-4157	SSV66A84E34NP	SS 316L	84mm	M12 Connector
725-9912	SSV66A813E34N183	SS 316L	813mm	100cm Silicone 17/0.1
756-4150	SSV66A813E34NP	SS 316L	813mm	M12 Connector
725-9915	SSV66A24A813E34N183	SS 316L	24 & 813mm	100cm Silicone 17/0.1
756-4154	SSV66A24A813E34NP	SS 316L	24 & 813mm	M12 Connector

Custom versions can be made for particular applications. Please contact Cynergy3 with your requirements.

Mechanical Dimensions



Cynergy3 Components Ltd.
7 Cobham Road
Ferndown Industrial Estate
Wimborne, Dorset BH21 7PE
Telephone +44 (0) 1202 897969

Email: sales@cynergy3.com

ISO9001 CERTIFIED

www.cynergy3.com